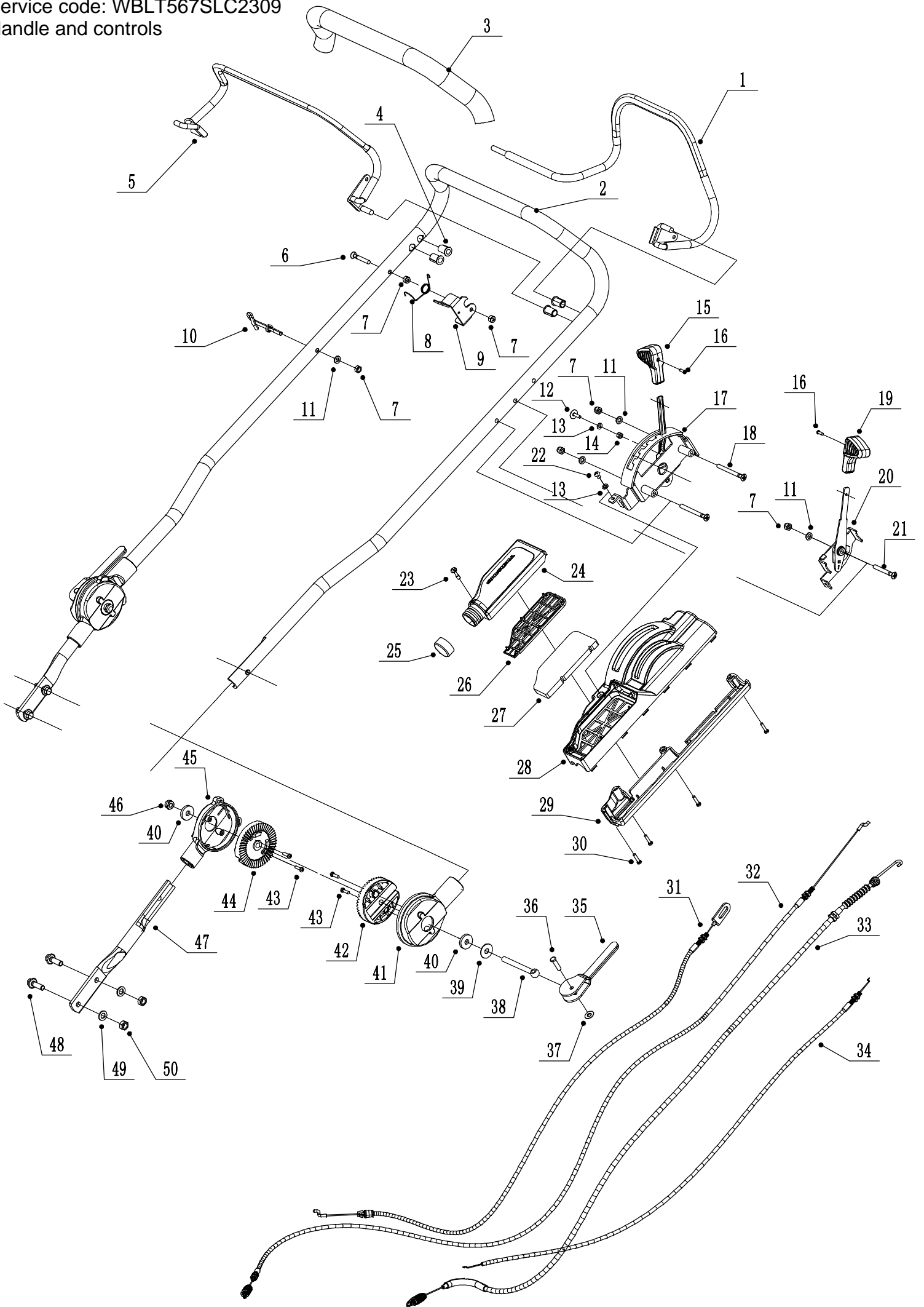
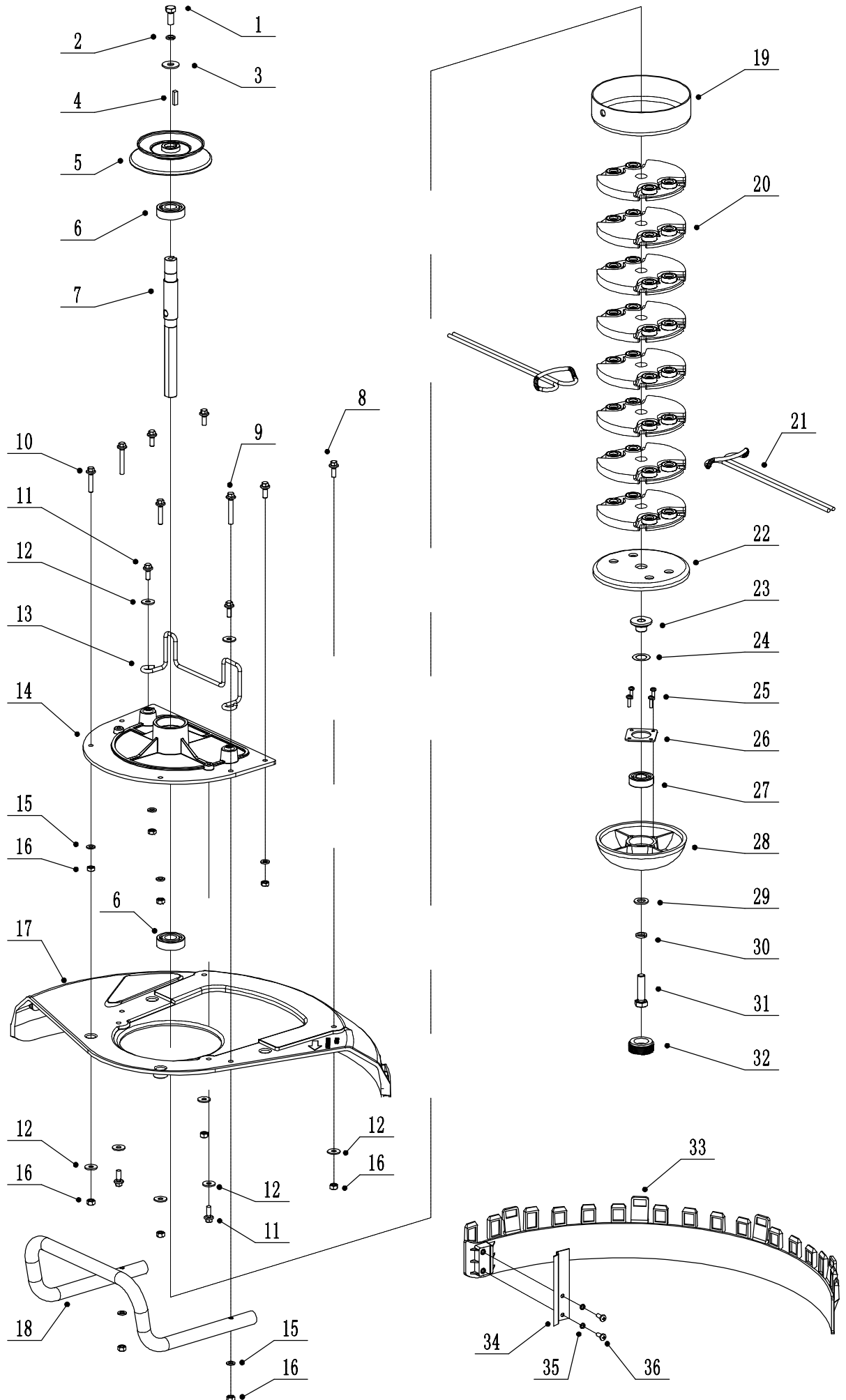


Model: WBLT567SLC  
Service code: WBLT567SLC2309  
Handle and controls



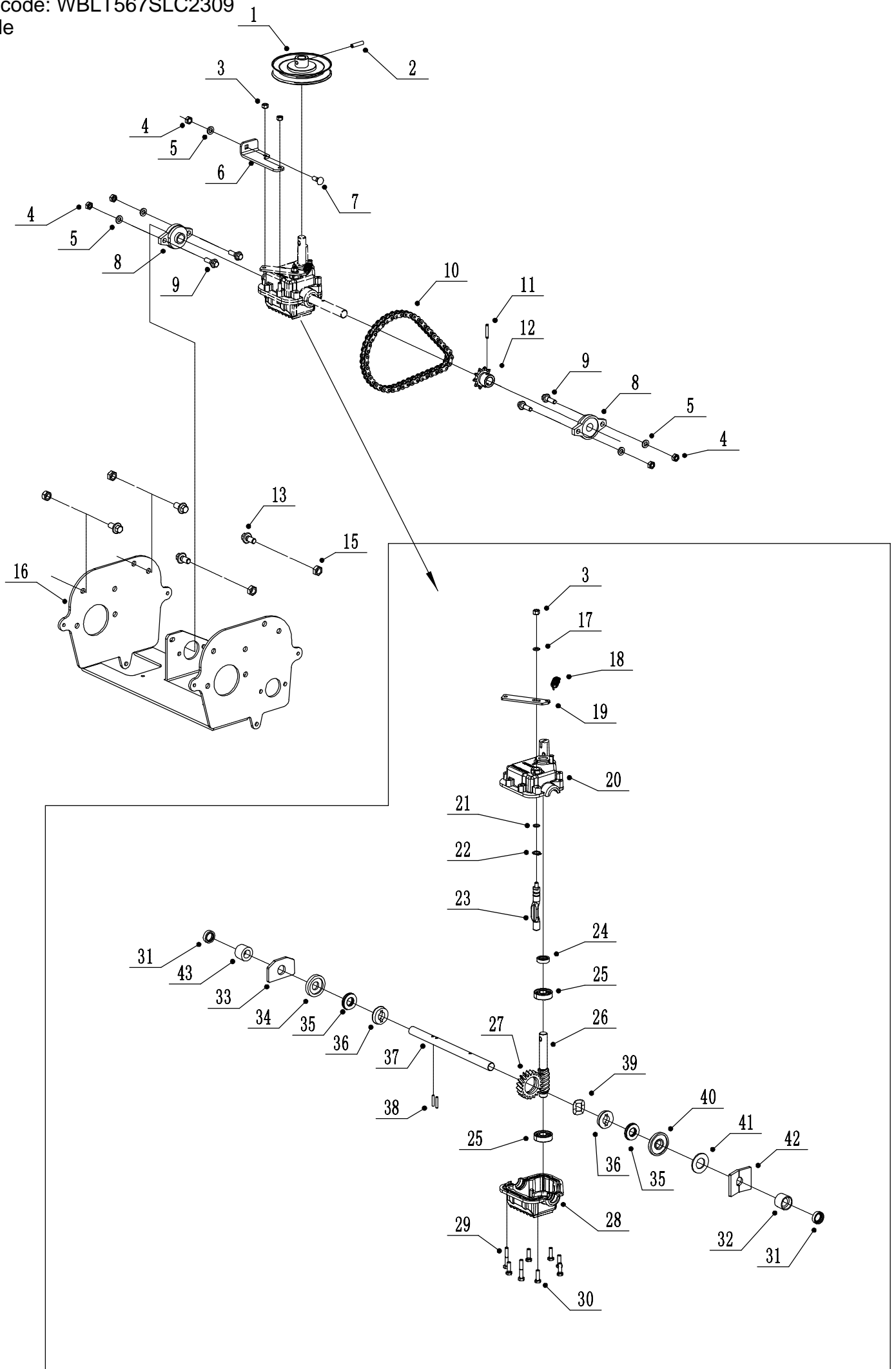
Lp	Kod	Nazwa	Ilość
1	LT56A010700000	Clutch handle	1
2	LT56AA01000/49	Upper handle	1
3	GM56E010000082	Handle sheath	1
4	76G506000	Handle wear sleeve	4
5	LT56AA02000/40	Blade disc handle	1
6	0108006035	Screw - M6*35	1
7	0202006000	Lock nut - M6	6
8	LT56AA03000/02	Spring for Location-limited Plate	1
9	LT56AA04000/49	Location-limited Plate	1
10	4510511010/01	Cable hook	1
11	0301006000	Flat washer - $\phi$ 6	4
12	5360506011	Bolt	1
13	0301005000	Flat washer - $\phi$ 5	2
14	0202005000	Lock nut - M5	1
15	5380508010	Speed regulating grip	1
16	0106003013	Screw - ST2.6*13	2
17	LT56AA05000A1	Speed regulating bracket	1
18	0108006060	Screw - M6*60	2
19	5380510010	Throttle grip	1
20	5380512010	Throttle bracket	1
21	0108006045	Screw - M6*45	1
22	0104005012	Screw - M5*12	1
23	0106005018B	Screw - M5*18	1
24	KL00-LC1P70	Air Filter Base	1
25	LT56AA06000	Cover	1
26	KL02-LC1P70	Air filter screen	1
27	KL04-LC1P70	Air Filter Sponge	1
28	KL05-LC1P70	Cable Upper Cover	1
29	5020501040S	Speed regulating Box Lower Cover	1
30	0113040018	Screw - PT4*18	4
31	LT56AA07000A1	Speed regulating cable	1
32	LT56AA08000B1	Blade disc cable	1
33	LH220-1030	Clutch cable	1
34	LT56AA10000	Throttle cable	1
35	GM56A100400000	Quick release handle	2
36	0801008025	Pin - 8x25	2
37	4510114030	Fix Cap	2
38	GM56A100000030/02	Connecting Bolt	2
39	GM56A100000040/04	Spacer	2
40	GM56A100000050/02	Spacer	4
41	GM56A100100000	Inner Tooth Disc Kit	2
45	GM56A100200000	Outside Tooth Disc Kit	2
46	0203008000	Lock nut - M8	2
47	LT56AA11000/22	Lower handle	2
48	0102008025	Bolt - M8*25	4
49	0301008000	Flat washer - $\phi$ 8	4
50	0202008000	Lock nut - M8	4

Model: WBLT567SLC  
Service code: WBLT567SLC2309  
Mowing part



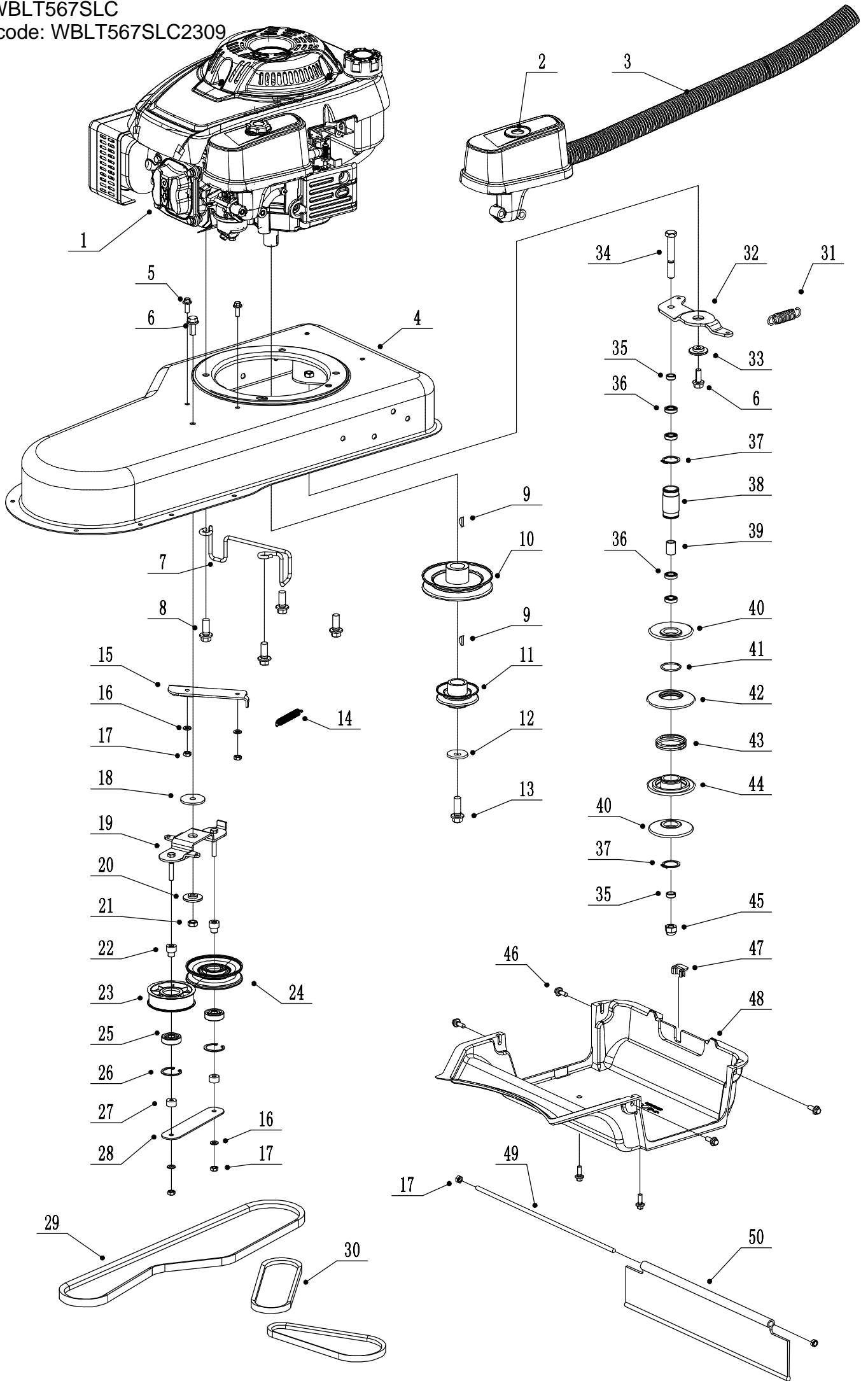
Lp	Kod	Nazwa	Ilość
1	0101008020	Bolt - M8*20	1
2	0401008000	Spring washer - $\phi$ 8	1
3	0302008000	Big washer - $\phi$ 8	1
4	1101005020	Key - 5*5*20	1
5	LT56AB01000/02	Pulley	1
6	6203-2RS	Bearing	2
7	LT56AB02000/02	Shaft	1
8	0102006016	Bolt - M6*16	4
9	0102006040	Bolt - M6*40	2
10	0102006030	Bolt - M6*30	2
11	4820104011	Screw - M6*15	4
12	0302006000	Big washer - $\phi$ 6	8
13	LT56AB03000B1/02	Belt frame	1
14	LT56AB04000	Bearing base	1
15	0301006000	Flat washer - $\phi$ 6	6
16	0202006000	Lock nut - M6	10
17	LT56AB05000	guard	1
18	LT56AB06000/40	Handle	1
19	LT56AB07000/01	Upper protective bowl	1
20	LT56AB08000	splint	8
21	LT56AB09000	TRIMMER LINE	2
22	LT56AB10000B1/01	Protecting cover	1
23	LT56AB11000/02	Spacer sleeve	1
24	LT56AB17000	Dust ring	1
25	0113040014	Screw - PT4*14	4
26	LT56AB12000/02	splint	1
27	6202-2RS	Bearing	1
28	LT56AB13000	Lower protective bowl	1
29	0301010000	Flat washer - $\phi$ 10	1
30	0401010000	Spring washer - $\phi$ 10	1
31	0101010040	Bolt - M10*40	1
32	LT56AB14000	Plug screw	1
33	LT56AB15000	Protective plate	1
34	LT56AB16000/04	Twine knife	1
35	0401005000	Spring washer - $\phi$ 5	2
36	0104005012	Screw - M5*12	2

Model: WBLT567SLC  
Service code: WBLT567SLC2309  
Rear axle



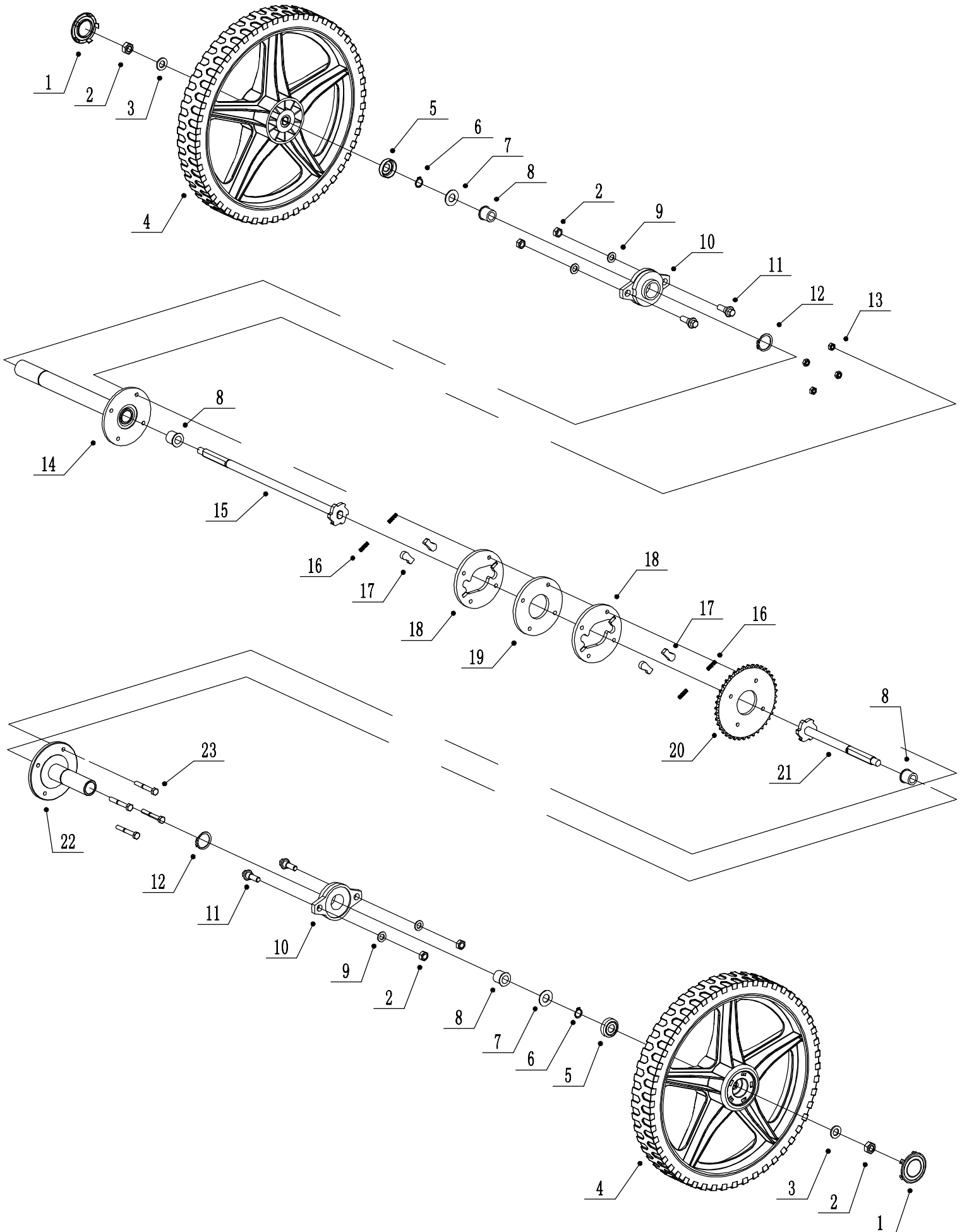
Lp	Kod	Nazwa	Ilość
1	LT56AC01000/02	Transmission pulley	1
2	0701005020	Pin - 5*20	1
3	0202005000	Lock nut - M5	3
4	0202006000	Lock nut - M6	5
5	0301006000	Flat washer - $\phi$ 6	4
6	LT56AC02000/02	Transmission fixing bracket	1
7	0107006014	Bolt - M6*14	1
8	KFL001-8	Bearing	2
9	LT56AC03000/02	Step bolt - M6*20	4
10	06B0146B1	Chain	1
11	0701004020	Pin - 4*20	1
12	LT56AC04000/02	Sprocket A	1
13	0102008020	Bolt - M8*20	4
15	0202008000	Lock nut - M8	4
16	LT56AC05000A1/22	Wheel bridge	1
17	0302005000	Big washer - $\phi$ 5	1
18	HQ10109010	Spring	1
19	HQ10108010/02	pull arm	1
20	HQ10101010	Upper shell	1
21	HQ10107011	Sealing ring	1
22	1001010000	Circlip - 10	1
23	HQ10106010/04	Shaft	1
24	HQ10105010	Sealing ring	1
25	6001-2RS	Bearing	2
26	HQ10103030	worm	1
27	HQ10119020	worm gear	1
28	HQ10102010	Lower shell	1
29	0101005030A	Screw - M5*30	2
30	0101005018A	Screw - M5*16	6
31	HQ10110011	Sealing ring	2
32	HQ10111020	Right plastic bearing	1
33	HQ10121010/02	Spacer	1
34	HQ10120010	Plastic spacer A	1
35	HQ10116010	Bearing	2
36	HQ10117010	Tapered Bushings	2
37	LT56AC06000/00	Transmission shaft	1
38	HQ10118010	Pin	2
39	HQ10141010	Wave washer	1
40	HQ10114010	Plastic spacer B	1
41	HQ10113010/02	Spacer	1
42	HQ10112010/02	Compression plate	1
43	HQ10111010	Left plastic bearing	1

Model: WBLT567SLC  
Service code: WBLT567SLC2309  
Chassis



Lp	Kod	Nazwa	Ilość
1	LC1P70FC	Engine	1
2	180020920-0001	Air filter	1
3	KL03-LC1P70	Air filter tube	1
4	LT56AD01000/49	Chassis	1
5	0102006016	Bolt - M6*16	2
6	0102008020	Bolt - M8*20	2
7	LT56AD02000A1/02	Frame	1
8	5320115010	Screw	4
9	4510401010	Key	2
10	LT56AD03000/02	Engine big pulley	1
11	LT56AD04000/02	Engine small pulley	1
12	5310414010/04	Spring	1
13	5310415020	Central - 3/8-24*30	1
14	LT56AD05000/02	Tensioner spring	1
15	LT56AD06000/02	Cable bracket	1
16	0301006000	Flat washer - $\phi$ 6	4
17	0202006000	Lock nut - M6	6
18	LT56AD19000/02	Flat washer	1
19	LT56AD07000/02	Tensioner fixing plate	1
20	LT56AD08000/02	Tensioner fixing sleeve	1
21	0202008000	Lock nut - M8	1
22	LT56AD09000/02	Tensioner axle sleeve	2
23	LT56AD10000	Tensioner pulley	1
24	SW8012/04	Tensioner pulley	1
25	6200-2RS	Bearing	2
26	0901030000	Circlip - 30	2
27	LT56AD11000/02	Tensioner spacer sleeve	2
28	LT56AD12000/02	Tensioner plate	1
29	LT56AD20000	Belt	1
30	VB4809/485G	Belt	2
31	4820114010	Tensioner spring	1
32	LT56AD13000/02	Pulley mounting plate	1
33	GM56A020000080/02	T-shaped sleeve	1
34	GM56A020000090	Tensioner bolt	1
35	GM56A020000030/02	Spacer sleeve 1	2
36	61800-2RS	Bearing	4
37	1001024000	Circlip - 24	2
38	GM56A020000040/02	Pulley connecting sleeve	1
39	GM56A020000060/02	Spacer sleeve 2	1
40	GM56A020000010/06	Upper upper pulley piece	2
41	GM56A020100030	Check ring	1
42	GM56A020100010	Middle pulley piece	1
43	GM56A020100020	Spring	1
44	GM56A020100040	Middle lower pulley piece	1
45	0202010000	Lock nut - M10	1
46	4820104011	Screw - M6*15	6
47	LT56AD14000	Baffle	1
48	LT56AD15000	Lower shield	1
49	LT56AD16000/02	Hanging rod	1
50	LT56AD17000A1	Hanging skin	1

Model: WBLT567SLC  
Service code: WBLT567SLC2309  
Axle



Lp	Kod	Nazwa	Ilość
1	LT56AE01000	Wheel cap	2
2	0202008000	Lock nut - M8	6
3	0302008000	Big flat washer - $\phi$ 8	2
4	LT56AE02000	Wheel	2
5	LT56AE14000/40	Plastic bearing	2
6	1001013000	Circlip - 13	2
7	HQ10115010	Bearing spacer	2
8	LT56AE03000	Plastic bearing	4
9	0301008000	Flat washer - $\phi$ 8	4
10	KFL005	Bearing	2
11	76EC03010B1/02	Step bolt - M8*25	4
12	1001025000	Circlip - 25	2
13	0202006000	Lock nut - M6	4
14	LT56AE05000/02	Sleeve B	1
15	LT56AE06000B1/02	Shaft B	1
16	LT56AE07000	Pawl spring	4
17	LT56AE08000/04	Pawl	4
18	LT56AE09000/02	Pawl positioning plate	2
19	LT56AE10000/02	Pawl clamp plate	1
20	LT56AE11000/02	Sprocket B	1
21	LT56AE12000B1/02	Shaft A	1
22	LT56AE13000/02	Sleeve A	1
23	0101006045	Bolt - M6*45	4