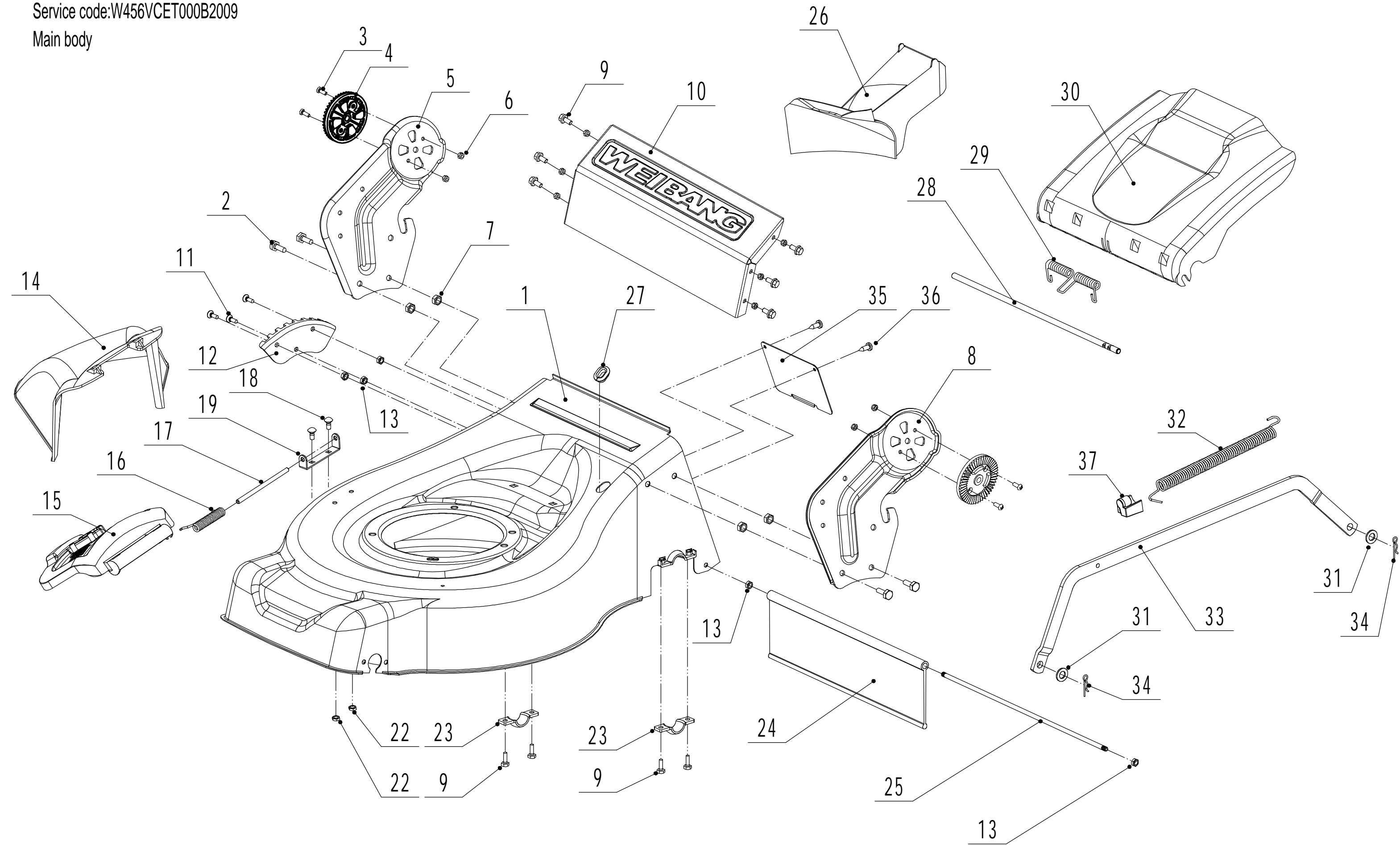


Model:WB456SCVE-3IN1

Service code:W456VCET000B2009

Main body

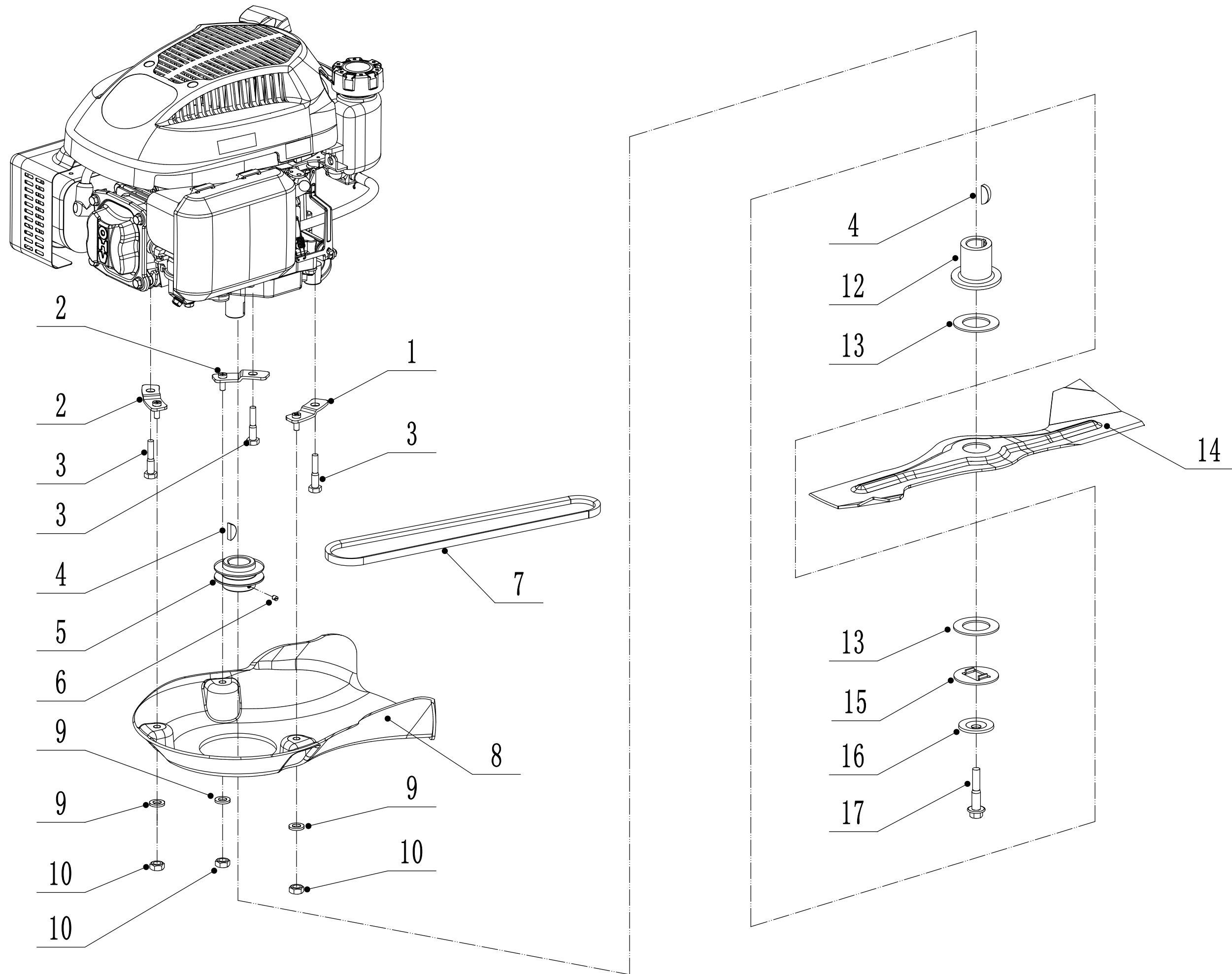


Order	Part Number	Name_English	Quantity
1	4560101004/49	Chassis	1
2	0102008016	Bolt - M8x16	4
3	0104005012	Screw - M5x12	4
4	AVSA000000040/22	Tooth Disc	2
5	4560112010K/40	Right Bracket	1
6	0202005000	Lock Nut - M5	4
7	0202008000	Lock Nut - M8	4
8	4560111010K/40	Left Bracket	1
9	0102006012	Bolt - M6x12	10
10	4560111030K/49	Connector	1
11	0104006016	Screw - M6x16	3
12	4560110010/01	Graduator	1
13	0202006000	Lock Nut - M6	9
14	4560108010	Side Discharge Deflector	1
15	4560107012	Side Discharge Cover Kit	1
16	5020119010	Spring - Side Discharge Cover	1
17	5020120010/02	Pivot - Side Discharge Cover	1
18	0107006014	Bolt - M6x14	2
19	5020118010/02	Side Discharge Cover Bracket	1
22	0204006000	Lock Nut - M6	2
23	5320114020/02	Upper Bearing Bracket	2
24	4320119010	Trailing Flap	1
25	4320118010/02	Pivot - Trailing Flap	1
26	4560104010	Mulching Plug	1
27	5360122010	Rubber Ring	1
28	4560106010/02	Rear Cover Pivot	1
29	5360118010	Rear Cover Spring	1
30	4560105010	Rear Cover	1
31	0301010000	Flat Washer - M10	2
32	WB2100020102	Spring - Connecting Rod	1
33	4560109011/40	Connecting Rod	1
34	5320333010	Check Ring	2
35	5360105010D/49	Baffle	1
36	0106004009	Screw - 4.2x9.5	2
37	4560109012	Spring Bracket	1

Model:WB456SCVE-3IN1

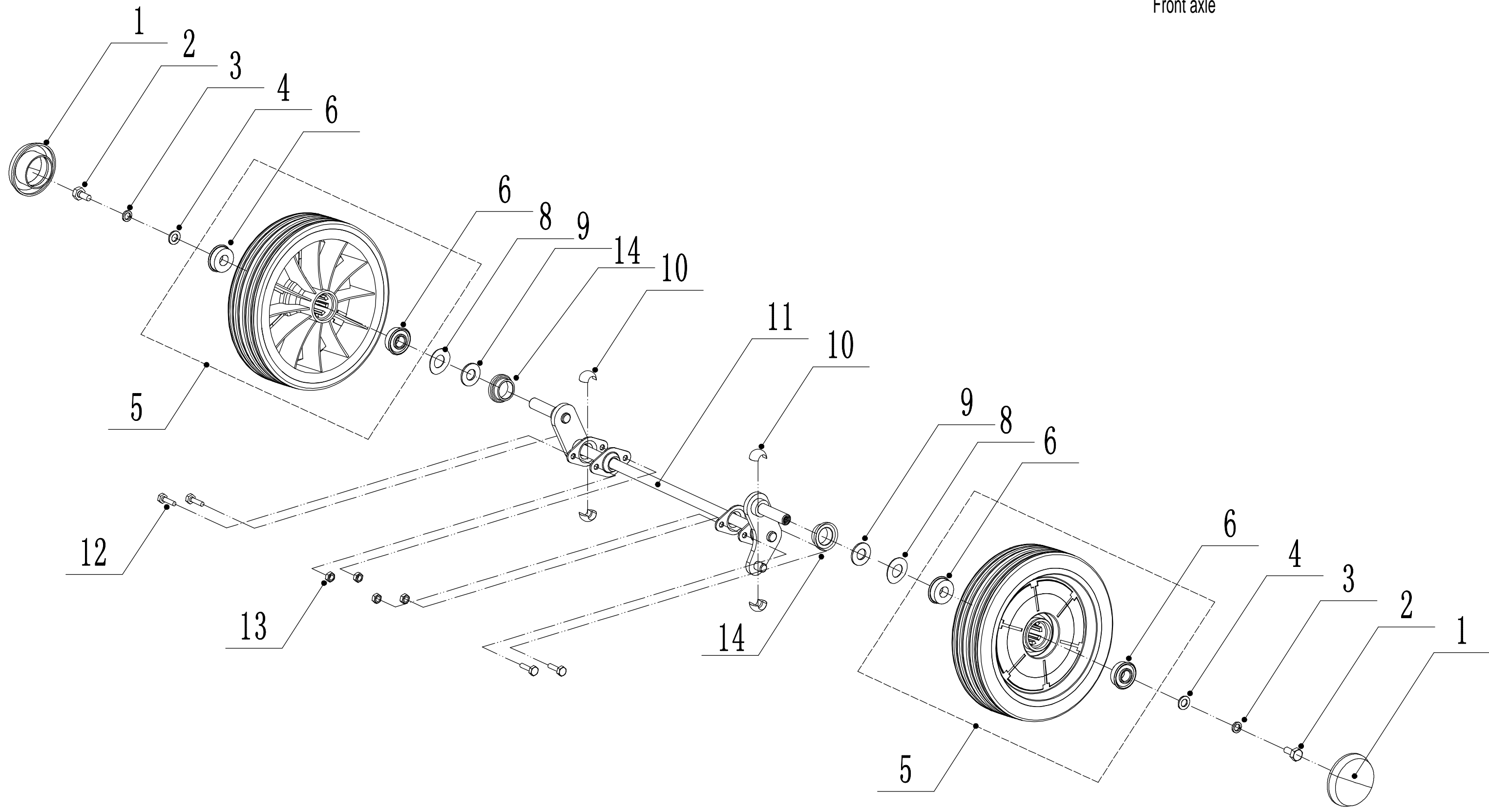
Service code:W456VCET000B2009

Blade system



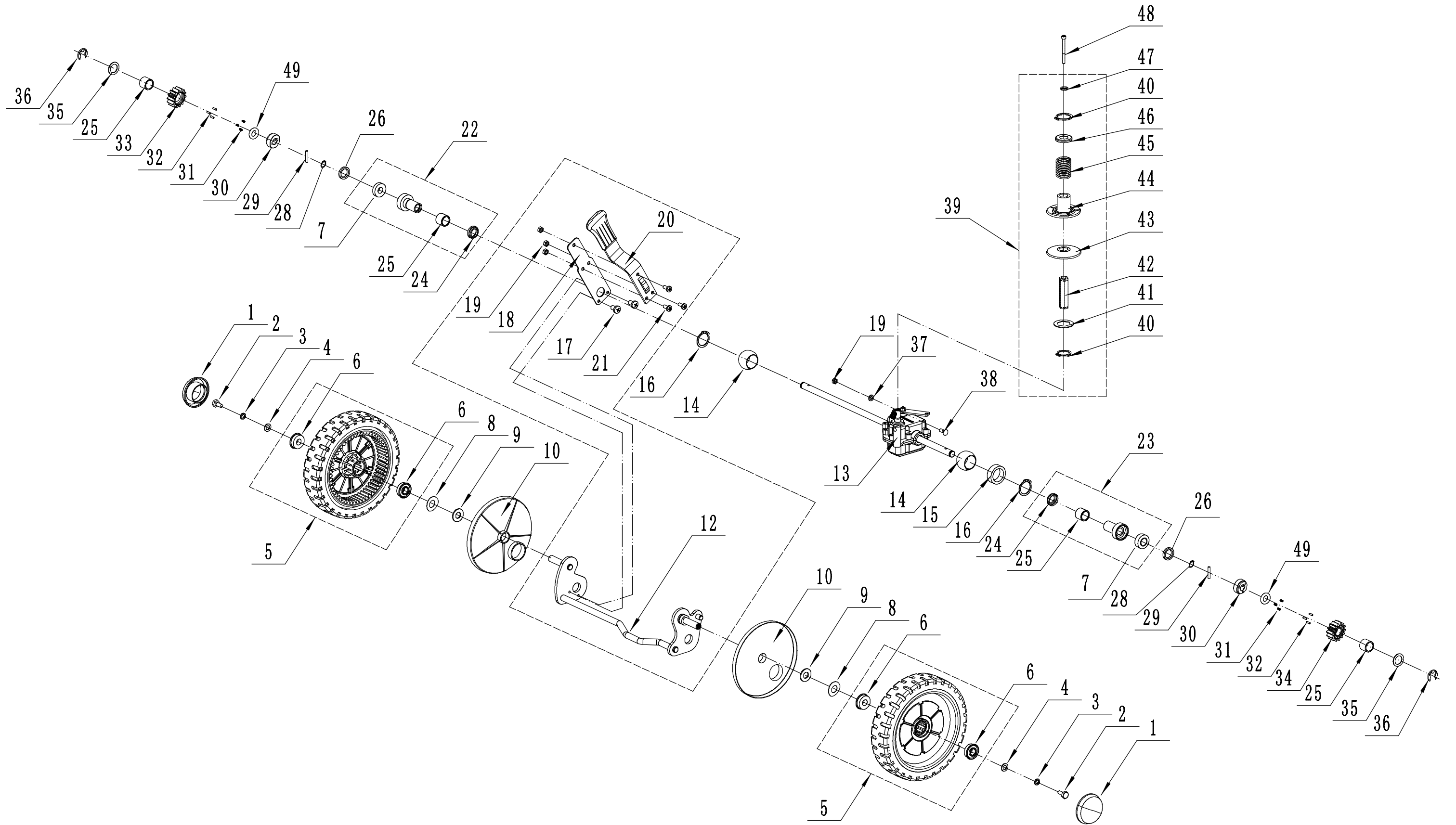
Order	Part Number	Name_English	Quantity
1	5360111010/02	Engine Washer 1	1
2	5360112010/02	Engine Washer 2	2
3	5320115010	ST screw - 3/8x16x25	3
4	4510401010	Key	2
5	4560402040/02	Engine Pulley	1
6	0105006006	Locking Screw	1
7	4560114010	V Belt - V10x815 (30°)	1
8	4560102010	Belt Shield	1
9	0302006000	Big Flat Washer	3
10	0202006000	Lock Nut - M6	3
12	5320404020/02	Adaptor	1
13	5310402010	Friction Washer	2
14	4510403010A/32	Blade	1
15	5310404010/02	Lock Disc	1
16	5310406010/04	Dish Washer	1
17	5320405011	Central Bolt - 3/8x24x55	1

Model:WB456SCVE-3IN1
Service code:W456VCET000B2009
Front axle



Order	Part Number	Name_English	Quantity
1	GM53D060000030	Wheel Cap	2
2	0101008015	Bolt - M8x15	2
3	0401008000	Spring Washer	2
4	301008000	Flat Washer	2
5	4560206050/40	Wheel	2
6	5310213010	Bearing	4
8	5310211010/02	Spacer	2
9	5310210010/02	Axis Washer	2
10	5310209010	Ball Bearing	4
11	4560201010/01	Front Axle	1
12	0102006012	Bolt - M6x12	4
13	0202006000	Lock Nut - M6	4
14	GM53D040000070	waterproof ring	2

Model:WB456SCVE-3IN1
Service code:W456VCET000B2009
Rear axle

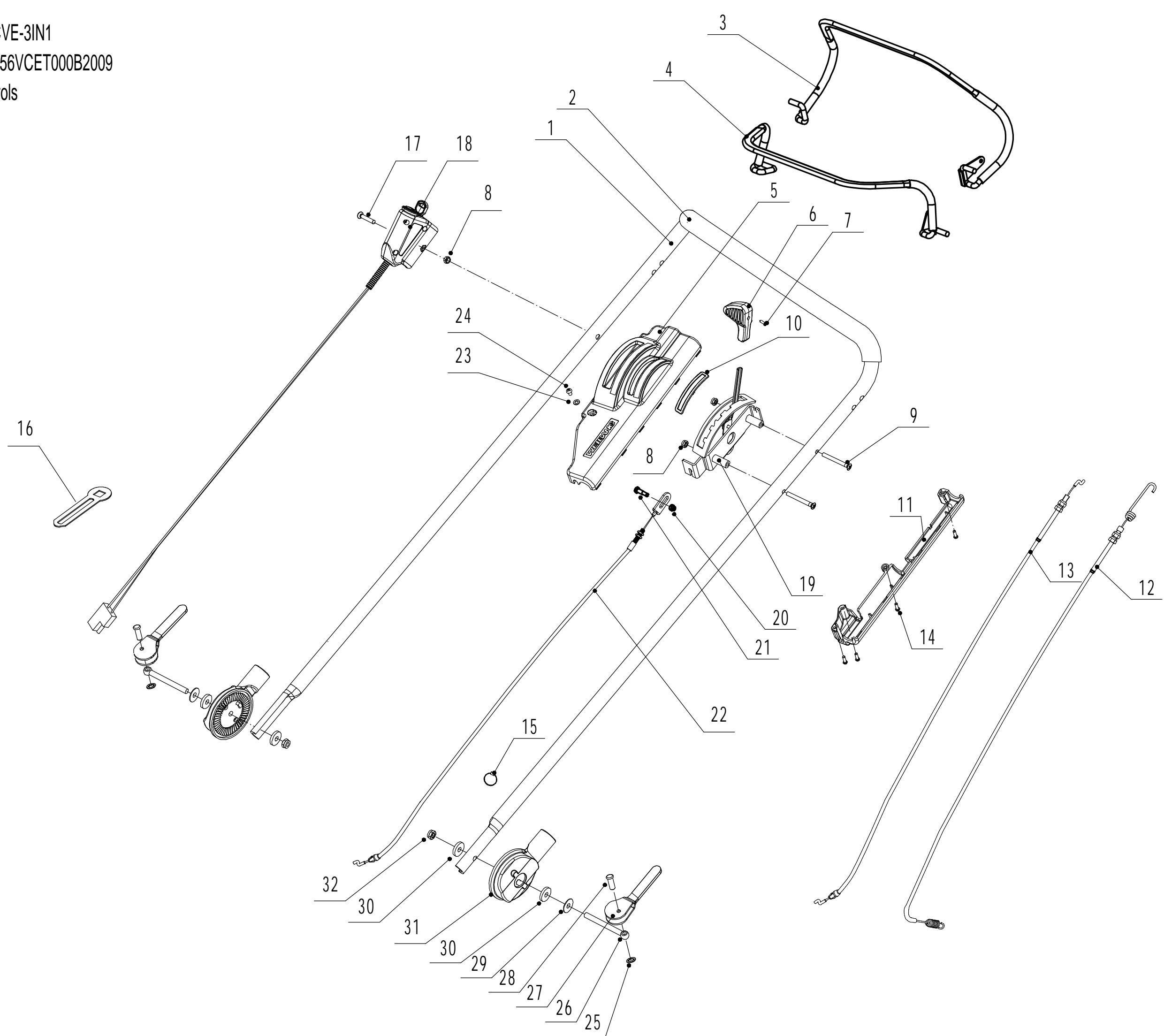


Order	Part Number	Name_English	Quantity
1	GM53D060000030	Wheel Cap	2
2	0101008015	Bolt - M8x15	2
3	0401008000	Spring Washer - M8	2
4	0301008000	Flat Washer - M8	2
5	GM53D0600000000	Wheel	2
6	5310213010	Bearing	4
7	R8-2RS	Bearing	2
8	5310211010/02	Spacer	2
9	5310210010/02	Axis Washer	2
10	5340312010	Anti-Dust Shield	2
12	4560301010/01	Rear Axle	1
13	Y20456V0P	Gearbox Assembly	1
14	5320328010	Nylon Spherical Bearing	2
15	5320329010/02	Rear Axle Partition	1
16	1001020000	Check Ring For Shaft	2
17	0113005008	Screw - M5x8	2
18	5360311010/22	Spring Of Adjustment Lever	1
19	0202006000	Lock Nut - M6	3
20	5360310010/40	Adjustment Lever	1
21	0101006014	Bolt - M6x14	3
22	Y065321	Left Bearing Sheath Assembly	1
23	Y065320	Right Bearing Sheath Assembly	1
24	5320327010	Dustproof Ring	2
25	5320326010P	Bearing	4
26	GM48S010000010	Spacer	2
28	1001012000	Check Ring For Shaft	2
29	HQ000100060	Pin For Ratchet	2
30	HQ000100050	Ratchet	2
31	HQ000100040	Spring	6
32	HQ000100030	Pin	6
33	HQ000100020	Right Drive Pinion	1
34	HQ000100010	Left Drive Pinion	1
35	5020311010/04	Anti-friction Mat	2
36	1301009000	Check Ring - M9	2
37	0301006000	Flat Washer - M6	1
38	0107006014	Square Neck Bolt - M6x14	1
39	Y115380	Transmission Assembly	1
40	1001017000	Check Ring For Shaft	2
41	4820320010/02	Inner Hex Washer	1
42	4820321010/02	Hex Adaptor	1
43	5380309010	Lower Pulley Disc	1
44	5380308010	Active Pulley Disc	1
45	4820324010	Pressing Spring	1
46	4820325010/02	Spring Cap	1
47	0401005000	Spring Washer - M5	1
48	0103005055	Inner Hex Bolt - M5x55	1
49	1401025015	O-Sealing Ring	2

Model:WB456SCVE-3IN1

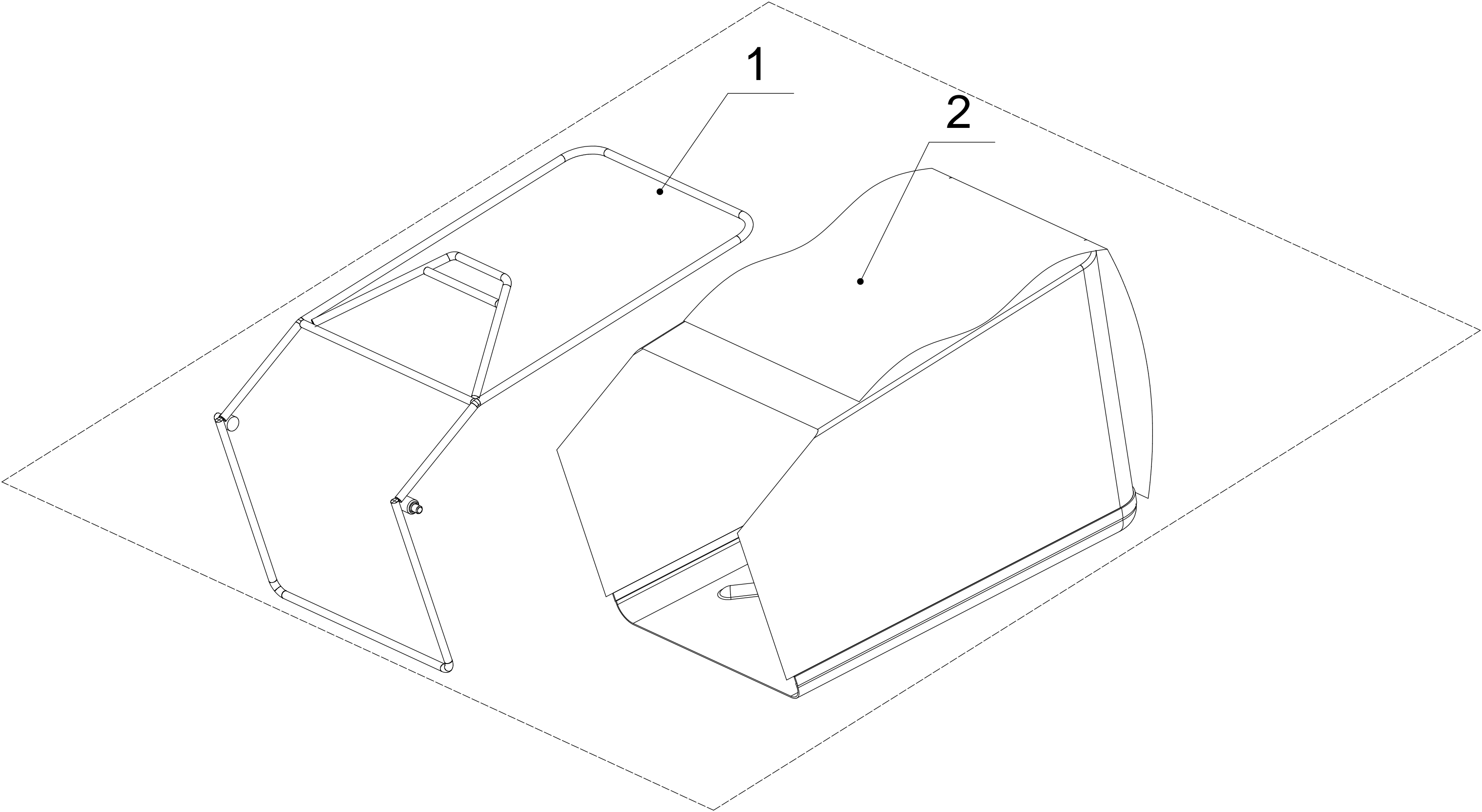
Service code:W456VCET000B2009

Handle and controls



Order	Part Number	Name_English	Quantity
1	4560115010E/49	Handle	1
2	GM56E010000082	Handle Sheath	1
3	5020506030S/40	Clutch Lever Weldment	1
4	5020503020S/40	Brake Lever Weldment	1
5	5020501030S	Control Box Upper Cover	1
6	5380508010	Speed Control Grip	1
7	0106003013	Screw - ST2.9x13	1
8	0202006000	Lock Nut - M6	3
9	0108006060	Screw - M6x60	2
10	GM48H010000020	throttle cover	1
11	5020501040S	lower cover	1
12	LH194-1195	Clutch Cable	1
13	BS120-1230	Brake Cable	1
14	0113040018	Screw	4
15	ZD8/200	Cable tie	3
16	40E0109000	Pressing Cable Bracket	1
17	0108006030	Cross Slot bolt	1
18	YJQD/504	Button Start Assembly	1
19	5360505010K	Speed Control Bracket	1
20	0202005000	Lock Nut - M5	1
21	5360506011	Speed Control Cable Bolt	1
22	TX130-1035-A	Speed Control Cable	1
23	0301005000	Washer	1
24	0104005012	Screw - M5x12	1
25	4510114030	Fix Cap	2
26	GM48S000000100	Connecting Bolt	2
27	GM56A100400000	Lock Lever	2
28	0801008025	Axis Pin	2
29	GM56A100000040/04	Spacer	2
30	GM56A100000050/02	Spacer	4
31	GM48S030200000	Tooth Disc Kit	2
32	0203008000	Lock Nut - M8	2

Model:WB456SCVE-3IN1
Service code:W456VCET000B2009
Grass and catcher

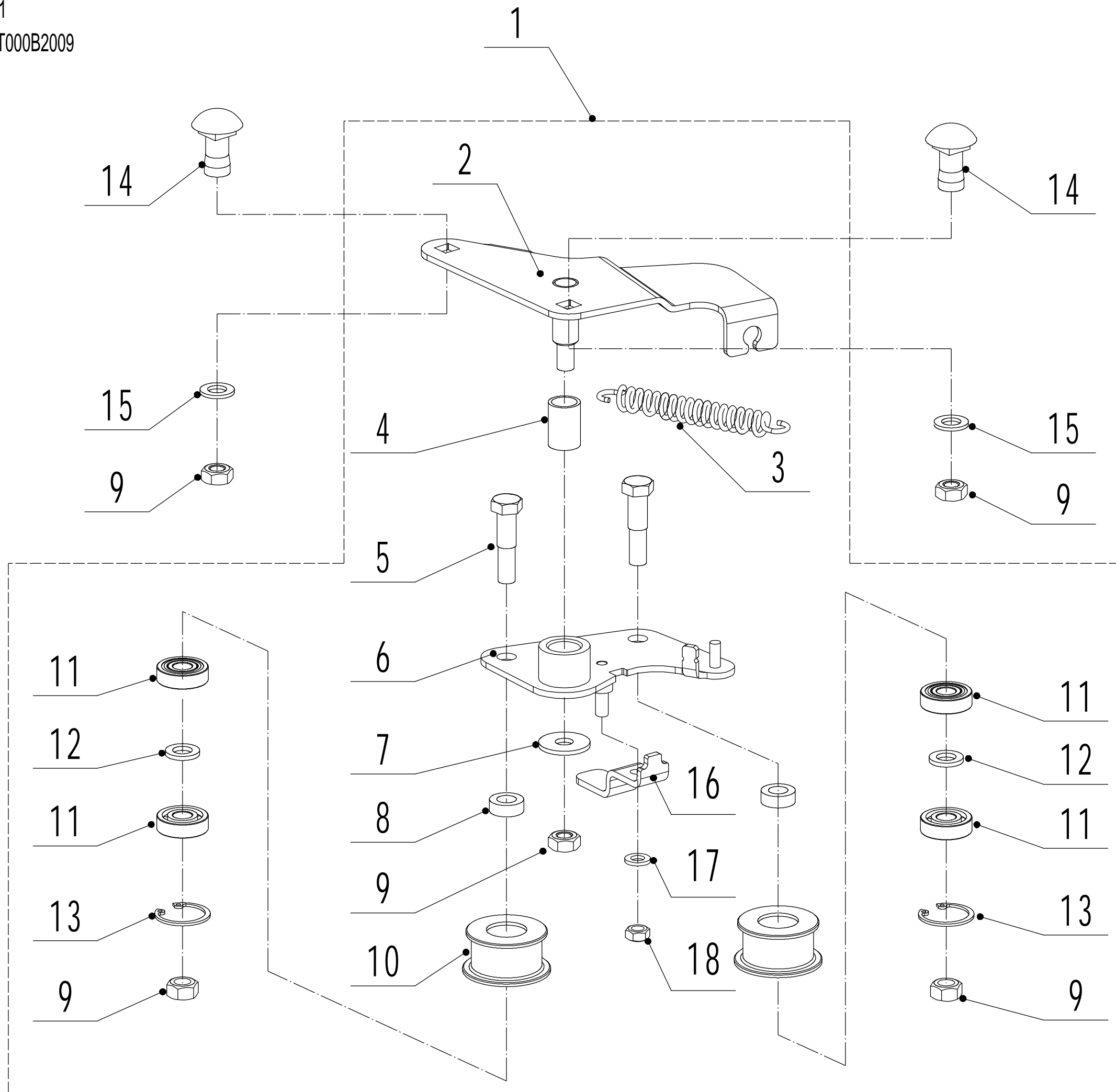


Order	Part Number	Name_English	Quantity
1	4560602010/22	Grass Catcher Frame	1
2	4560603010/84	Grass Bag	1

Model:WB456SCVE-3IN1

Service code:W456VCET000B2009

Variable Speed Pulley



Order	Part Number	Name_English	Quantity
1	Y094560A1	Tensional Pully Assembly	1
2	5040114010A1/02	Tensional Arm Bracket	1
3	4820114010	Tensional Spring	1
4	4820112010	Nylon Bush	1
5	5340131010/02	Tensional Pulley Bolt	2
6	5040115010A1/02	Tensional Arm Weldment	1
7	0302008000	Big Flat Washer - M8	1
8	5340129010/02	Spacer1	2
9	0202008000	Lock Nut - M8	5
10	5340128010	Tensional Pulley	2
11	609/2RS	Bearing	4
12	5340130010/02	Spacer2	2
13	1001024000	Check Ring For Shaft	2
14	0107008016	Square Neck Bolt - M8x16	2
15	0301008000	Flat Washer - 8	2
16	5040122010/02	Belt limit plate	1
17	0301006000	Flat Washer - 6	1
18	0202006000	Nut - M6	1