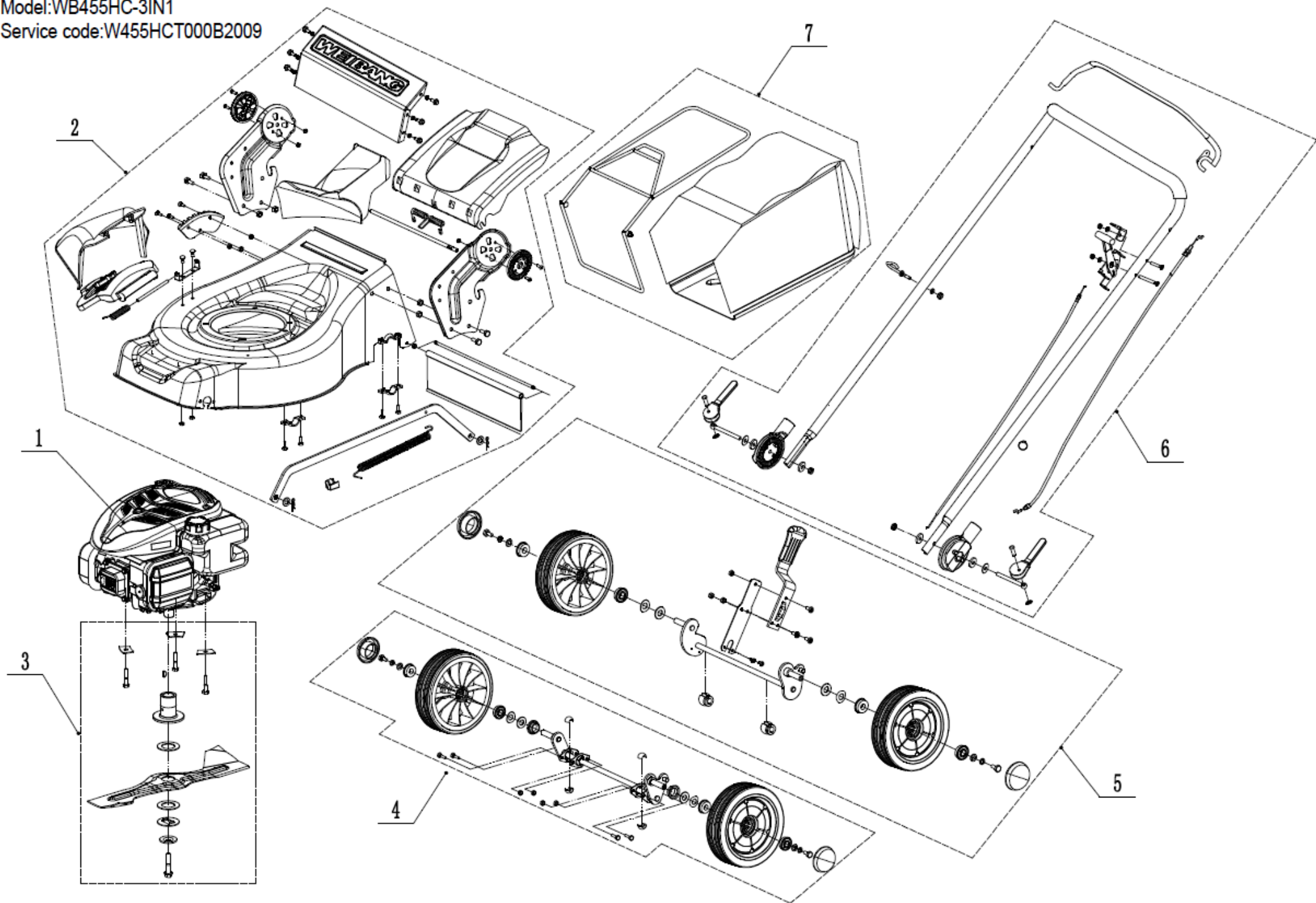
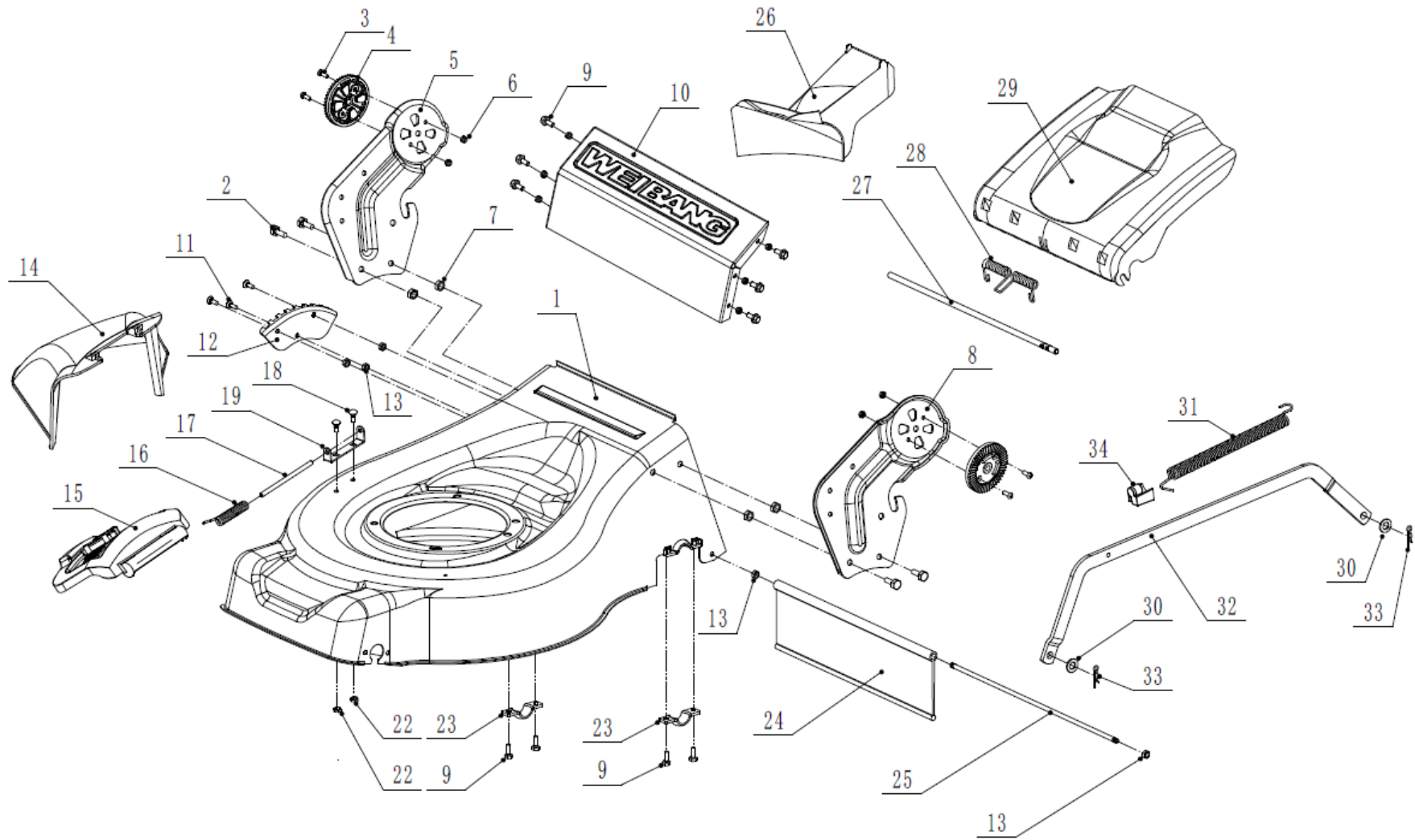


Model:WB455HC-3IN1
Service code:W455HCT000B2009



| Subassembly Code | Name_English | Parts List |
|------------------|--------------|---------------------|
| 1 | | Engine |
| 2 | | Main Body |
| 3 | | Blade System |
| 4 | | Front Axle |
| 5 | | Rear Axle |
| 6 | | Handle And Controls |
| 7 | | Grass Catcher |

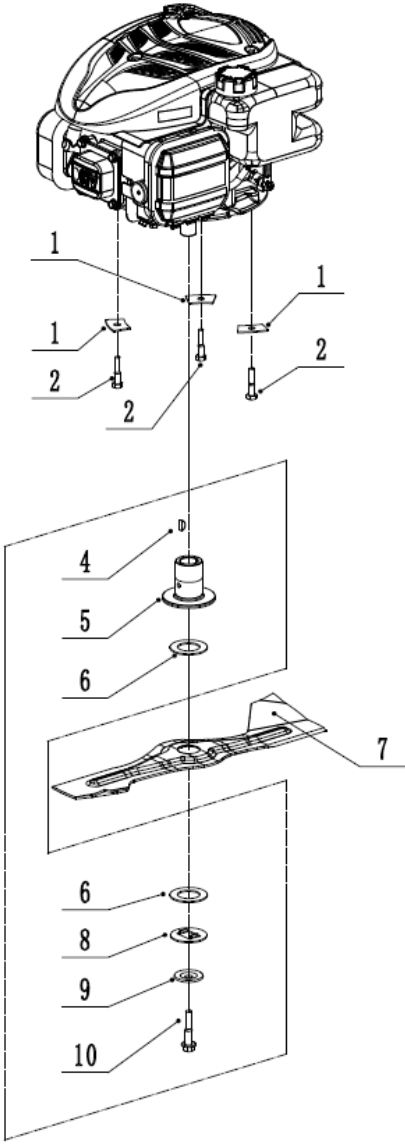
Model:WB455HC-3IN1
Service code:W455HCT000B2009
Main body



| Order | Part Number | Name_English | Quantity |
|--------------|--------------------|------------------------------|-----------------|
| 1 | 4560101001/49 | Deck Shell | 1 |
| 2 | 0102008016 | Bolt - M8x16 | 4 |
| 3 | 0104005012 | Screw - M5x12 | 4 |
| 4 | AVSA000000040/22 | Tooth Disc | 2 |
| 5 | 4560112010K/40 | AVS Bracket - R/H | 1 |
| 6 | 0202005000 | Lock Nut- M5 | 4 |
| 7 | 0202008000 | Lock Nut- M8 | 4 |
| 8 | 4560111010K/40 | AVS Bracket - L/H | 1 |
| 9 | 0102006012 | Bolt - M6x12 | 10 |
| 10 | 4560111030/49 | Connector | 1 |
| 11 | 0104006016 | Screw - M6x16 | 3 |
| 12 | 4560110010/01 | Graduator | 1 |
| 13 | 0202006000 | Lock Nut - M6 | 11 |
| 14 | 4560108010 | Side Discharge Deflector | 1 |
| 15 | 4560107012 | Side Discharge Cover Kit | 1 |
| 16 | 5020119010 | Side Discharge Cover Spring | 1 |
| 17 | 5020120010/02 | Side Discharge Cover Pivot | 1 |
| 18 | 0107006014 | Bolt | 2 |
| 19 | 5020118010/02 | Side Discharge Cover Bracket | 1 |
| 22 | 0204006000 | Lock Nut | 2 |
| 23 | 5320114020/02 | Upper Bearing Bracket | 2 |
| 24 | 4320119010 | Trailing Flap | 1 |
| 25 | 4320118010/02 | Trailing Flap Pivot | 1 |
| 26 | 4560104010 | Mulching Plug | 1 |
| 27 | 4560106010/02 | Rear Cover Pivot | 1 |
| 28 | 5360118010 | Rear Cover Spring | 1 |
| 29 | 4560105010 | Rear Cover | 1 |
| 30 | 0301010000 | Plain Washer - M10 | 2 |
| 31 | WB2100020102 | Connecting Rod Spring | 1 |
| 32 | 4560109010/40 | Connecting Rod | 1 |

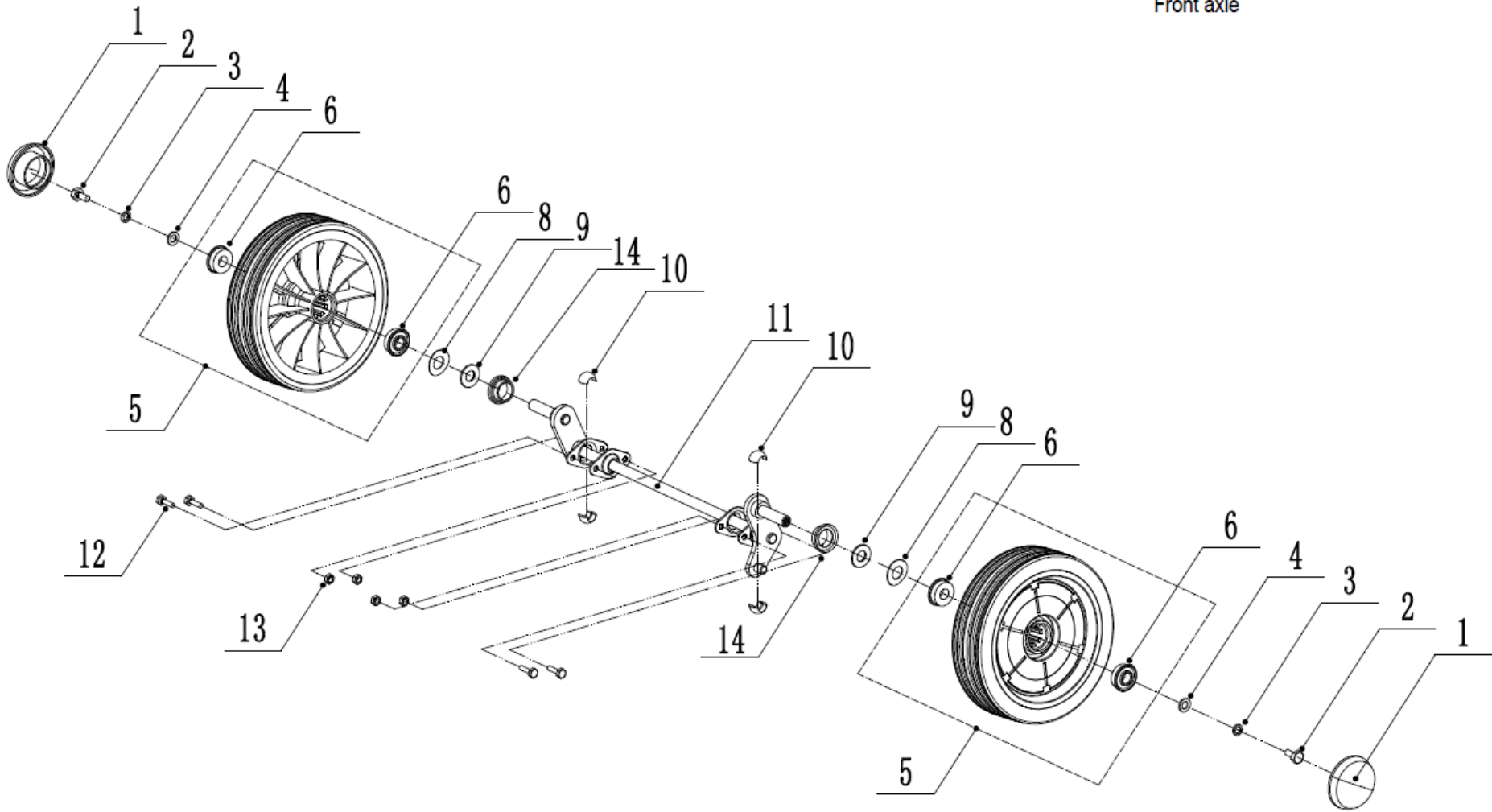
| | | | |
|----|------------|----------------|---|
| 33 | 5320333010 | Spring Clip | 2 |
| 34 | 4560109012 | Spring Bracket | 1 |

Model:WB455HC-3IN1
Service code:W455HCT000B2009
Blade system



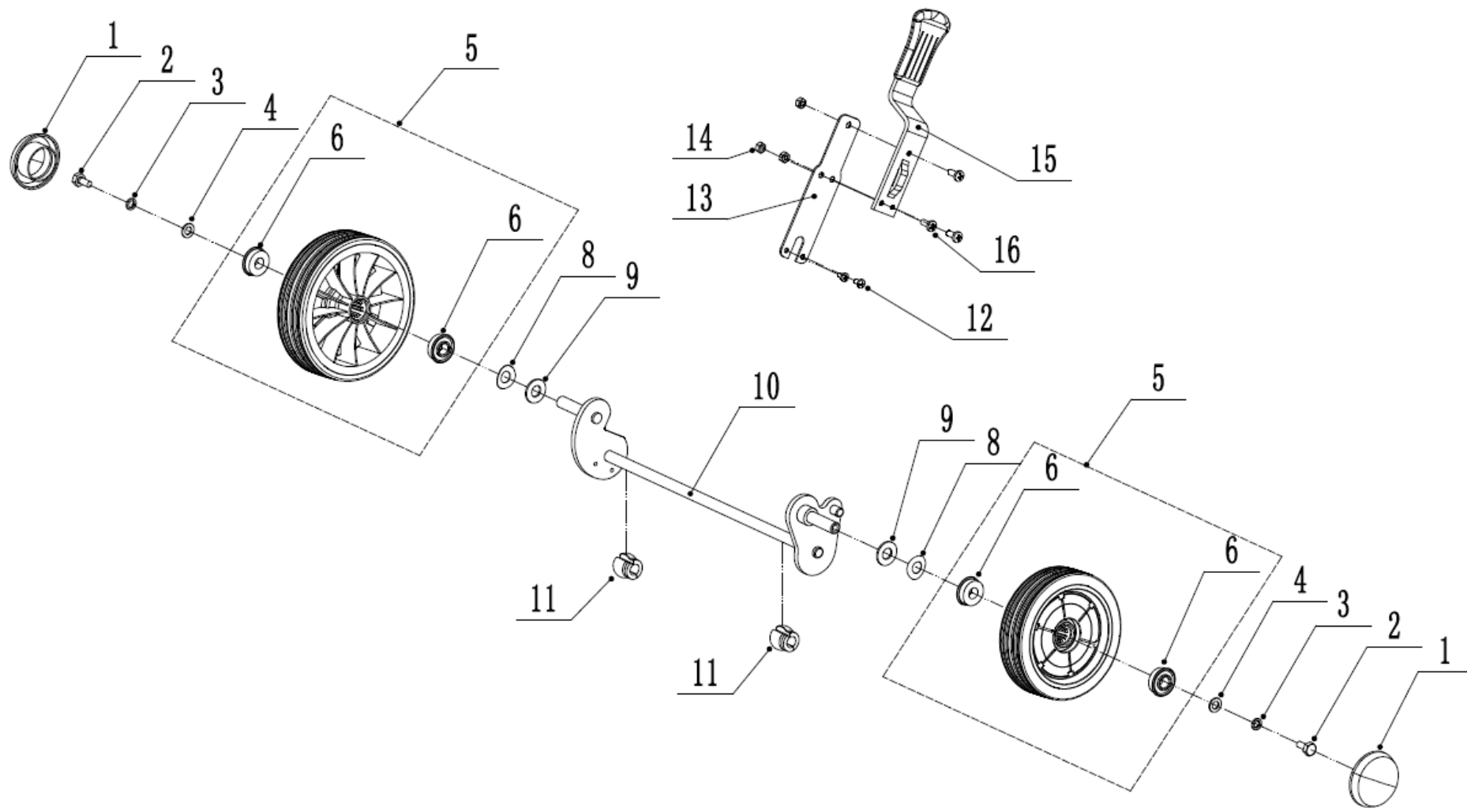
| Order | Part Number | Name_English | Quantity |
|--------------|--------------------|------------------------|-----------------|
| 1 | 5310112010/02 | Engine Washer | 3 |
| 2 | 5320115010 | Screw - 3/8x16x25 | 3 |
| 4 | 4510401010 | Key | 1 |
| 5 | 5320404020/02 | Blade Boss | 1 |
| 6 | 5310402010 | Friction Washer | 2 |
| 7 | 4510403010A/32 | Big wing Blade | 1 |
| 8 | 5310404010/02 | Lock Ring | 1 |
| 9 | 5310406010/04 | Spring Washer | 1 |
| 10 | 5320405011 | Blade Bolt - 3/8x24x55 | 1 |

Model:WB455HC-3IN1
Service code:W455HCT000B2009
Front axle



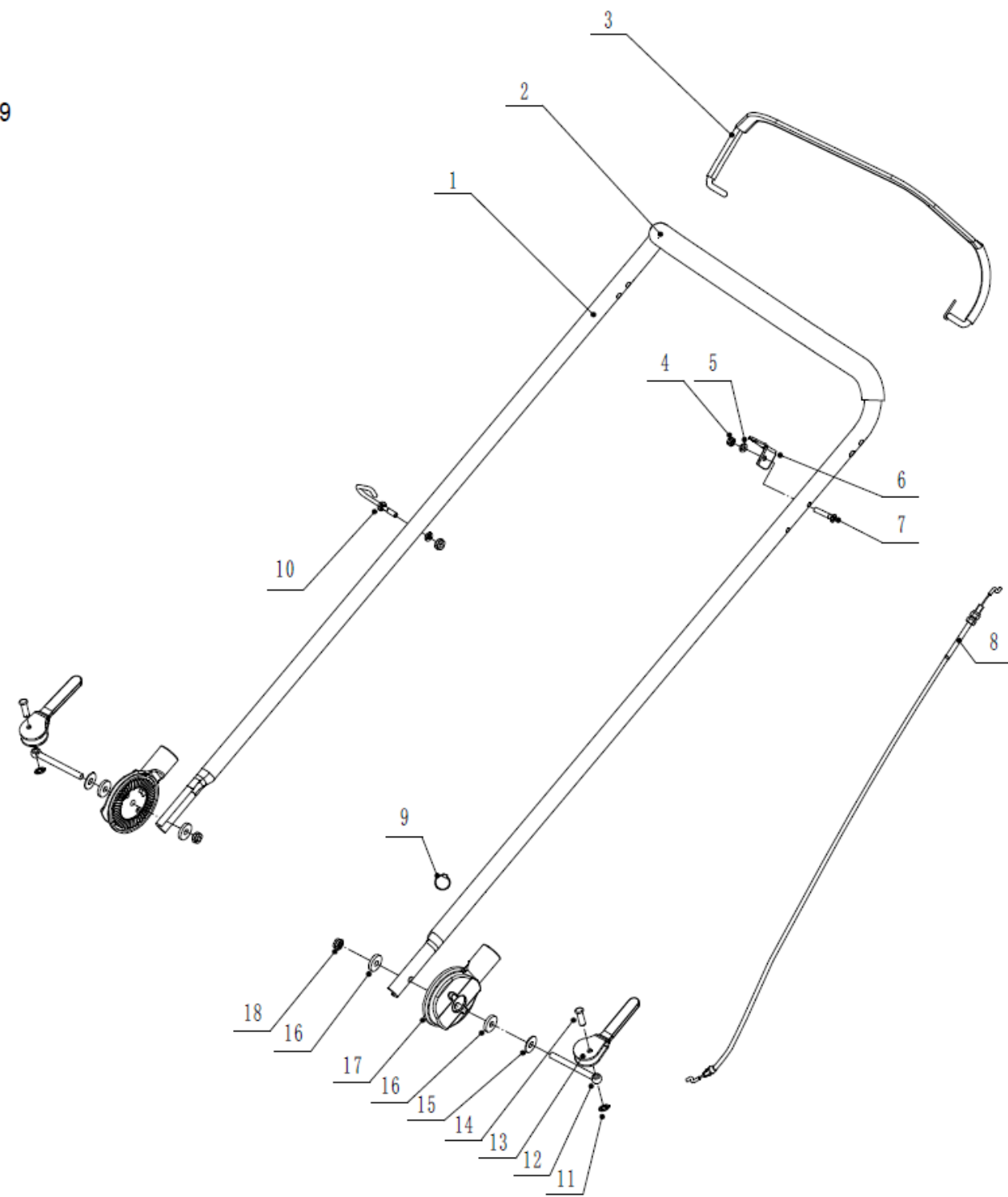
| Order | Part Number | Name_English | Quantity |
|--------------|--------------------|-----------------------|-----------------|
| 1 | GM53D060000030 | Wheel Cap | 2 |
| 2 | 0101008015 | Bolt - M8x15 | 2 |
| 3 | 0401008000 | Spring Washer - M8 | 2 |
| 4 | 0301008000 | Washer - M6 | 2 |
| 5 | 4560206050/40 | Wheel Assembly | 2 |
| 6 | 5310213010 | Bearing | 4 |
| 8 | 5310211010/02 | Spring Washer - M12.7 | 2 |
| 9 | 5310210010/02 | Plain Washer - M12.7 | 2 |
| 10 | 5310209010 | Bearing Holder | 4 |
| 11 | 4560201011/01 | Front Axle Welding | 1 |
| 12 | 0102006012 | Bolt - M6x12 | 4 |
| 13 | 0202006000 | Lock Nut - M6 | 4 |
| 14 | GM53D040000060 | waterproof ring | 2 |

Model:WB454HC-3IN1
Service code:W454HCT0002009
Rear axle



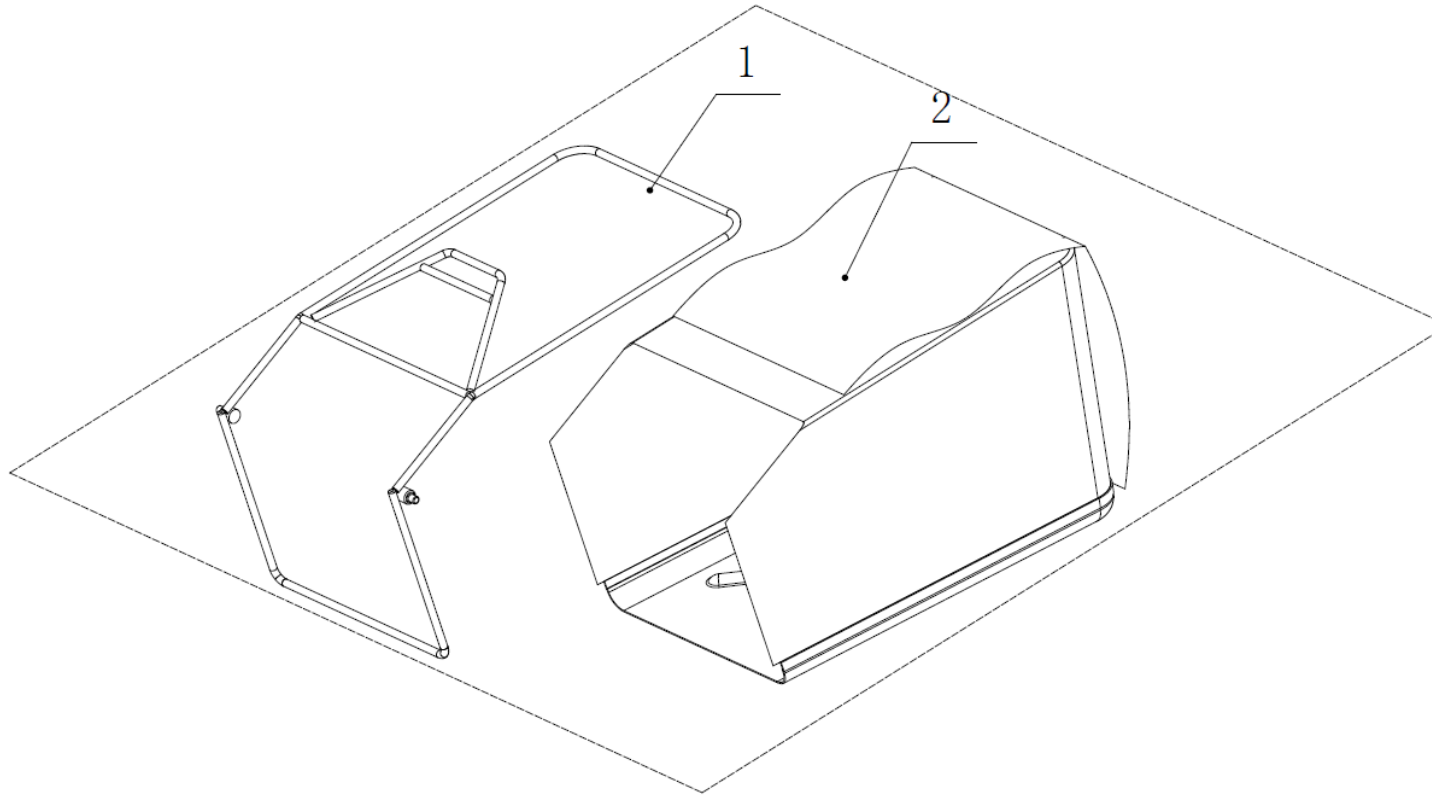
| Order | Part Number | Name_English | Quantity |
|--------------|--------------------|----------------------------|-----------------|
| 1 | GM53D060000030 | Wheel Cap | 2 |
| 2 | 0101008015 | Bolt - M8x15 | 2 |
| 3 | 0401008000 | Spring Washer - M8 | 2 |
| 4 | 0301008000 | Washer - M8 | 2 |
| 5 | GM53D040000000 | Wheel Assembly | 2 |
| 6 | 5310213010 | Bearing | 4 |
| 8 | 5310211010/02 | Spring Washer - M12.7 | 2 |
| 9 | 5310210010/02 | Plain Washer - M12.7 | 2 |
| 10 | 4550301011/01 | Rear Shaft Weldment | 1 |
| 11 | 4830306010 | Bearing | 2 |
| 12 | 0113005008 | Screw - M5x8 | 2 |
| 13 | 5010306020/22 | Spring of Adjustment Lever | 1 |
| 14 | 0202006000 | Lock Nut - M6 | 3 |
| 15 | 5360310010/40 | Adjustment Lever | 1 |
| 16 | 0101006014 | Bolt - M6x14 | 3 |

Model:WB455HC-3IN1
Service code:W455HCT000B2009
Handle and controls



| Order | Part Number | Name_English | Quantity |
|--------------|--------------------|---------------------|-----------------|
| 1 | 4560115010/49 | Handle | 1 |
| 2 | GM56E010000082 | Handle Sheath | 1 |
| 3 | 5020503020S/40 | OPC Lever | 1 |
| 4 | 0202006000 | Lock Nut - M6 | 2 |
| 5 | 0301006000 | Washer - M6 | 2 |
| 6 | GM38A050000060/01 | Bracket | 1 |
| 7 | 0108006040 | Screw - M6x40 | 1 |
| 8 | BS120-1230 | OPC Cable | 1 |
| 9 | ZD8/200 | Cable tie | 3 |
| 10 | 4510511010/01 | Hook - Starter Rope | 1 |
| 11 | 4510114030 | Grip Washer | 2 |
| 12 | GM48S000000100 | Connecting Bolt | 2 |
| 13 | GM56A100400000 | Lock Lever | 2 |
| 14 | 0801008025 | Pin - 8x25 | 2 |
| 15 | GM56A100000040/04 | Spacer | 2 |
| 16 | GM56A100000050/02 | Spacer | 4 |
| 17 | GM48S030200000 | Tooth Disc Kit | 2 |
| 18 | 0203008000 | Lock Nut-M8 | 2 |

Model:WB455HC-3IN1
Service code:W455HCT000B2009
Grass catcher



| Order | Part Number | Name_English | Quantity |
|-------|---------------|-------------------|----------|
| 1 | 4560602010/22 | Frame - Grass Bag | 1 |
| 2 | 4560603010/84 | Grass Bag | 1 |