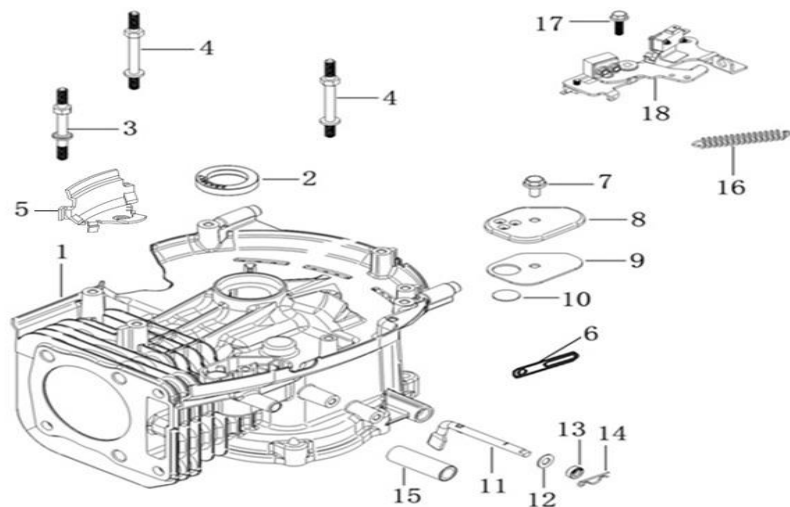


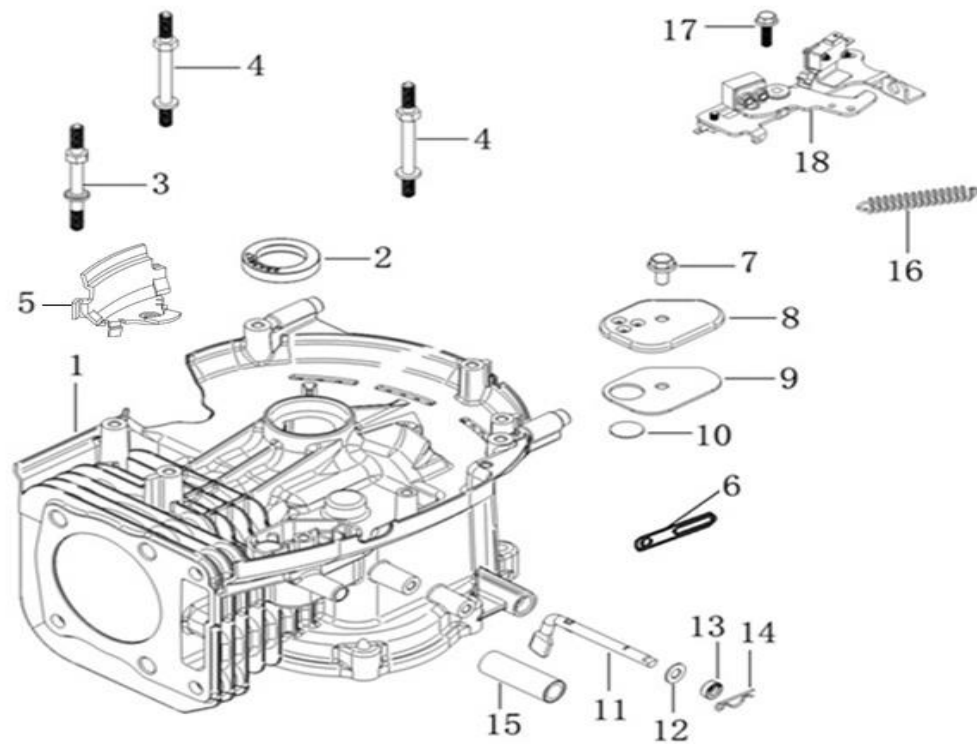
### CYLINDER HEAD

No.	Part No.		Reqd. QTY
1	380140013-0005	Hexagon bolt with flange	4
2	120230152-0001	Cylinder head cover	1
3	120250059-0001	Gasket for cylinder head cover	1
4	270960014-0001	Spark plug	1
5	380140339-0001	Hexagon bolt with flange	6
6	120080609-0002	Cylinder head	1
7	380180114-0001	Stud	2
8	380180093-0001	Stud	2
9	120150211-0002	Gasket for cylinder head	1
10	380600117-0001	Location pin	2



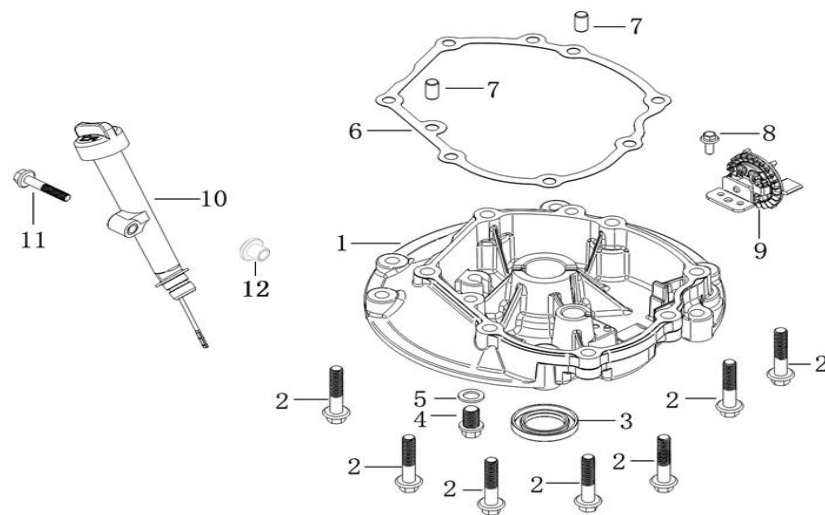
## CRANK CASE

No.	Part No.		Reqd. QTY
1	110810261-0002	Crankcase body	1
2	380650335-0001	Oil seal	1
3	380850002-0001	Stay stud	1
4	380850006-0001	Stay stud	2
5	160200068-0002	Side plate	1
6	380940346-0003	Cable cleat	1
7	380140067-0003	Hexagon bolt with flange	1
8	110840031-0001	CAP,BREATHER CHAMBER	1
9	110850021-0001	PACKING, BREATHER CHAMBER	1
10	110860005-0001	Breath fin	1
11	171630023-0001	Speed regulating arm	1
12	380450527-0001	Flat washer	1
13	380650338-0001	Oil seal	1
14	381350004-0001	Pin clip	1



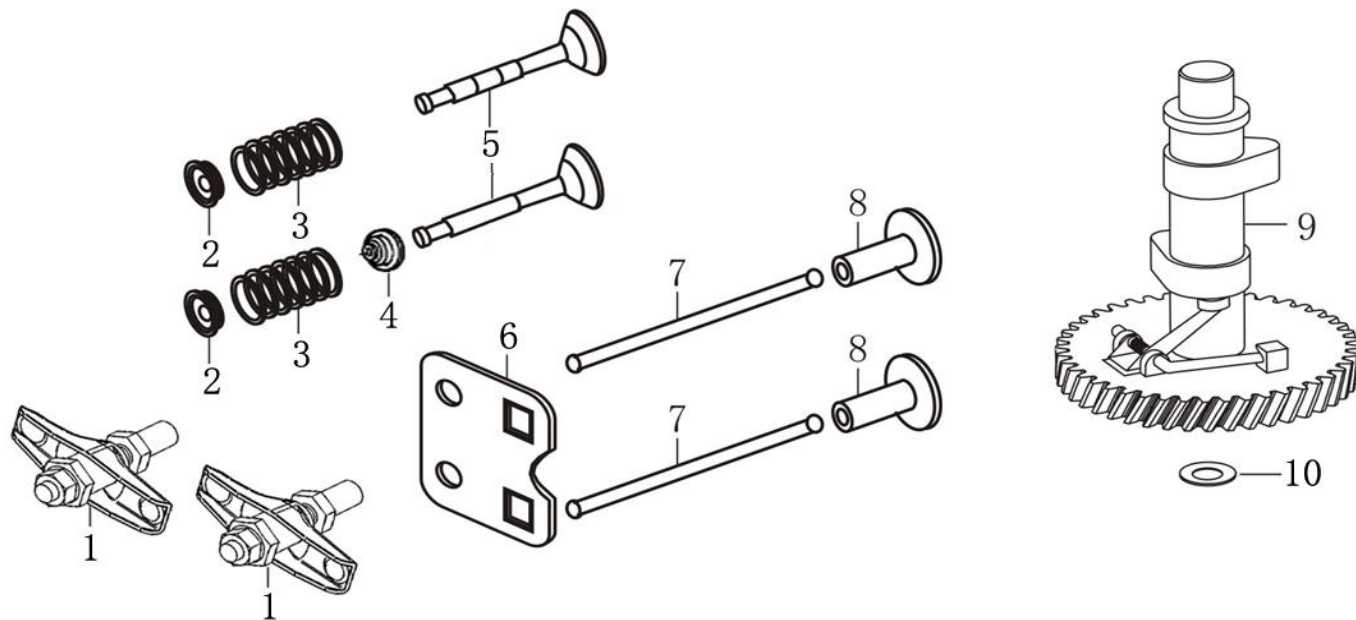
### CRANK CASE

No.	Part No.		Reqd. QTY
15	380741158-0002	Breather tube	1
16	381140580-0001	Tension spring	1
17	380140086-0002	Hexagon bolt with flange	1
18	293030019-0001	Engine brake	1



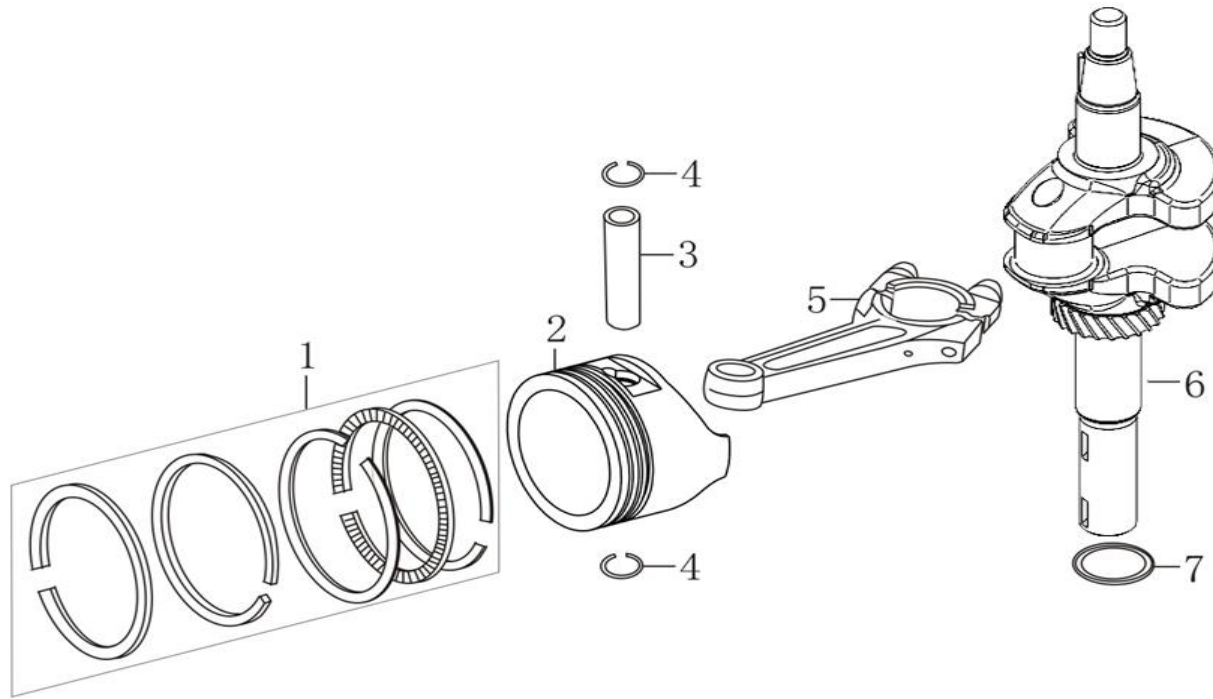
### CRANK CASE COVER

No.	Part No.		Reqd. QTY
1	110820128-0001	Crankcase cover	1
2	380140005-0006	Hexagon bolt with flange	7
3	380650347-0001	Oil seal	1
4	110260025-0001	Sealing plug screw	1
5	380450514-0001	Flat washer	1
6	110830062-0001	Crankcase cover gasket	1
7	380600120-0001	ocation pin	2
8	380140167-0002	Hexagon bolt with flange	1
9	171750031-0001	Components of governor gear	1
10	110690105-0003	Oil rule combination	1
11	380140100-0003	Hexagon bolt with flange	1
12	380822372-0001	Bushing	1



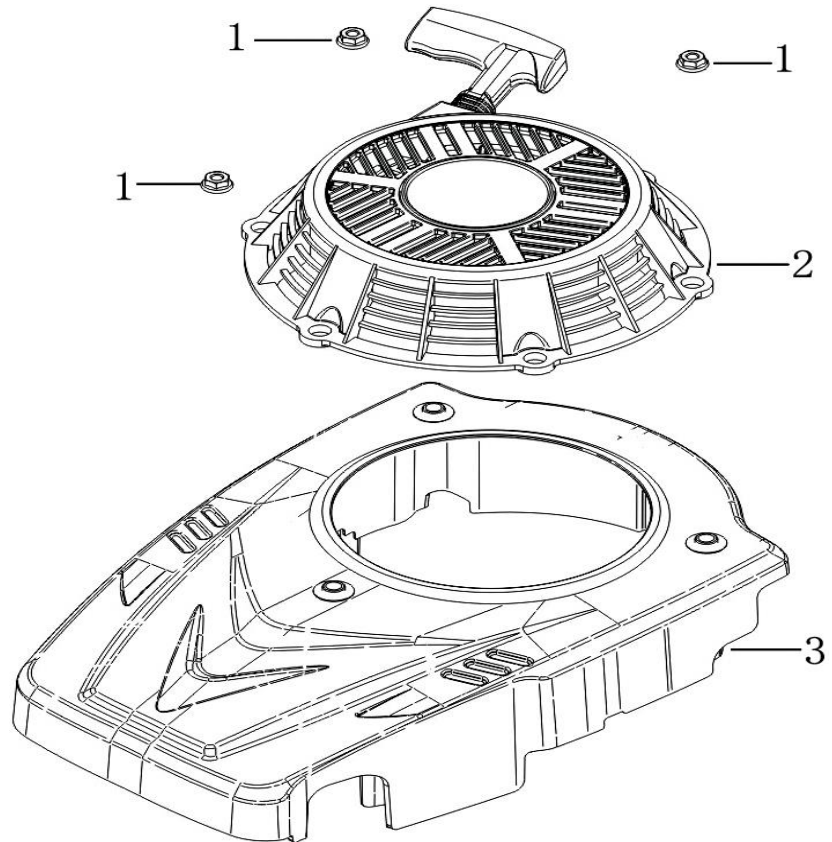
### Camshaft

No.	Part No.		Reqd. QTY
1	140450022-0001	Valve rocker combination	2
2	140380020-0001	Retainer, valve spring	2
3	140340039-0001	Inner spring of valve	2
4	140400016-0001	Valve oil seal	1
5	500550076-0001	Valve Kit	1
6	140710015-0001	Plate, push rod guide	1
7	140670032-0001	Push rod	2
8	140690002-0001	Lifter, Valve	2
9	140020189-0001	Camshaft assy	1
10	380450534-0001	Flat washer	1



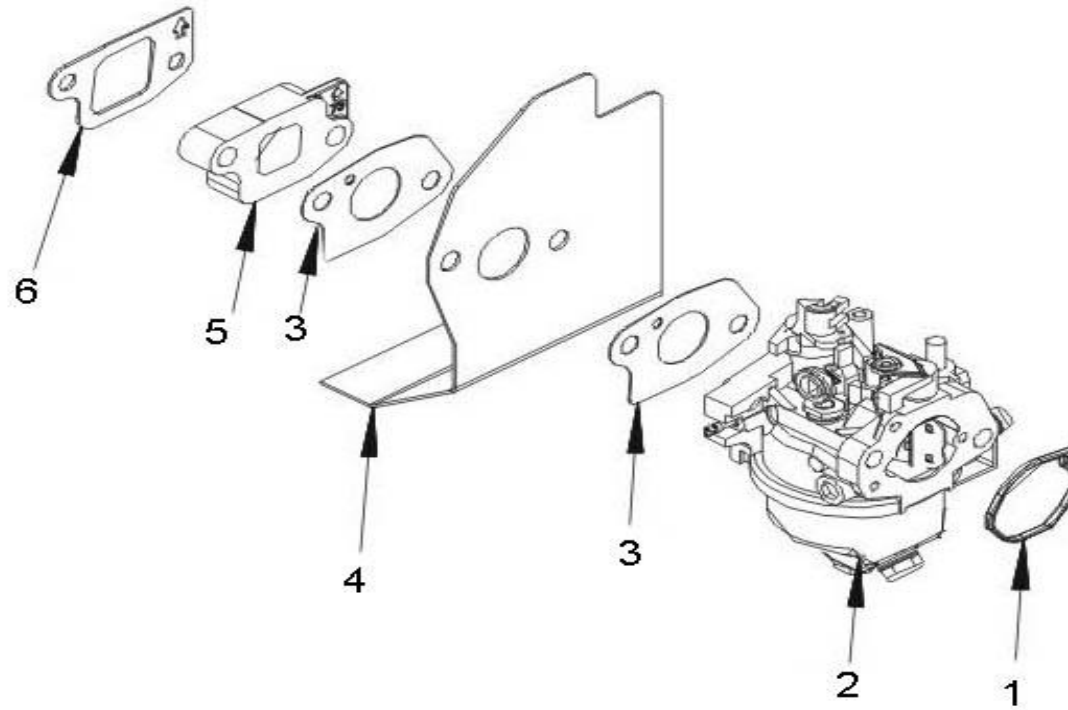
**CRANKSHAFT/PISTON**

No.	Part No.		Reqd. QTY
1	130070158-0001	Piston ring combination	1
2	130030245-0001	Piston	1
3	130060031-0001	Piston pin	1
4	380560056-0001	Steel cable baffle ring	2
5	130150149-0001	Connecting rod	1
6	130290480-0001	crankshaft	1
7	380450518-0001	Flat washer	1



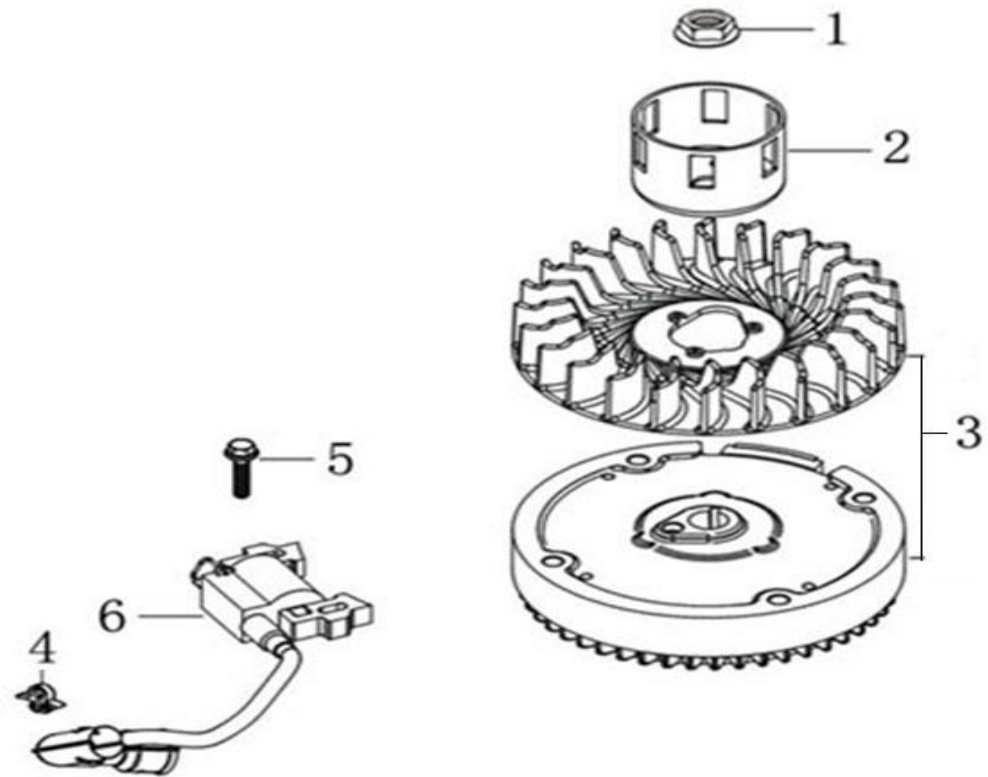
**STARTER**

No.	Part No.		Reqd. QTY
1	380370066-0001	Hexagon nut with flange	3
2	193500113-0006	Manual starting components	1
3	160210120-0003	Fan cover comp.	1



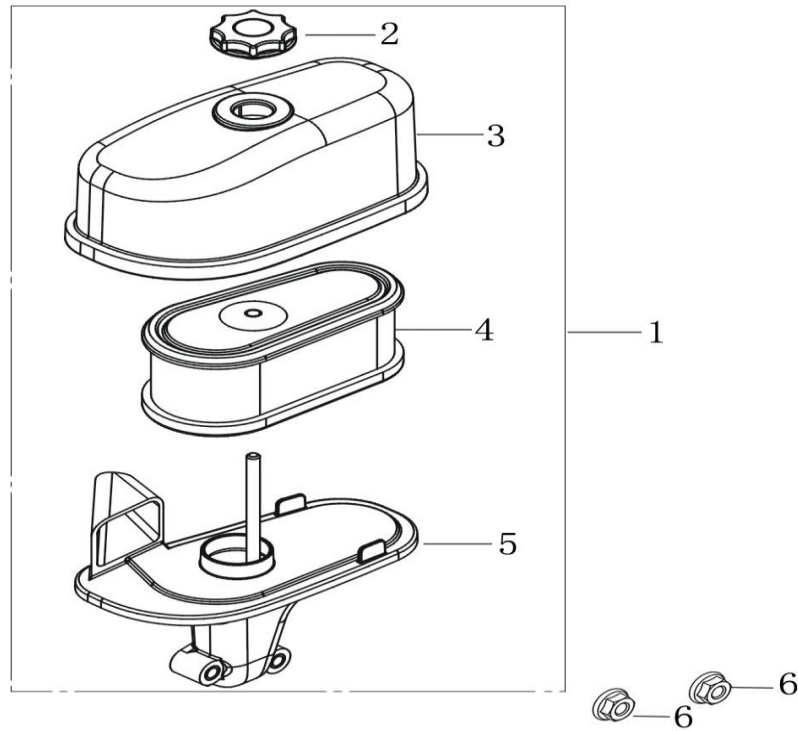
### CARBURETOR

No.	Part No.		Reqd. QTY
1	170430177-0001	Carburetor gasket	1
2	170022142-0002	Carburetor	1
3	170430147-0001	Carburetor gasket	2
4	170450007-0001	Heat insulating plate for carburetor	1
5	170440090-0001	Heat insulating pad for carburetor	1
6	170430174-0001	Carburetor gasket	1



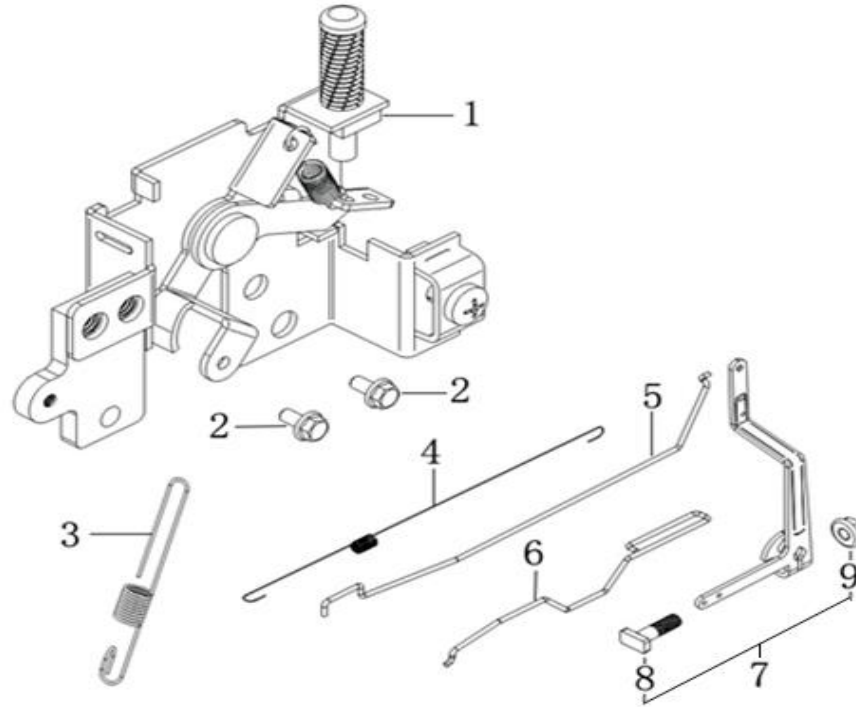
### FLYWHEEL/ignition Comp

No.	Part No.		Reqd. QTY
1	380370051-0001	Hexagon nut with flange	1
2	193590005-0001	Starting disc	1
3	270020254-0001	FLYWHEEL COMP	1
4	380930025-0001	Location wire nail	1
5	380140024-0006	Hexagon bolt with flange	1
6	270920392-0001	COIL ASSY.,IGNNTION	1



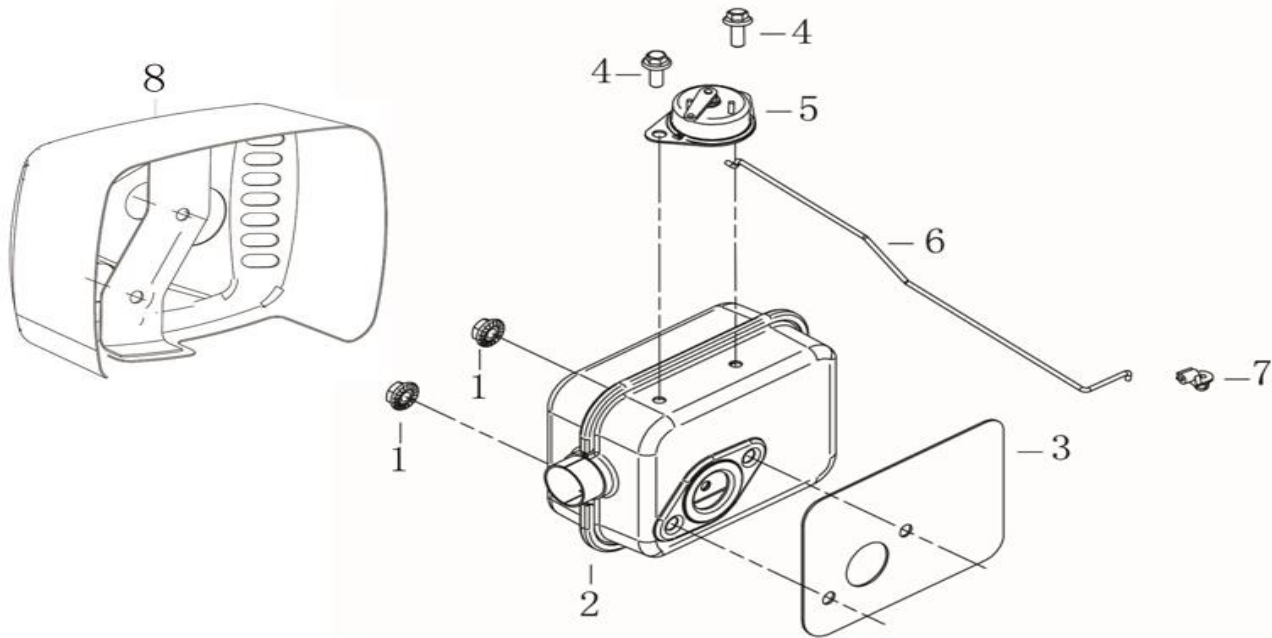
### AIR CLEANER

No.	Part No.		Reqd. QTY
1	180020744-0002	Air filter	1
2	181950006-0001	Hexagon nut with flange	1
3	180070228-0001	Air filter casing cover	1
4	180100096-0001	Air filter element combination	1
5	180280092-0001	Air filter seat	1
6	380370066-0001	Hexagon nut with flange	2



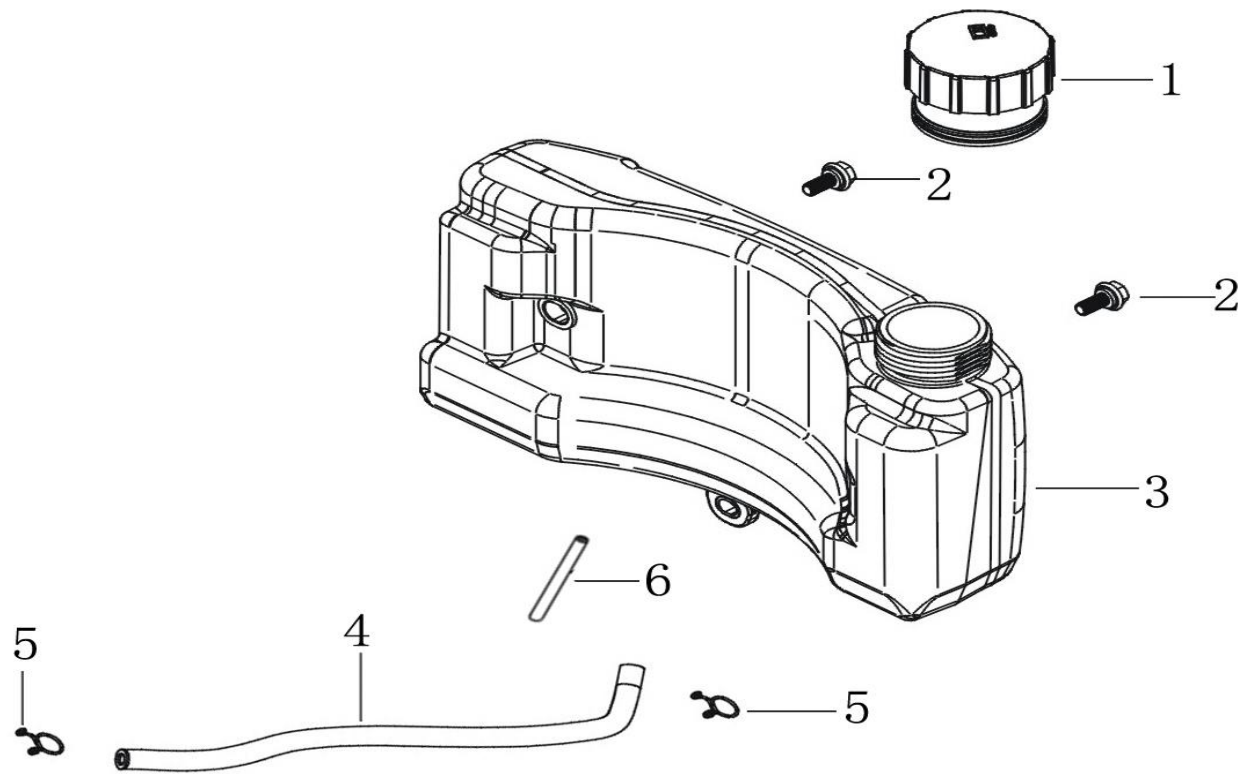
### CONTROL SYSTEM

Part No.	Description	Reqd. QTY
171680037-0001	Throttle handle combination	1
380140067-0003	Hexagon bolt with flange	2
171600080-0001	Governing spring	1
171610031-0001	throttle return spring	1
171590038-0001	Throttle rod	1
	Choke valve pull rod	1
171620015-0003	Speed regulating bracket	1
380250002-0001	Square head set screw with flat point	1
380370066-0001	Hexagon nut with flange	1



### MUFFLER

No.	Part No.		Reqd. QTY
1	380370048-0001	Hexagon nut with flange	2
2	180571973-0001	Muffler	1
3	180660081-0001	Muffler gasket	1
4	380140497-0002	Hexagon bolt with flange	2
5	171470010-0001	Control components of choke valve	1
6	171650034-0001	Choke valve pull rod	1
7	173090001-0001	Locker of choke valve pull rob	1
8	180960143-0001	Muffler guard shield	1



### Fuel tank

No.	Part No.		Reqd. QTY
1	170870094-0001	Tank cover	1
2	380020071-0001	Hexagon shaft shoulder bolt	2
3	170490217-0001	Tank	1
4	380750234-0002	Oil tube	1
5	380950190-0001	Pipe clip	2
6	170010017-0001	Fuel filter	1