

RMA 443.3

Spare Parts List

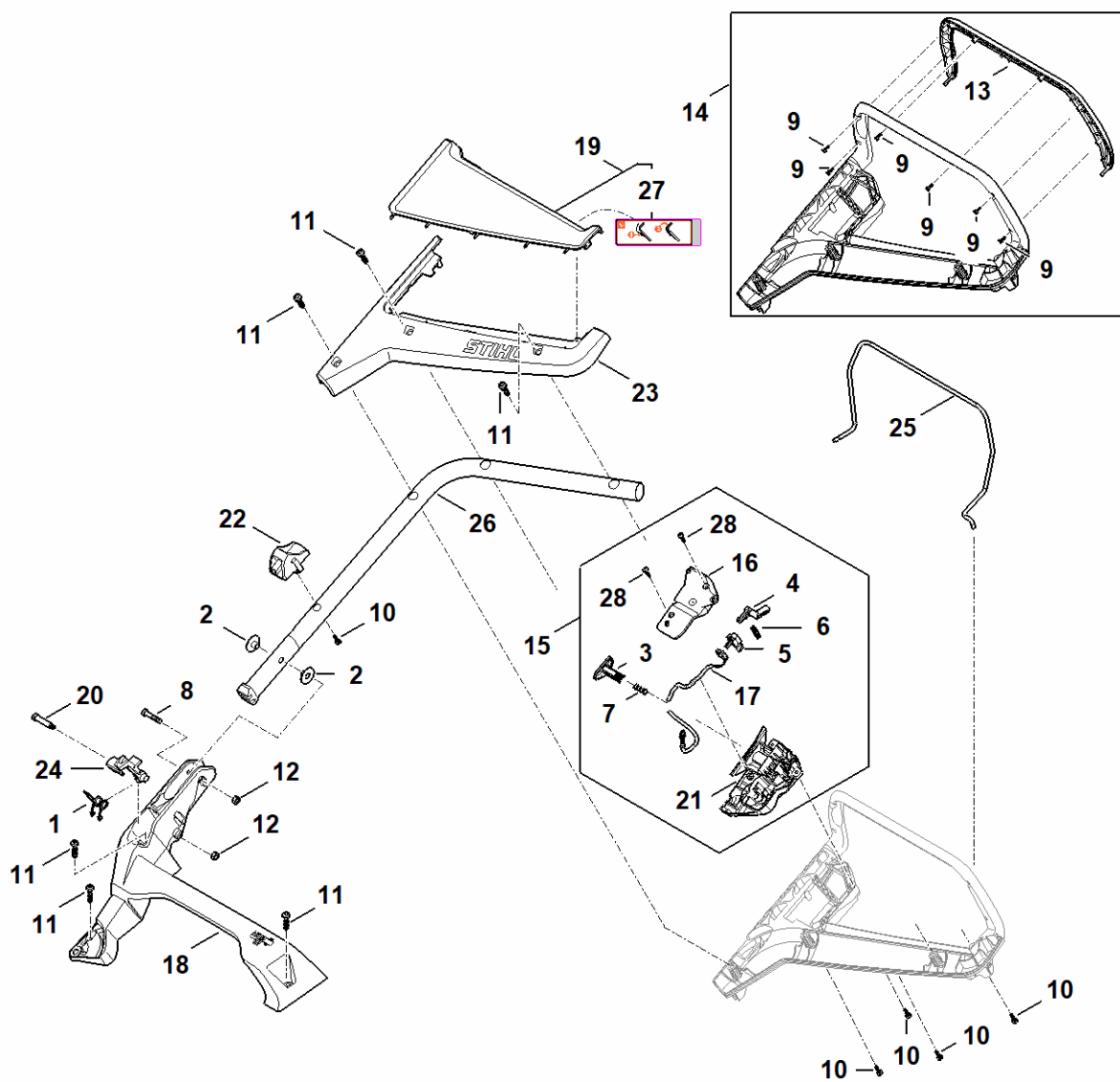
06/11/2024

Poland, English

Contents

A - Handle	2
B - Housing	5
C - Chassis, height adjustment	7
D - Engine, blade	9
E - Grass catcher bag	11
F - Tools	13
Assembly hook	15
Installing tool	17

A - Handle



WA40-GET-0014

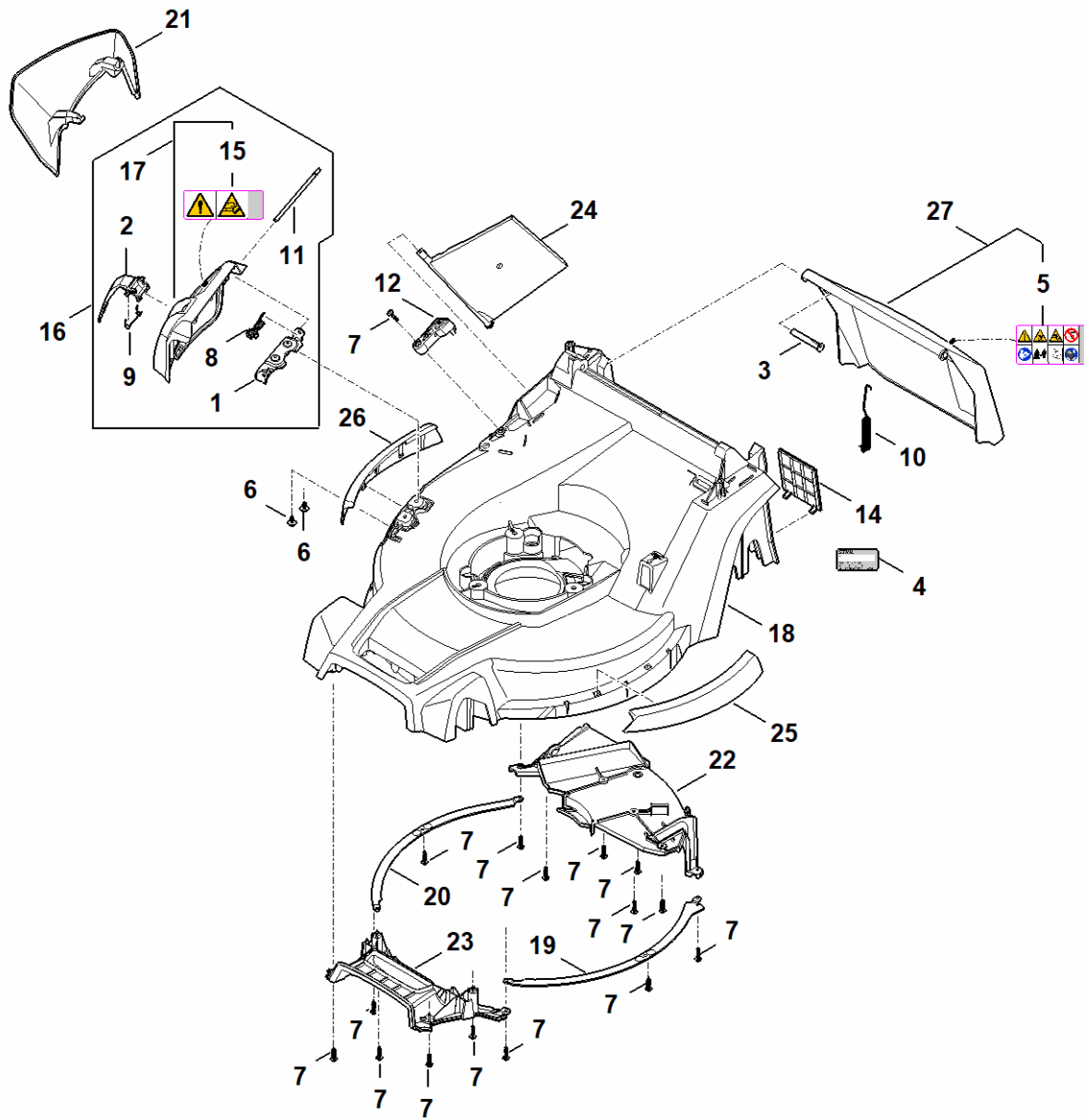

A - Handle

#	Part Number	Description	Quantity	Contains Item(s)	Remarks
1	0000 703 4900	Torsion spring	1		
2	0000 710 7300	Sleeve montiert	2		
3	6338 435 0205	Button	1		
4	6338 435 2205	Control spring	1		
5	6338 435 2400	Control lever (motorstop mount)	1		
6	6338 435 8701	Spring	1		
7	6338 435 8705	Spring	1		
8	9037 319 1901	Pan head screw M8x40	1		
9	9104 020 0660	Self-tapping screw IS-P4x12	6		
10	9104 020 3053	Self-tapping screw IS-P5x22	5		
11	9104 020 6030	Self-tapping screw IS-P8x30	6		
12	9214 261 1105	Lock nut M8	2		
13	WA21 706 3600	Bumper	1		
14	WA21 780 3000	Handle upper section	1	9, 13	
15	WA40 430 1100	Switchbox	1	3 - 6, 16, 17, 21, 28	
16	WA40 432 5100	Upper house half (switch box)	1		
17	WA40 440 3000	Wiring harness	1		
18	WA40 703 6201	Bracket	1		
19	WA40 706 0706	Cover	1	27	
20	WA40 716 6800	Collar screw	1		
21	WA41 432 5005	Lower house half (switch box)	1		
22	WA41 706 0100	Lock	1		
23	WA41 706 0730	Cover	1		
24	WA41 763 6000	Detent lever	1		
25	WA41 764 0210	Switch lever	1		
26	WA41 780 2800	Handle lower section	1		
27	WA41 967 4400	Sticker	1		

A - Handle

#	Part Number	Description	Quantity	Contains Item(s)	Remarks
28	9104 020 3053	Self-tapping screw IS-P5x22	2		

B - Housing

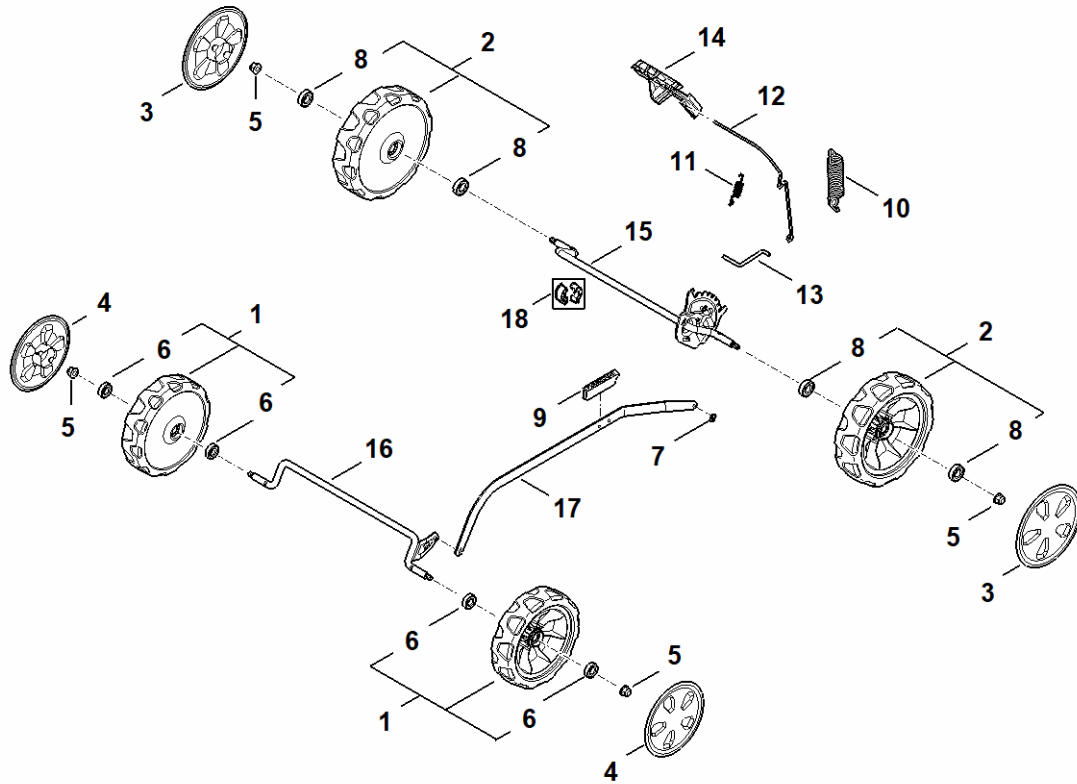


WA40-GET-0015
K10

B - Housing

#	Part Number	Description	Quantity	Contains Item(s)	Remarks
1	0000 704 5401	Support	1		
2	0000 706 0100	Lock	1		
3	0000 706 5905	Bolt	1		
4	0000 967 3454	Warning sign with machine number	1		
5	0000 967 6746	Warning note	1		
6	4867 951 3500	Screw M5x12 10.9	2		
7	9104 020 3053	Self-tapping screw IS-P5x22	15		
8	WA41 703 4900	Torsion spring	1		
9	WA41 703 4905	Torsion spring	1		
10	WA41 703 5110	Tension spring	1		
11	WA41 703 9000	Bolt	1		
12	WA41 700 2900	Adjusting lever	1		
14	WA41 706 0700	Cover	1		
15	WA41 967 7200	Warning pictogram	1		
16	WA40 700 2700	Flap	1	1, 2, 8, 9, 11, 15, 17	
17	WA40 700 2705	Flap	1	15	
18	WA40 700 8500	Housing	1	14, 22, 23	
19	WA40 703 6300	Strip	1		
20	WA40 703 6305	Strip	1		
21	WA40 706 0300	Extension	1		
22	WA40 706 0700	Cover	1		
23	WA40 706 0701	Cover	1		
24	WA40 706 2400	Flap	1		
25	WA40 706 7300	Protective strip	1		
26	WA40 706 7305	Protective strip	1		
27	WA41 700 2715	Flap	1	5	

C - Chassis, height adjustment

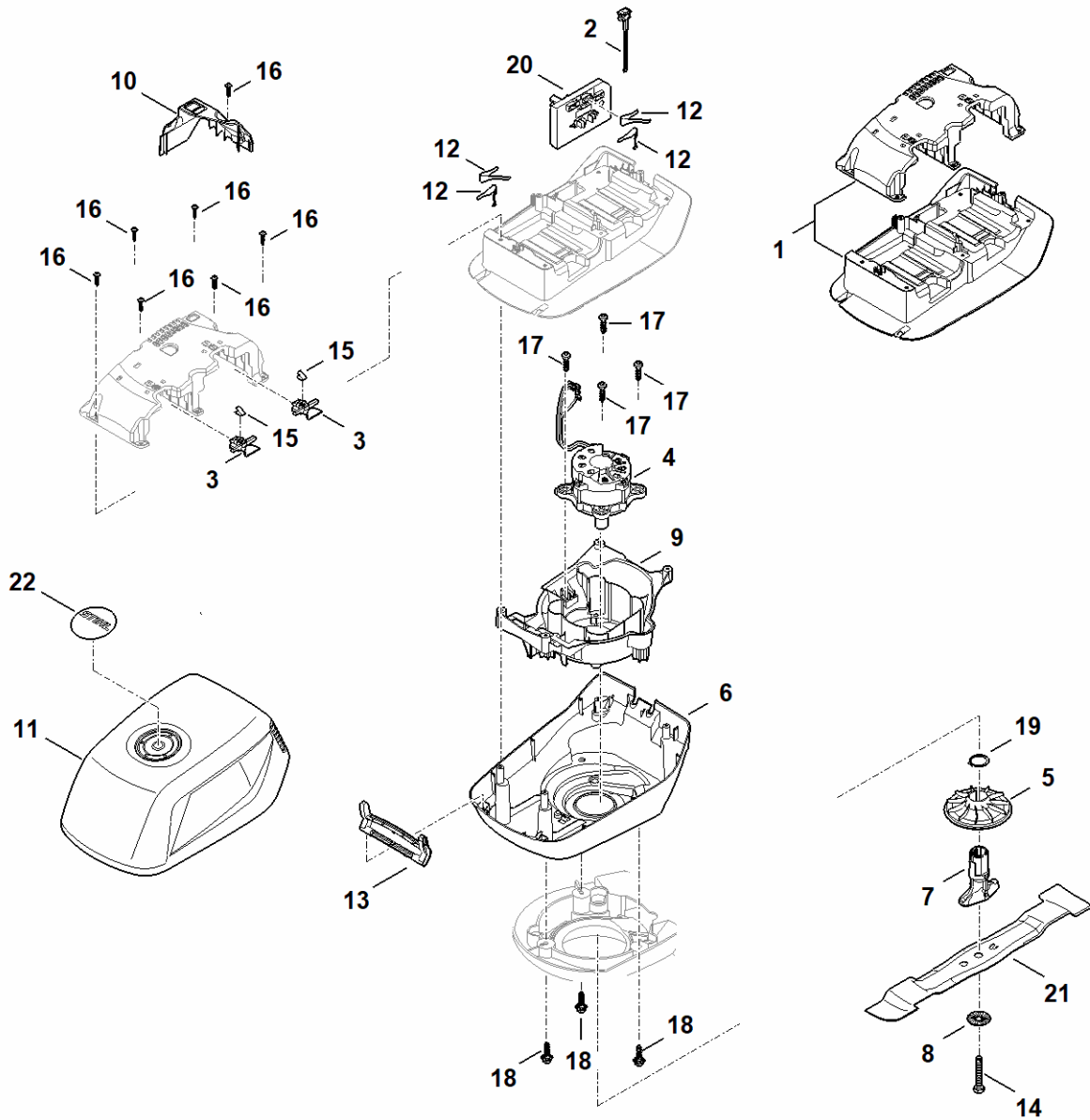


WA40-GET-0016
KG

C - Chassis, height adjustment

#	Part Number	Description	Quantity	Contains Item(s)	Remarks
1	0000 700 0441	Wheel	2	6	
2	0000 700 0440	Wheel	2	8	
3	0000 704 0300	Wheel cap	2		
4	0000 704 0305	Wheel cap	2		
5	9216 263 1100	Hexagon nut M8-8	4		
6	9503 003 5297	Grooved ball bearing 6001-2TRS	4		
7	9460 620 8015	E-clip SL-6	1		
8	9503 003 5297	Grooved ball bearing 6001-2TRS	4		
9	WA41 703 4000	Clip	1		
10	WA41 703 5100	Tension spring	1		
11	WA41 703 5105	Tension spring	1		
12	WA41 703 6700	Lever	1		
13	WA41 763 6005	Detent lever	1		
14	WA41 791 4800	Trip lever	1		
15	WA40 700 2400	Axle	1		
16	WA41 700 2405	Axle	1		
17	WA40 703 8800	Translation lever	1		
18	WA40 704 1200	Axle retainer	1		

D - Engine, blade

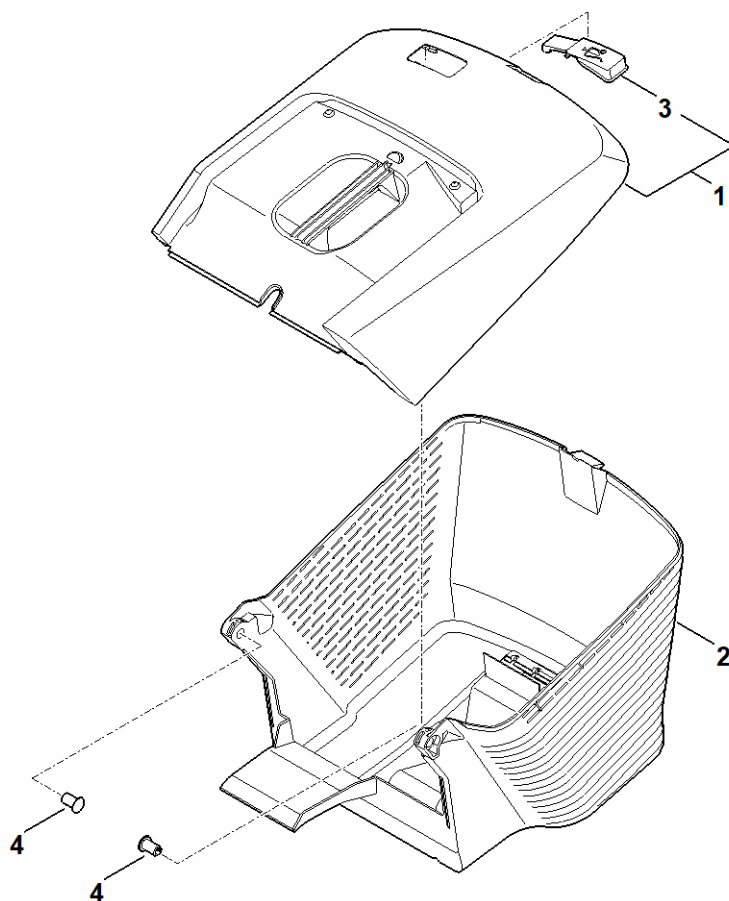


WA40-GET-0017


D - Engine, blade

#	Part Number	Description	Quantity	Contains Item(s)	Remarks
1	WA41 400 9400	Battery compartment	1		
2	WA41 440 3005	Wiring harness	1		
3	0000 430 9805	Lockout lever	2	15	
4	0000 600 0200	Electric motor	1		
5	0000 607 3000	Fan wheel	1		
6	0000 701 1001	Housing	1		
7	0000 702 5015	Blade bushing	1		
8	0000 702 6600	Washer	1		
9	0000 704 5400	Support	1		
10	0000 706 0705	Cover	1		
11	0000 706 2700	Shroud	1		
12	4522 791 3100	Spring	4		
13	0000 763 4100	Hinge element	1		
14	0000 951 3504	Screw	1		Medium strength threadlocking adhesive
15	0000 997 2201	Spring	2		
16	9104 020 3053	Self-tapping screw IS-P5x22	7		
17	9104 020 6030	Self-tapping screw IS-P8x30	4		
18	9104 020 6031	Self-tapping screw IS-P8x30	3		
19	9455 621 3321	Circlip 30x1.5	1		
20	WA40 430 1400	Electronic module	1		
21	WA40 702 0105	Blade	1		
22	WA40 967 0100	Model plate	1		

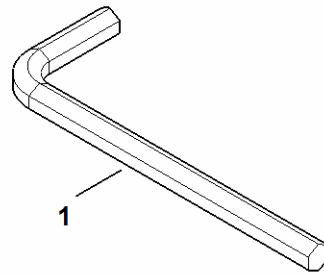
E - Grass catcher bag



WA40-GET-0018
KG

E - Grass catcher bag

#	Part Number	Description	Quantity	Contains Item(s)	Remarks
1	WA41 760 2100	Grass catcher	1	3	
2	0000 703 9600	Grass catcher	1		
3	0000 708 8000	Flap	1		
4	0000 703 9000	Bolt	2		

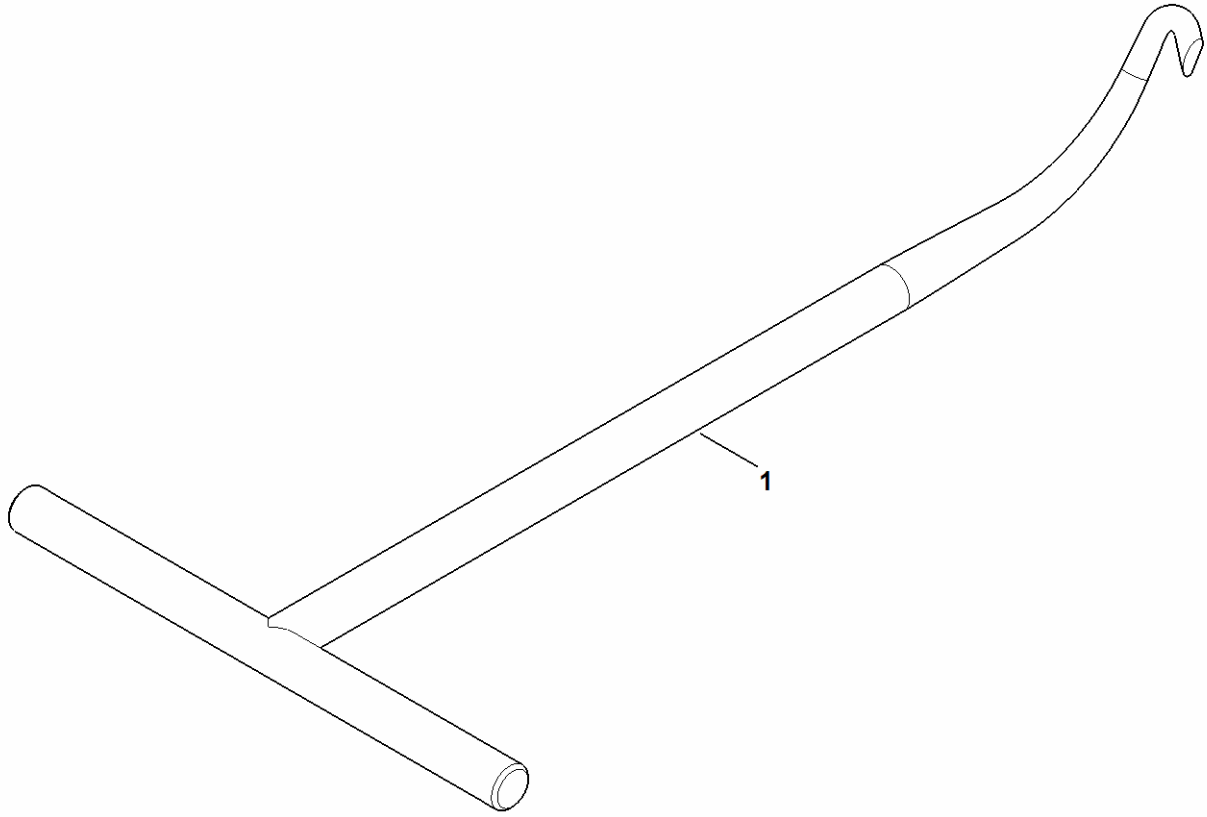


WA40-GET-0019
KO

F - Tools

#	Part Number	Description	Quantity	Contains Item(s)	Remarks
1	6013 893 0900	Allen key	1		

Assembly hook

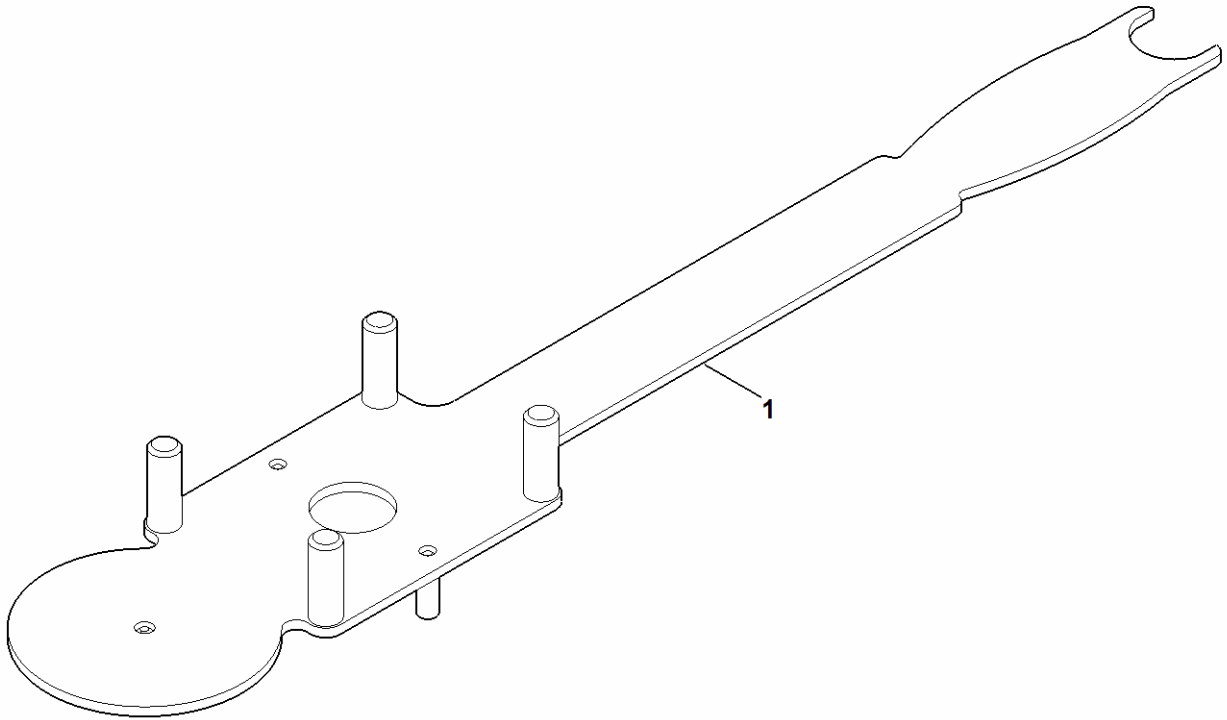


5810-GET-0002
5810

Assembly hook

#	Part Number	Description	Quantity	Contains Item(s)	Remarks
1	0000 890 2800	Installation hook	1		

Installing tool



5510-GSM-0013
K10

Installing tool

#	Part Number	Description	Quantity	Contains Item(s)	Remarks
1	6165 890 2200	Installing tools	1		