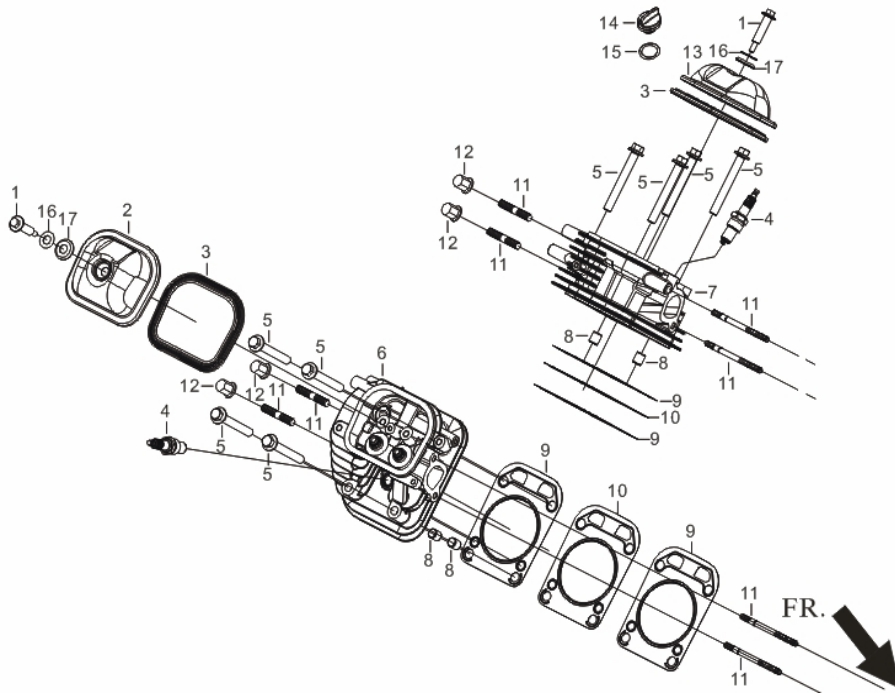


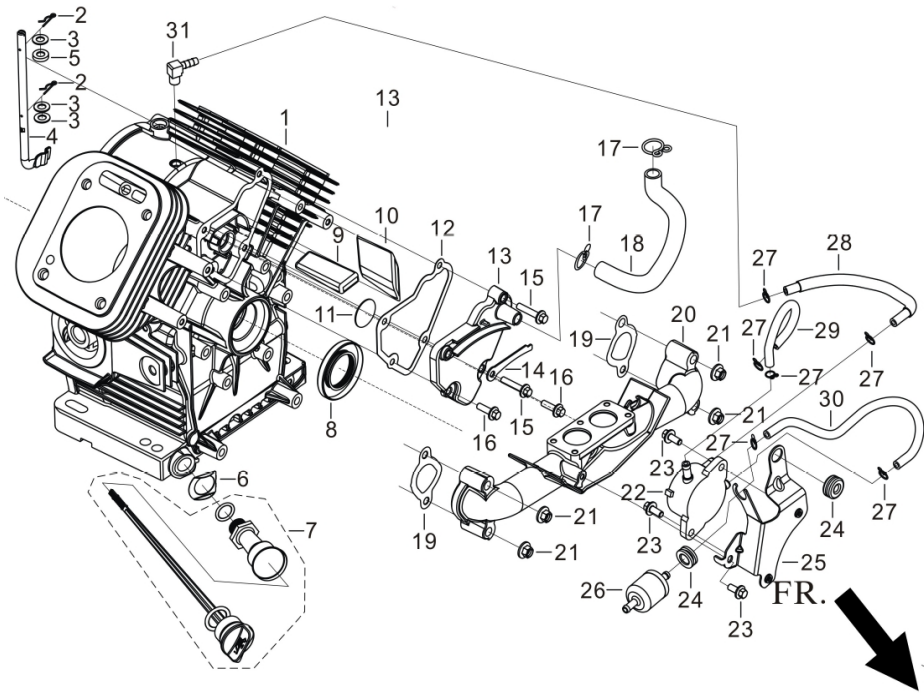
# RV670 EPA

**FIG.1 HEAD SUBASSEMBLY, CYLINDER / PLUG, SPARK (E04)**



REF.NO	PART NO	DESCRIPTION	Q'TY
E04-1	12032-Z130210-0000		2
E04-2	12411-Z130110-0000	COVER, CYLINDER HEAD	1
E04-3	12004-Z130110-0000	GASKET, CYLINDER HEAD COVER	2
E04-4	30010-Z120110-0000	PLUG, SPARK	2
E04-5	12003-Z080110-0000	BOLT, CYLINDER HEAD	8
E04-6	12140-Z130410-0000	HEAD SUBASSEMBLY, CYLINDER	1
E04-7	12210-Z130410-0000	HEAD SUBASSEMBLY, RIGHT CYLINDER	1
E04-8	90502-1220-00	PIN	4
E04-9	12131-Z130120-0000	GASKET, CYLINDER HEAD	4
E04-10	12134-Z130110-0000		2
E04-11	90204-0845-A1	STUD	4
E04-12	90203-Z010110-0000	STUD	4
E04-13	12411-Z130110-0000	COVER, CYLINDER HEAD	1
E04-14	15031-Z120110-Q500	PLUG SUBASSEMBLY, ENGINE OIL	1
E04-15	90681-Z080210-0000	RING, SEAL	1
E04-16	12033-Z130110-0000		1
E04-17	12031-Z130110-0000		1

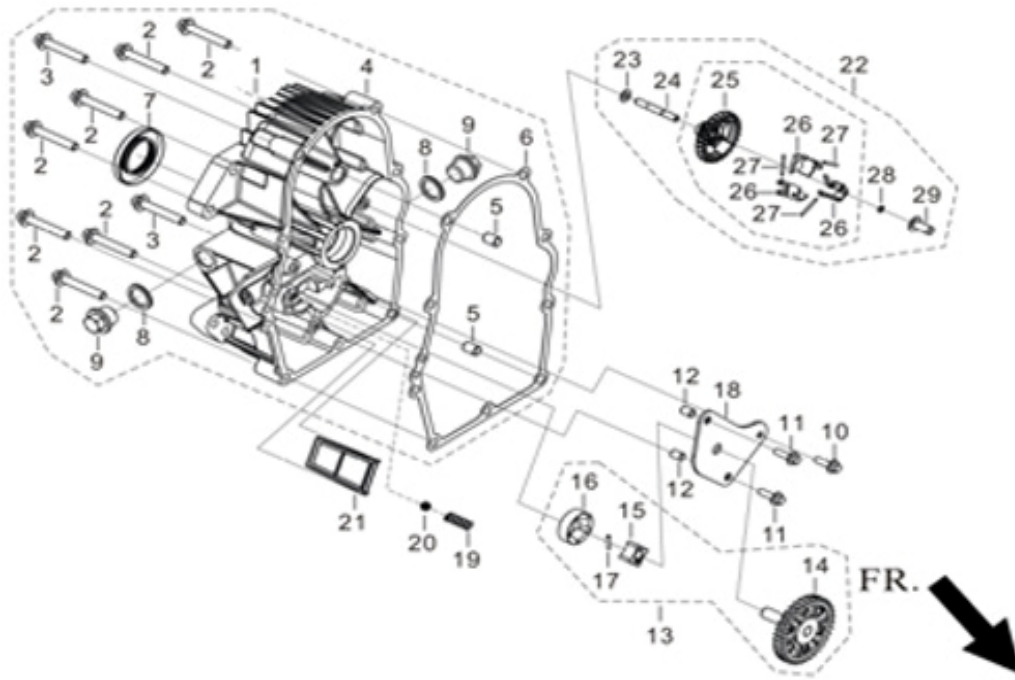
**FIG.2 CRANKCASE. (E01)**



REF.NO	PART NO	DESCRIPTION	Q'TY
E01-1	11310-Z130120-0000	CRANKCASE SUBASSEMBLY	1
E01-2	90501-Z010110-0000	PIN	2
E01-3	90408-V010110-0000	WASHER	3
E01-4	16047-Z130110-0000	ARM, GOVERNOR	1
E01-5	90682-Z130220-0000	SEAL, OIL	1
E01-6	90414-Z130130-0000	WASHER, LOCKING	1
E01-7	15010HZ130110-Q500	DIPSTICK SUBASSEMBLY, OIL	1
E01-8	90682-Z130120-0000	SEAL, OIL	1
E01-9	11331-Z030110-0000	ELEMENT , BREATH GROOVE	1
E01-10	11331-Z130110-0000	ELEMENT , BREATH GROOVE	1
E01-11	11331-Z130110-0000	PIECE, BREATH	1
E01-12	11332-Z120120-0000	GASKET, BREATH GROOVE	1
E01-13	11333-Z120120-0000	PLATE, BREATH GROOVE COVER	1
E01-14	54066-Z130110-0000	CLAMP	1
E01-15	90001-0630-01	BOLT, FLANGE	2
E01-16	90001-0620-01	BOLT, FLANGE	2
E01-17	90685-1000-Z4	CLAMP	2
E01-18	17004-Z130110-0000	TUBE, BREATHER	1
E01-19	17002-Z130120-0000	GASKET, INLET	2
E01-20	12510-Z130120-0000	TUBE, INTAKE	1
E01-21	90305-0800-31	NUT, HEX FLANGE	4
E01-22	16300-Z130120-0000	PUMP ASSY, GASOLINE	1
E01-23	90001-0616-01	BOLT	3
E01-24	16302-Z130120-0000	SLEEVE, GASOLINE PUMP RUBBER	2
E01-25	16301-Z130130-0000	SUPPORT, GASOLINE PUMP	1
E01-26	16510-Z130130-0000	STRAINER, FUEL	1

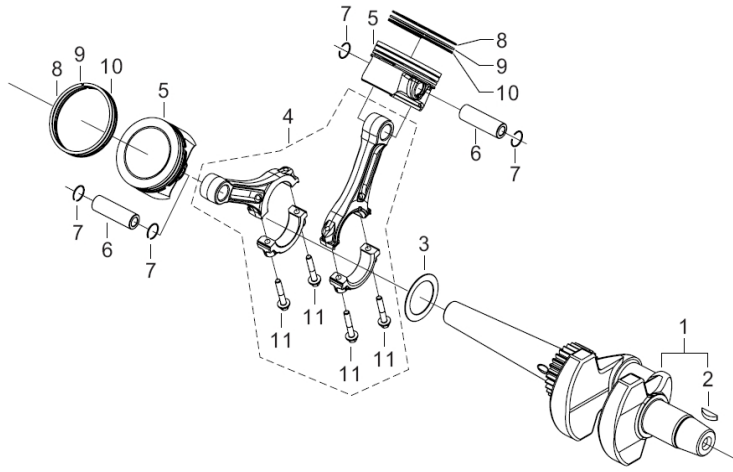
E01-27	90685-1000-Z4	CLAMP	6
E01-28	11017-Z130210-0000	TUBE	1
E01-29	90686-Z130310-0000	TUBE, FUEL	1
E01-30	90686-Z130410-0000	TUBE, FUEL	1
E01-31	12502-Z130130-0000	MOUTH, NEGATIVE PRESSURE	1

**FIG.3 COVER SUBASSEMBLY, CRANKCASE / GEAR ASSY, GOVERNOR (E16)**



REF.NO	PART NO	DESCRIPTION	Q'TY
E16-1	11410-Z130110-0000	COVER SUBASSEMBLY, CRANKCASE	1
E16-2	90001-0850-01	BOLT, FLANGE	7
E16-3	90001-0855-01	BOLT, FLANGE	2
E16-4	11410-Z130110-0000	COVER SUBASSEMBLY, CRANKCASE	1
E16-5	90502-1014-00	PIN	2
E16-6	11001-Z130120-0000	GASKET, CRANKCASE	1
E16-7	90682-Z130320-0000	SEAL, OIL	1
E16-8	90409-Z130110-0000	WASHER, DRAIN PLUG	2
E16-9	11007-Z130110-0000	BOLT, DRAIN PLUG	2
E16-10	90001-0620-01	BOLT, FLANGE	1
E16-11	90001-0625-01	BOLT, FLANGE	2
E16-12	90502-0810-00	PIN	2
E16-13	15100-Z130110-0000	PUMP ASSY, OIL	1
E16-18	15141-Z130120-0000	COVER, OIL PUMP	1
E16-19	15161-Z130310-0000	SPRING, PRESSURE RELIEF VALVE	1
E16-20	90543-9500-00	BALL, PRESSURE RELIEF VALVE STEEL	1
E16-21	15211-Z130120-0000	STRAINER, OIL	1
E16-22	16400-Z130110-0000	GEAR ASSY, GOVERNOR	1

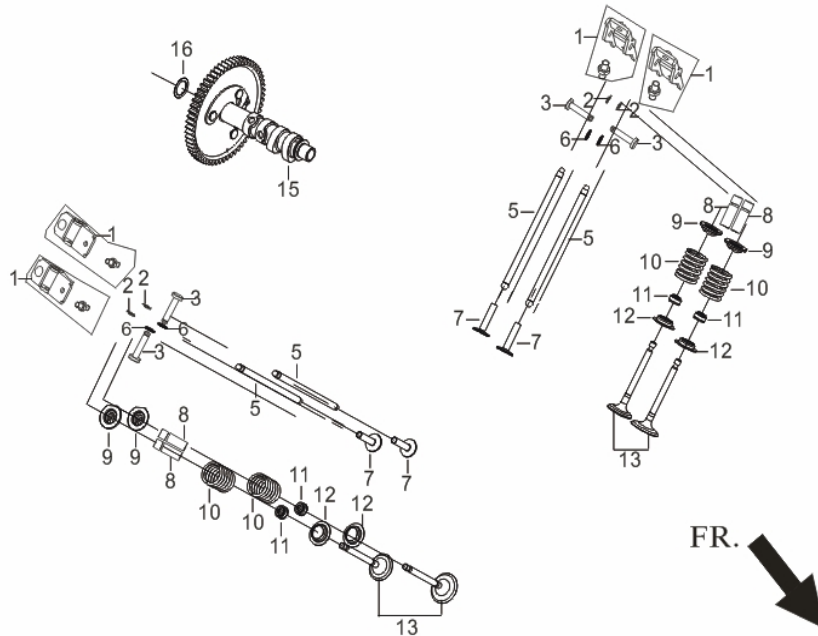
**FIG.4 ROD,CRANKSHAFT CONNETING (E03)**



FR. 

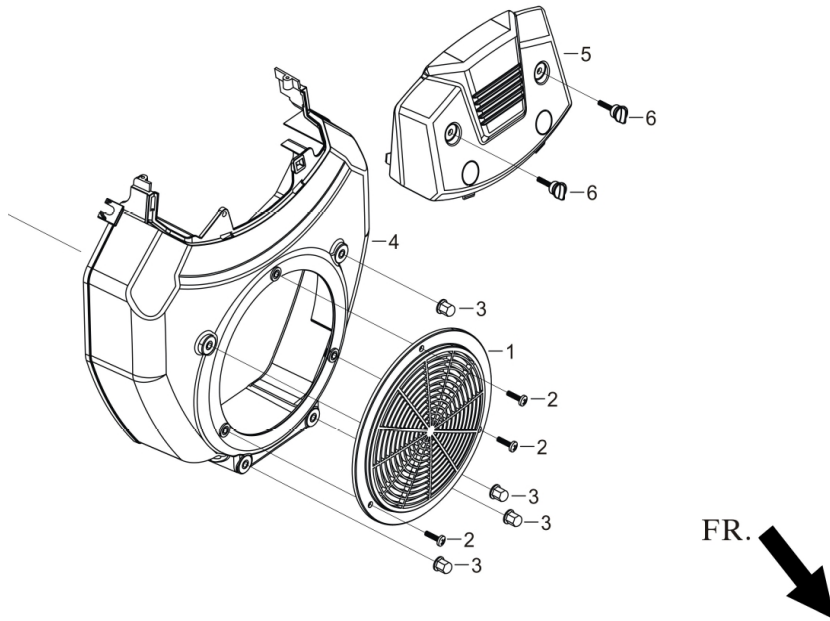
REF.NO	PART NO	DESCRIPTION	Q'TY
E03-1	13300-Z130110-0000	CRANKSHAFT ASSY.	1
E03-3	13306-Z130110-0000	WASHER , THRUST	1
E03-4	13010-Z130210-0000	ROD, CONNECTING	1
E03-5	13111-Z130110-0000	PISTON	2
E03-6	13121-Z130110-0000	PIN, PISTON	2
E03-7	13122-Z130110-0000	CLIP, PISTON PIN	4
E03-8 9 10	13200-Z130110-0000	RING ASSY, PISTON	2

**FIG.5 TRAIN, VALVE / CAMSHAFT SUBASSEMBLY ( E05 )**



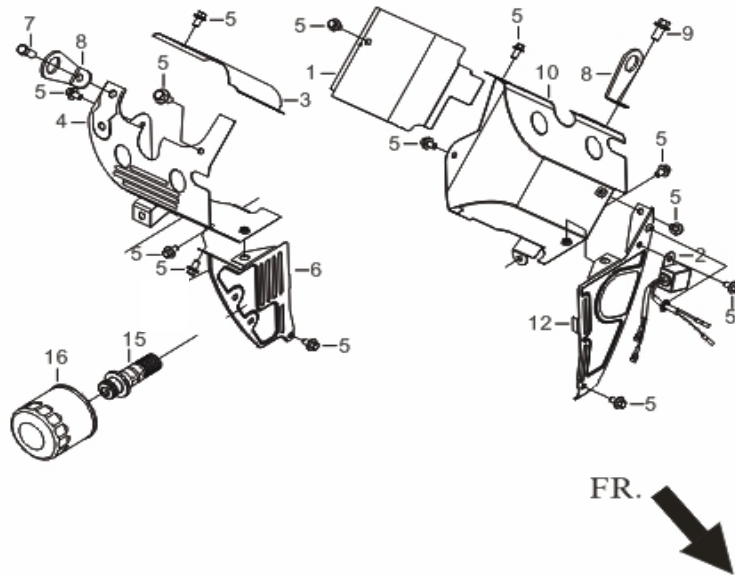
REF.NO	PART NO	DESCRIPTION	Q'TY
E05-1	14310-Z130210-0000	ROCKER SUBASSEMBLY, VALVE	4
E05-2	90573-0600-06	CIRCLIP	4
E05-3	14330-Z130210-0000	SHAFT, VALVE ROCKER	4
E05-5	14070-Z130120-0000	LIFTER SUBASSEMBLY, VALVE	4
E05-6	90408-Z120110-0000	WASHER , FLAT	4
E05-7	14081-Z130110-0000	TAPPET, VALVE	4
E05-8	12109-Z400110-0000	CLAMP, VALVE LOCK	8
E05-9	12112-Z400110-0000	SEAT, VALVE SPRING	4
E05-10	12103-Z130110-0000	SPRING, VALVE	4
E05-11	12101-Z080110-0000	GUIDE, SEAL	4
E05-12	12105-Z130110-0000	RETAINER, VALVE SPRING	2
E05-13	12110-Z130210-0099	VALVE	2
E05-15	14200-Z130210-0000	CAMSHAFT ASSY.	1
E05-16	14215-Z130110-0000	WASHER, CAMSHAFT	1

**FIG.6 OUTER HOUSING ( E08 )**

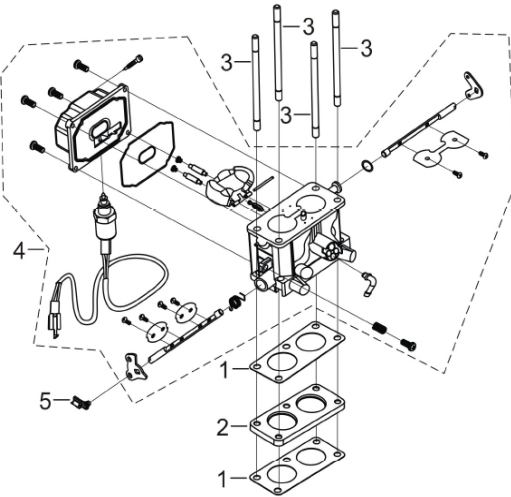


REF.NO	PART NO	DESCRIPTION	Q'TY
E08-1	30028-Z130110-Q200	SHIELD , SHROUD	1
E08-2	90103-0508-A1	BOLT, FLANGE	3
E08-3	90314-Z130210-0000	NUT,	4
E08-4	19330-Z130110-Q200	SHROUD ASSY	1
E08-5	19303HZ130110-Q200	PLATE, FAN SHIELD DECORATED	1
E08-6	24540-Z130110-0000	HANDLE SUBASSEMBLY, LOCK	2

**FIG.7 SHROUD, CYLINDER BODY / SHIELD,LOWER ( E14 )**

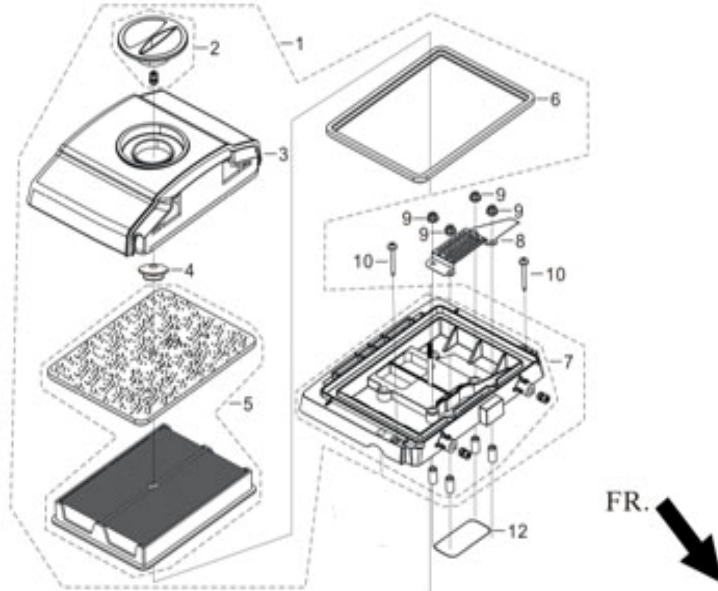


REF.NO	PART NO	DESCRIPTION	Q'TY
E14-1	19305-Z130110-0000	SHROUD 2, CYLINDER BODY	1
E14-2	30003-Z130110-0000	CONDUCTOR , UNILATERALISM	1
E14-3	19304-Z130110-0000	SHROUD, CYLINDER BODY	1
E14-4	19340-Z130110-0000	SHIELD,LOWER	1
E14-5	90001-0610-01	BOLT	13
E14-6	19308-Z130120-0000	SHIELD, CRANKCASE SIDE	1
E14-7	90013-Z130110-0000	BOLT , HEXAGONAL FLANGE SHOULDER	1
E14-8	12008-Z130110-0000	LUG	2
E14-9	90013-Z130210-0000	BOLT , HEXAGONAL FLANGE SHOULDER	1
E14-10	19307-Z130120-0000	SHIELD	1
E14-12	19309-Z130130-0000	SHIELD	1
E14-15	15208-Z130120-0000	TUBE , OIL FILTER INSTALLATION	1
E14-16	15220-Z130120-0000	FILTER SUBASSEMBLY, OIL	1
E14-26	30052-Z120110-0000	GASKET	1
E14-27	30060-Z120210-0000	REGULATOR, VOLTAGE	1

**FIG.8 CARBURETOR ASSY ( E11 )**FR. 

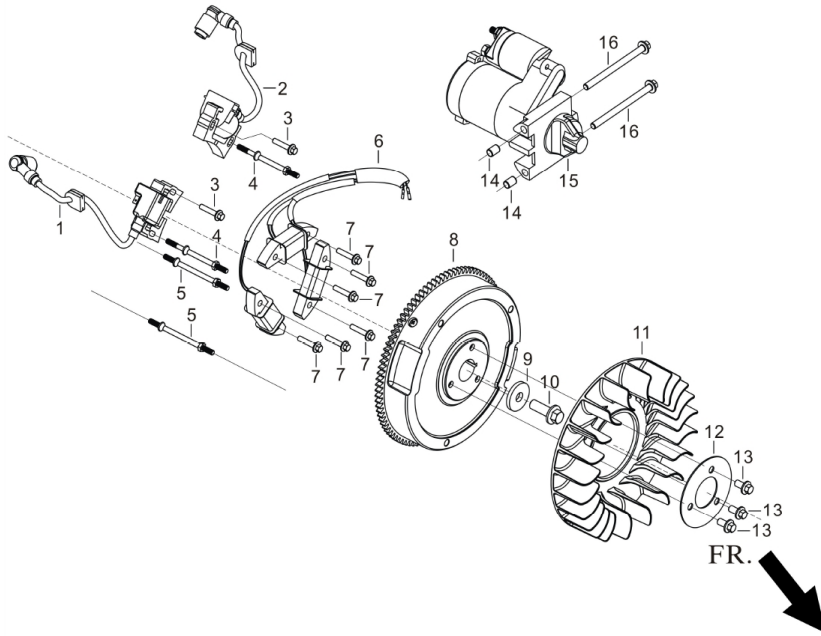
REF.NO	PART NO	DESCRIPTION	Q'TY
E11-1	16001-Z130210-0000	GASKET, CARBURETOR	2
E11-2	16002-Z130120-0000	GASKET, CARBURETOR INSULATOR	1
E11-3	90204-Z130110-0000	STUD	4
E11-4	16100-Z130210-0000	CARBURETOR ASSY-	1
E11-5	16064-Z130110-0000	CLIP, GOVERNOR ROD	1

**FIG.9 CLEANER, AIR ( F02 )**



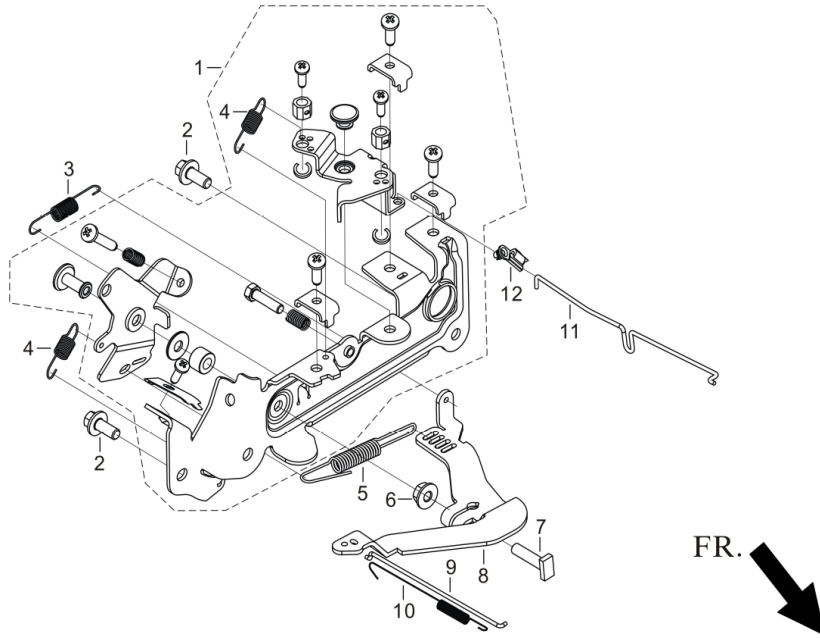
REF.NO	PART NO	DESCRIPTION	Q'TY
F02-1	17100-Z130110-0000	CLEANER, AIR	1
F02-8	12503-Z130210-0000	COVER , INTAKE TUBE	1
F02-9	90305-0600-31	NUT, HEX FLANGE	4
F02-10	90107-4225-51	BOLT, HEXAGONAL SHOULDER	2
F02-12	90692-Z130310-0000	O RING, SEAL	1
新增	90012-Z130120-0000	BOLT, HEXAGONAL SHOULDER	1
新增	17144HZ130120-0000	LUG, AIR CLEANER ELBOW	1
新增	90012-Z130120-0000	BOLT, HEXAGONAL SHOULDER	1
新增	17145HZ130120-0000	LUG, AIR CLEANER ELBOW RIGHT	1

**FIG.10 FLYWHEEL / IMPELLER / STARTER PULLEY / IGNITION COIL E15 )**



REF.NO	PART NO	DESCRIPTION	Q'TY
E15-1	30400-Z130310-0000	COIL, IGNITION	1
E15-2	30400-Z130410-0000	COIL, IGNITION	1
E15-3	90007-0630-01	BOLT, FLANGE	2
E15-4	28001-Z130110-0000	STUD	2
E15-5	28001-Z130210-0000	STUD	2
E15-6	30140-Z130110-0000	COIL SUBASSEMBLY, CHARGE	1
E15-7	90001-0630-01	BOLT, FLANGE	6
E15-8	13500-Z130110-0000	FLYWHEEL ASSY-	1
E15-9	90407-Z130120-0000	WASHER	1
E15-10	13502-Z130110-0000	BOLT , FLYWHEEL	1
E15-11	19352-Z130110-0000	IMPELLER	1
E15-12	13515-Z130110-0000	TRAY, IMPELLER SETTING	1
E15-13	90001-0816-01	BOLT, FLANGE	3
E15-14	90502-1014-00	PIN	2
E15-15	30300-Z130110-0000	MOTOR ASSY,STARTING	1
E15-16	90001-08B0-01	BOLT, FLANGE	2

**FIG.11 CONTROL ASSY, THROTTLE ( E13 )**



REF.NO	PART NO	DESCRIPTION	Q'TY
E13-1	16520-Z120110-0000	CONTROL ASSY, THROTTLE	1
E13-2	90001-0616-01	BOLT, FLANGE	2
E13-3	16063-Z130210-0000	SPRING, GOVERNOR	1
E13-4	16236-Z130110-0000	SPRING, CHOKE RETURN	2
E13-5	16063-Z130110-0000	SPRING, GOVERNOR	1
E13-6	90305-0600-31	NUT, HEX FLANGE	1
E13-7	16072-Z010110-0000	SUPPORT SUBASSEMBLY, GOVERNOR	1
E13-8	16071-Z130110-0000	NUT, HEX FLANGE	1
E13-9	16062-Z130120-0000	ROD, GOVERNEOR	1
E13-10	16012-Z130110-0000	SPRING, THROTTLE VALVE RETURNING	1
E13-11	16123-Z130110-0000	ROD, CHOKE	1
E13-12	16011-Z130120-0000	CLIP, CHOKE ROD	1

**FIG.12 MUFFLER ASSY (F04)**

<b>REF.NO</b>	<b>PART NO</b>	<b>DESCRIPTION</b>	<b>Q'TY</b>
	18100-Z130110-0000	MUFFLER ASSY	1