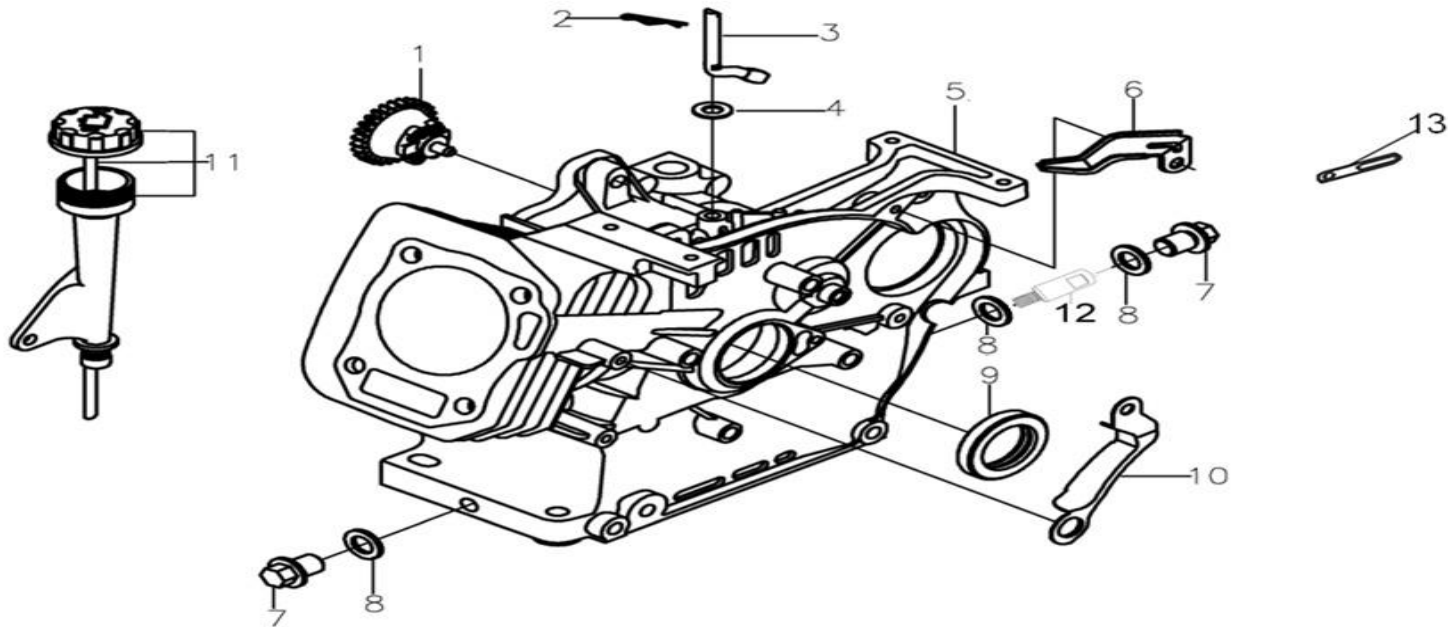


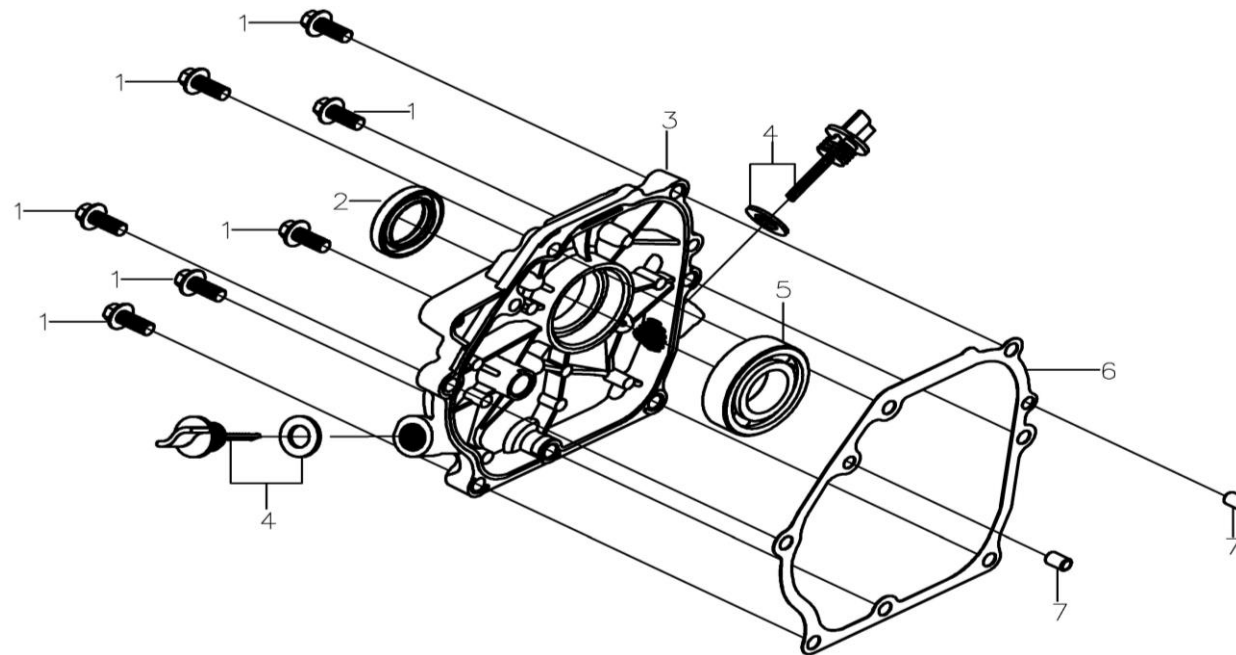
### CYLINDER HEAD

No.	Part No.	Description	Reqd. QTY
1	380140001-0005	Hexagon bolt with flange	4
2	120220022-0001	Cylinder head cover assy	1
3	380740571-0001	Breather tube	1
4	120250013-0001	Gasket for cylinder head cover	1
5	270960014-0001	Spark plug	1
6	380140336-0001	Hexagon bolt with flange	4
7	380180109-0001	Stud	2
8	180650077-0001	Outlet gasket	1
9	120080333-0001	Cylinder head	1
10	120150107-0001	Gasket for cylinder head	1
11	380600117-0001	Location pin	2
12	380180093-0001	Stud	2



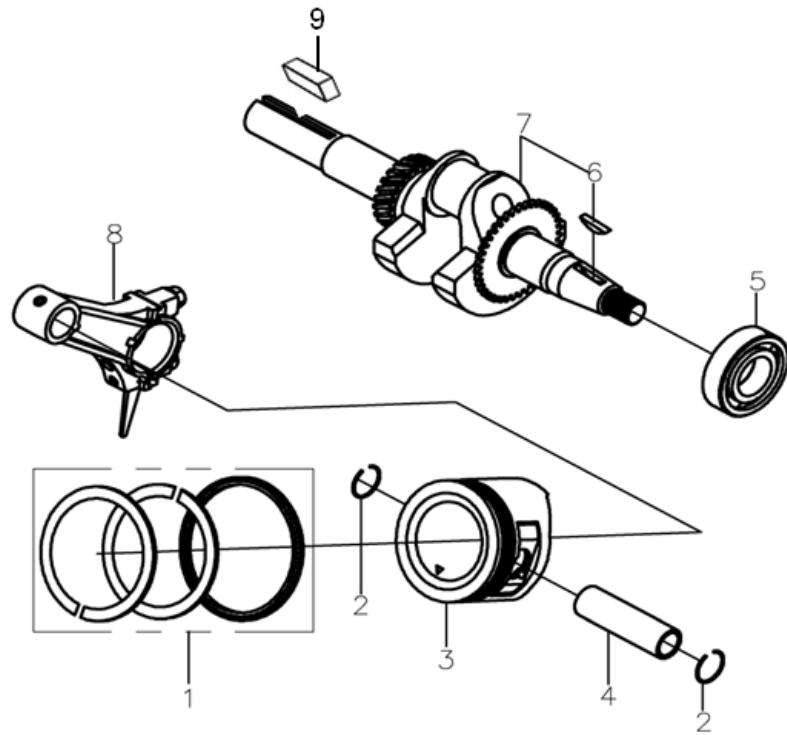
### CRANK CASE

No.	Part No.	Description	Reqd. QTY
1	171750001-0001	Components of governor gear	1
2	381350004-0001	Split pin	1
3	171630001-0001	Speed regulating arm	1
4	380450531-0001	Flat washer	1
5	110810316-0001	Crankcase body	1
6	270280019-0001	Pressing plate	1
7	110260025-0001	Sealing plug screw	2
8	380450514-0001	Flat washer	3
9	380650490-0001	Oil seal	1
10	380940585-0001	Cable cleat	1
11	110690082-0001	Oil rule combination	1
12	110940004-0001	Extension bar for bleeding	1
13	380940346-0003	Cable cleat	1



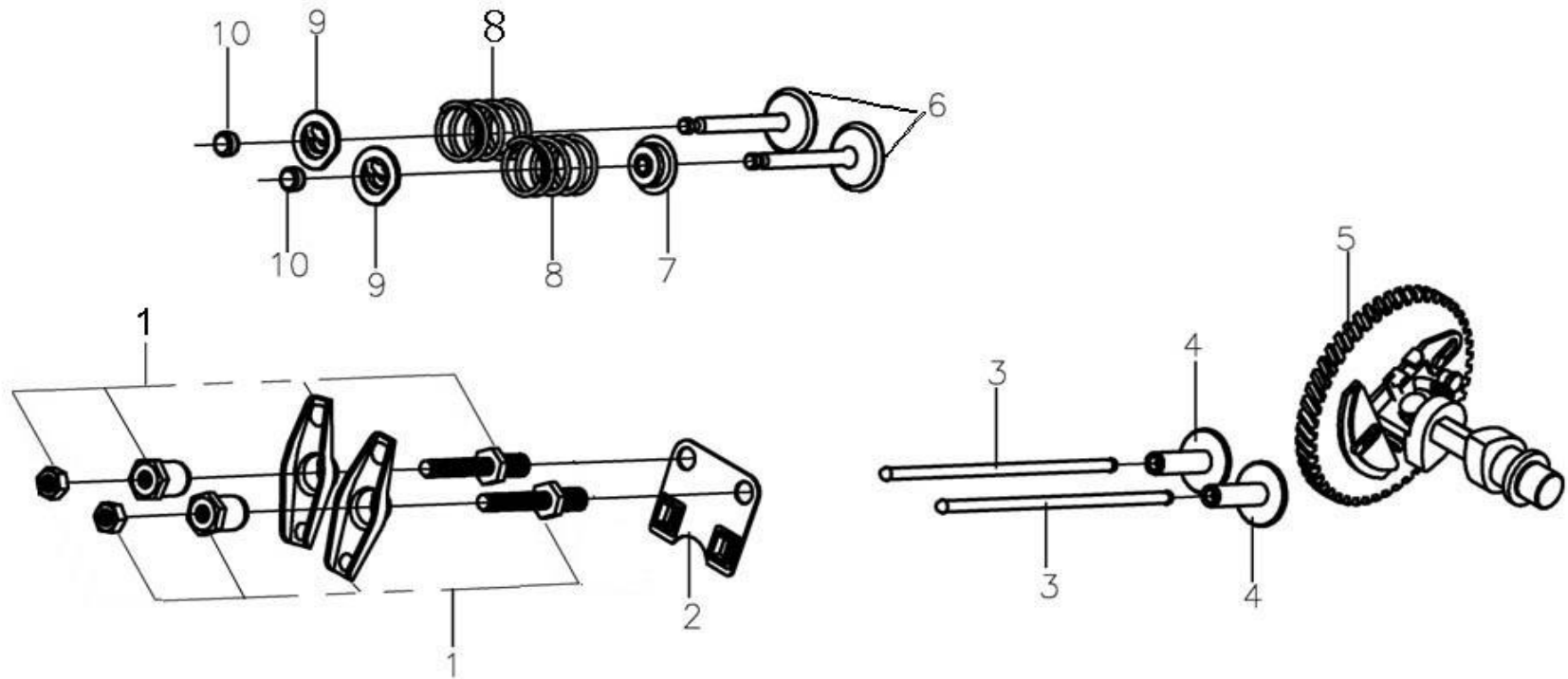
### CRANKCASE COVER

No.	Part No.	Description	Reqd. QTY
1	380140028-0004	Hexagon bolt with flange	6
2	380650491-0001	Oil seal	1
3	110820028-0001	Crankcase cover	1
4	110690096-0004	Oil rule combination	2
5	380630137-0002	Bearing	1
6	380600120-0001	ocation pin	2
7	110830030-0001	Crankcase cover gasket	1



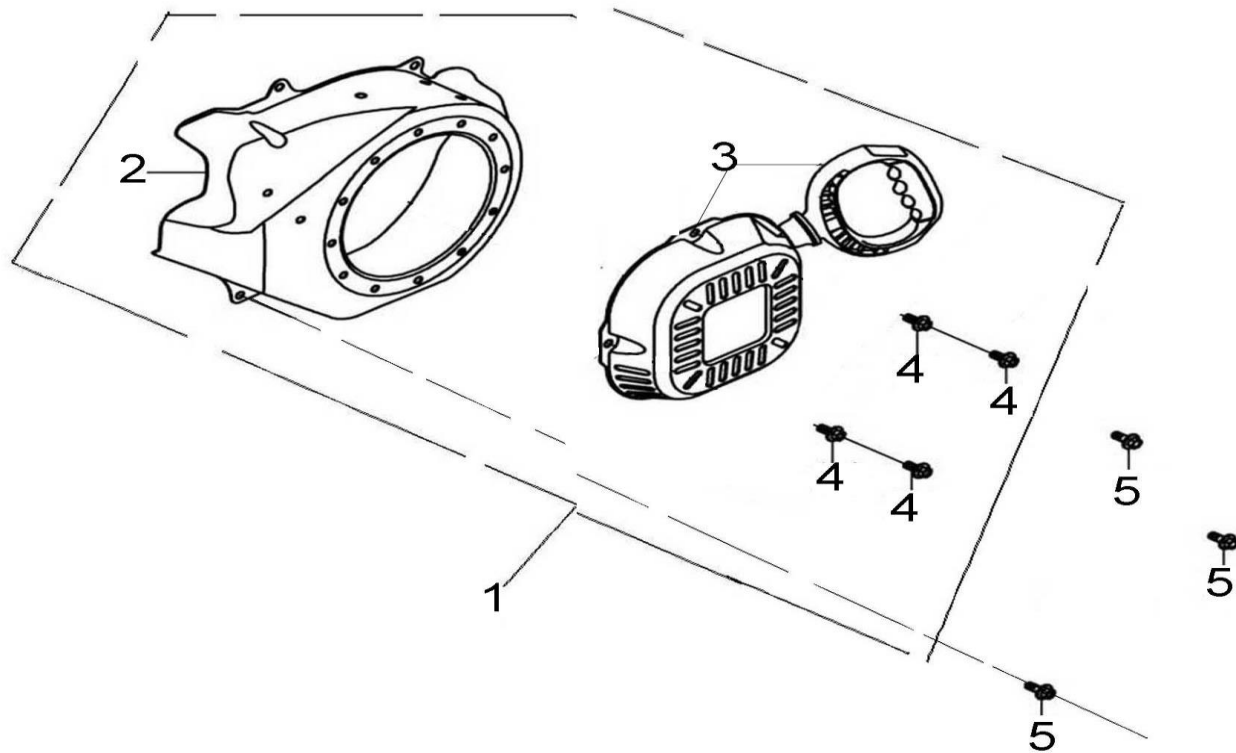
### CRANKSHAFT PISTON

No.	Part No.	Description	Reqd. QTY
1	130070187-0001	Piston ring combination	1
2	380560056-0001	#N/D	2
3	130030208-0001	Piston	1
4	130060031-0001	Piston pin	1
5	380630137-0002	Bearing	1
6	380620050-0001	Key	1
7	130290246-0002	crankshaft	1
8	130150054-0001	Connecting rod	1
9	380620040-0001	Key	1



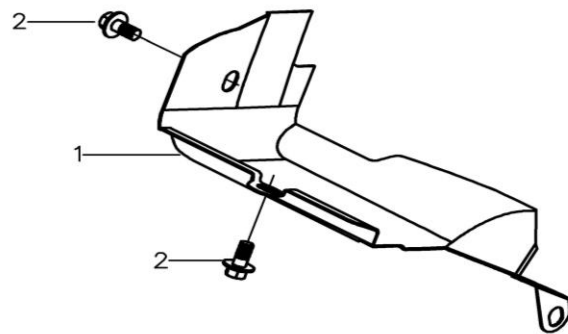
### CAMSHAFT

No.	Part No.	Description	Reqd. QTY
1	140450022-0001	Valve rocker combination	2
2	140710001-0001	Plate, push rod guide	1
3	140670004-0001	Tappet combination	2
4	140690003-0001	Lifter, Valve	2
5	140020114-0001	Camshaft assy	1
6	500550130-0001	Valve Kit	1
7	140400016-0001	Valve oil seal	1
8	140340039-0001	Inner spring of valve	2
9	140380068-0001	Retainer, valve spring	2
10	140320001-0001	Valve adjustment cap	2



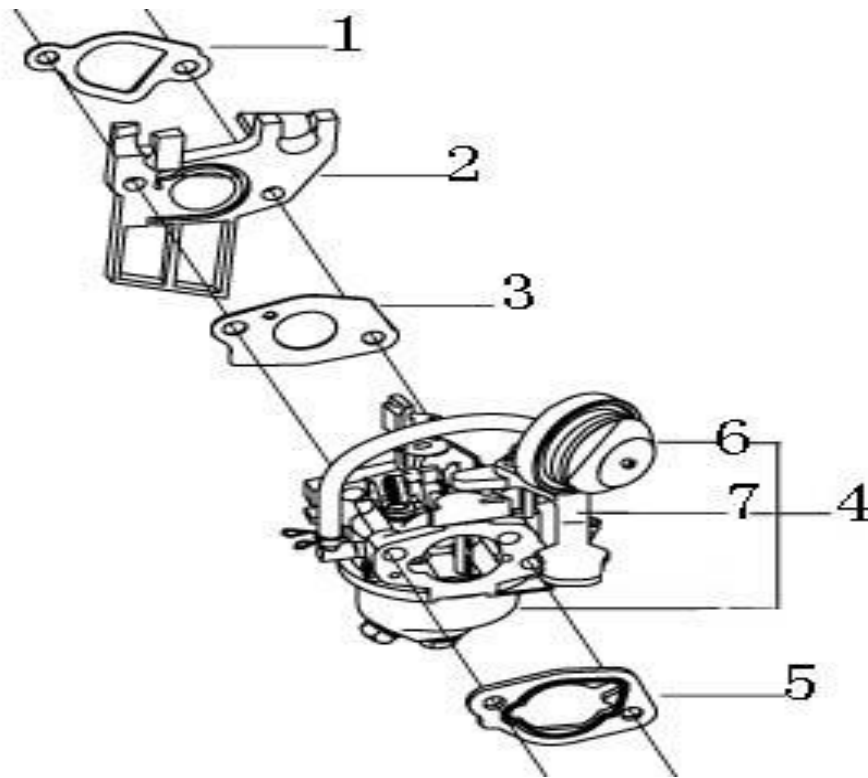
### STARTER SUBASSEMBLY

No.	Part No.	Description	Reqd. QTY
1	193490122-0003	Manual starting assembly	1
2	160210040-T153	Fan cover comp.	1
3	193500080-T153	Manual starting components	1
4	380140531-0001	Hexagon bolt with flange	4
5	380140001-0005	Hexagon bolt with flange	4



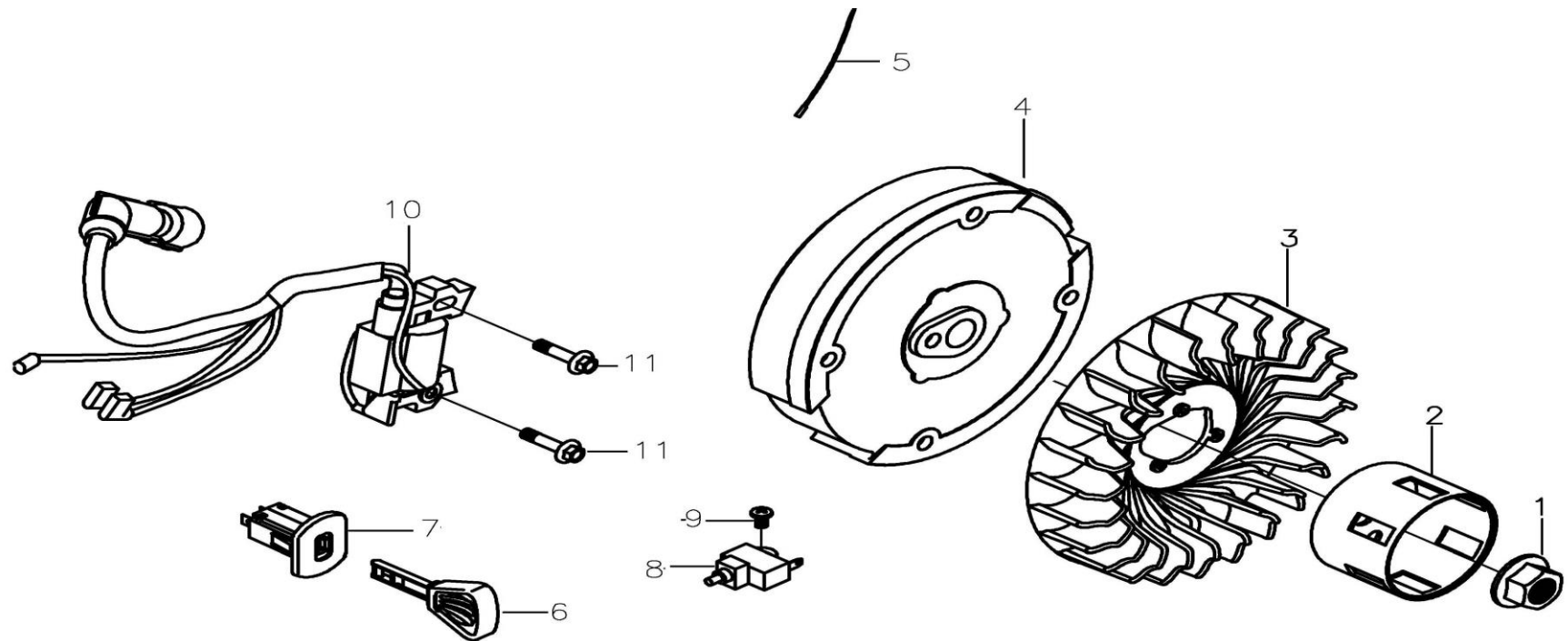
**DIVERSION ASSY**

No.	Part No.	Description	Reqd. QTY
1	160190048-0001	air deflector	1
2	380140089-0003	Hexagon bolt with flange	2



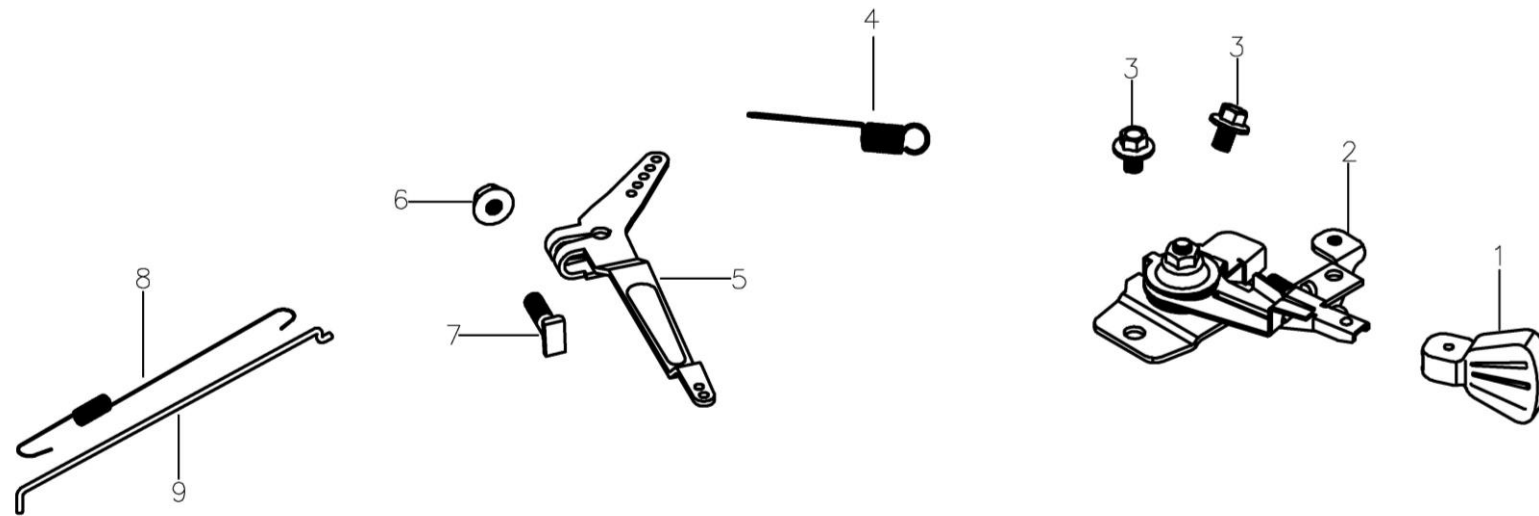
### CARBURETOR

No.	Part No.	Description	Reqd. QTY
1	170430060-0001	Carburetor gasket	1
2	170440038-0001	Heat insulating pad for carburetor	1
3	170430048-0001	Carburetor gasket	1
4	170022288-0001	Carburetor	1
5	170430065-0001	Carburetor gasket	1
6	173390001-0001	Starting pump	1
7	271460070-0001	LEVER, CHOKE	1



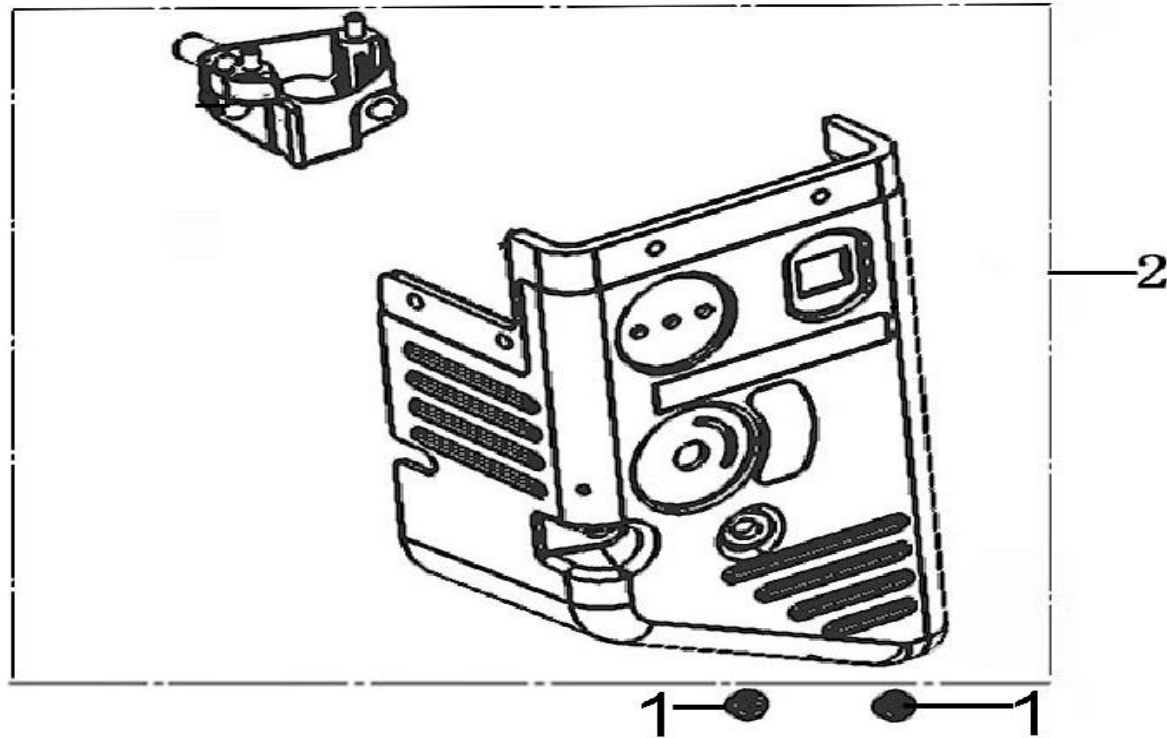
### FLYWHEEL COIL ASSY

No.	Part No.	Description	Reqd. QTY
1	380370051-0001	Hexagon nut with flange	1
2	193590017-0001	Starting disc	1
3	160180023-0001	Impeller	1
4	270020139-0001	FLYWHEEL COMP	1
5	380900062-0001	Strap	1
6	273210001-0003	Switch off key	1
7	271660054-0001	Stop switch	1
8	271660026-0001	Stop switch	1
9	380200008-0005	Cross recessed pan head screw	1
10	270920479-0001	COIL ASSY.,IGNNTION	1
11	380140102-0004	Hexagon bolt with flange	2



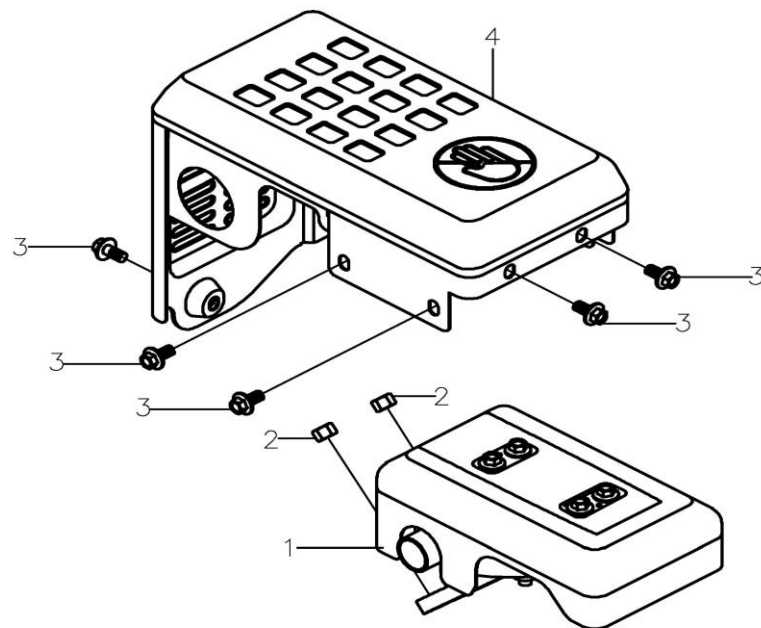
### CONTROL SYSTEM

No.	Part No.	Description	Reqd. QTY
1	173710004-0001	Throttle handle Rubber sleeve	1
2	171680056-0001	Throttle handle combination	1
3	380140011-0004	Hexagon bolt with flange	2
4	171600031-0001	Governing spring	1
5	171620018-0004	Speed regulating bracket	1
6	380370066-0001	Hexagon nut with flange	1
7	380250002-0001	Square head set screw with flat point	1
8	171610002-0001	throttle return spring	1
9	171590002-0001	Throttle rod	1



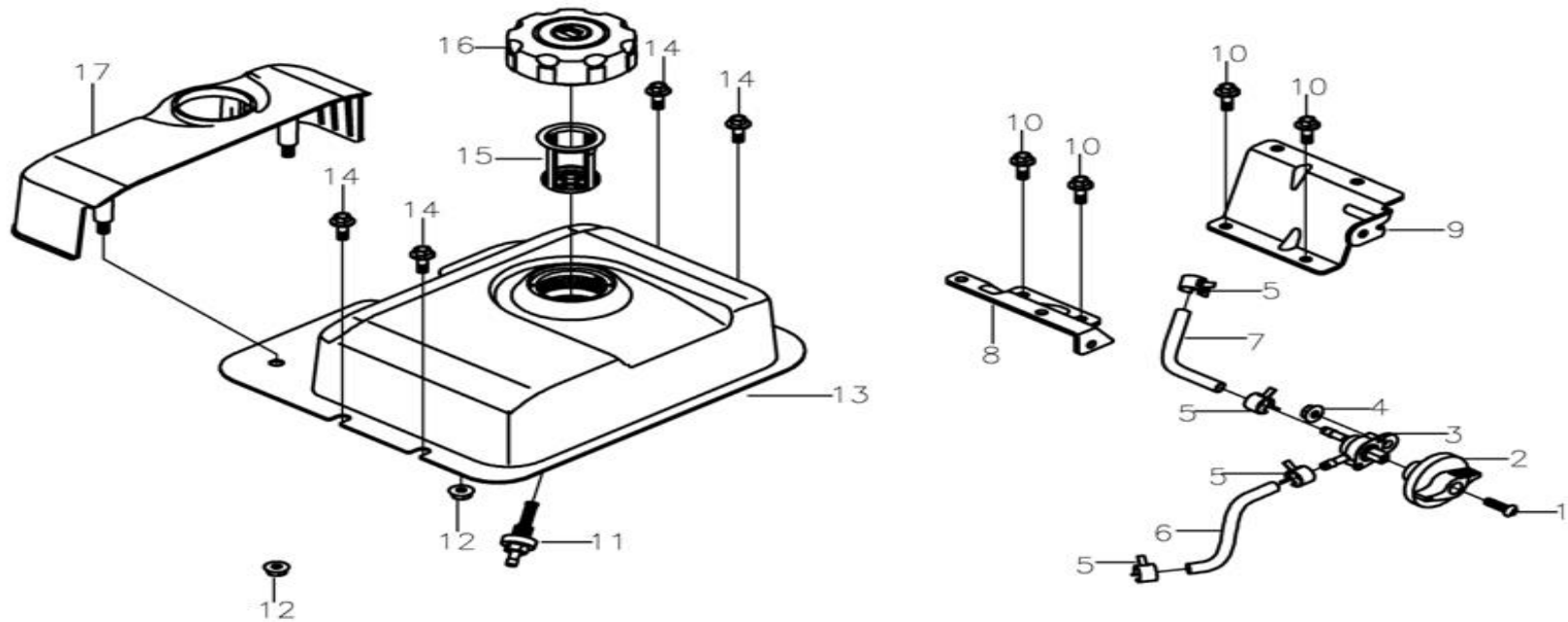
### AIR CLEANER

No.	Part No.	Description	Reqd. QTY
1	380370048-0003	Hexagon nut with flange	2
2	180020680-0002	Air filter	1



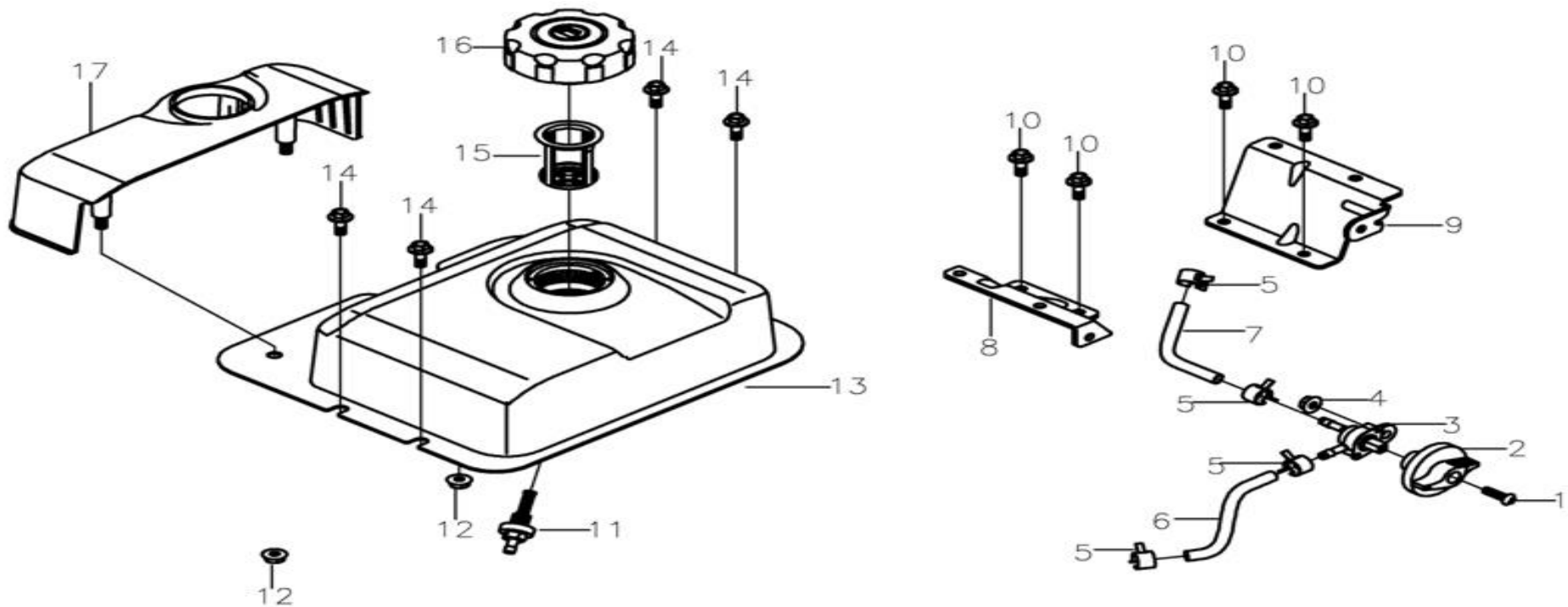
## MUFFLER

No.	Part No.	Description	Reqd. QTY
1	180571634-0002	Muffler	1
2	380340005-0005	Hexagon nut	2
3	380140215-0004	Hexagon bolt with flange	5
4	180960096-0001	Muffler guard shield	1



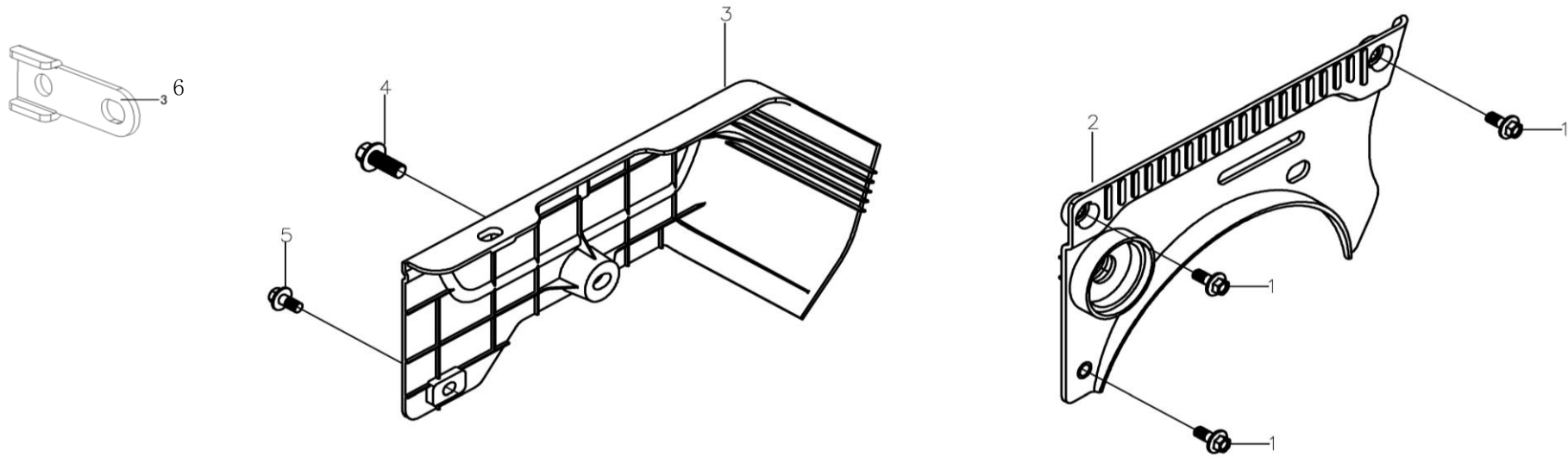
### FUEL TANK

No.	Part No.	Description	Reqd. QTY
1	380200071-0002	Cross recessed pan head screw	1
2	173260001-0002	Oil switch knob	1
3	170980081-0001	Components of oil switch	1
4	380370048-0001	Hexagon nut with flange	1
5	380960121-0005	Clip combination	4
6	380750457-0001	Oil tube	1
7	380750459-0001	Oil tube	1
8	172840024-0001	Tank supporting bracket	1
9	172840021-0001	Tank supporting bracket	1
10	380140215-0003	Hexagon bolt with flange	4
11	170660077-0001	Tank oilout	1
12	380370048-0001	Hexagon nut with flange	2
13	170500695-0005	Tank	1
14	380140001-0005	Hexagon bolt with flange	4



### FUEL TANK

No.	Part No.	Description	Reqd. QTY
15	170720009-0001	Pouring orifice filter screen combination	1
16	170870074-0001	Tank cover	1
17	343210030-0001	Tank decoration cover	1



### COVER

No.	Part No.	Description	Reqd. QTY
1	380140215-0004	Hexagon bolt with flange	3
2	661280013-0001	Power Decorative plates	1
3	661280014-0001	Power Decorative plates	1
4	380140091-0006	Hexagon bolt with flange	1
5	380140003-0007	Hexagon bolt with flange	1
6	661650001-0001	Power Decorative plates Support	1