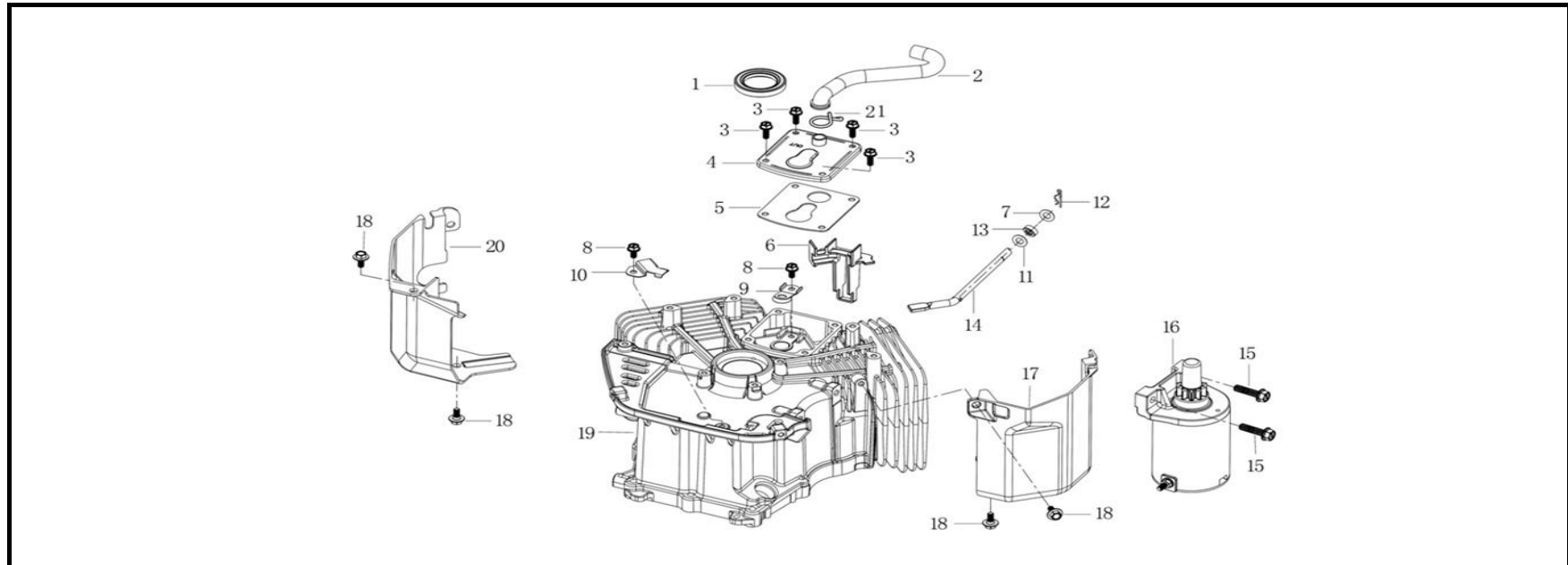


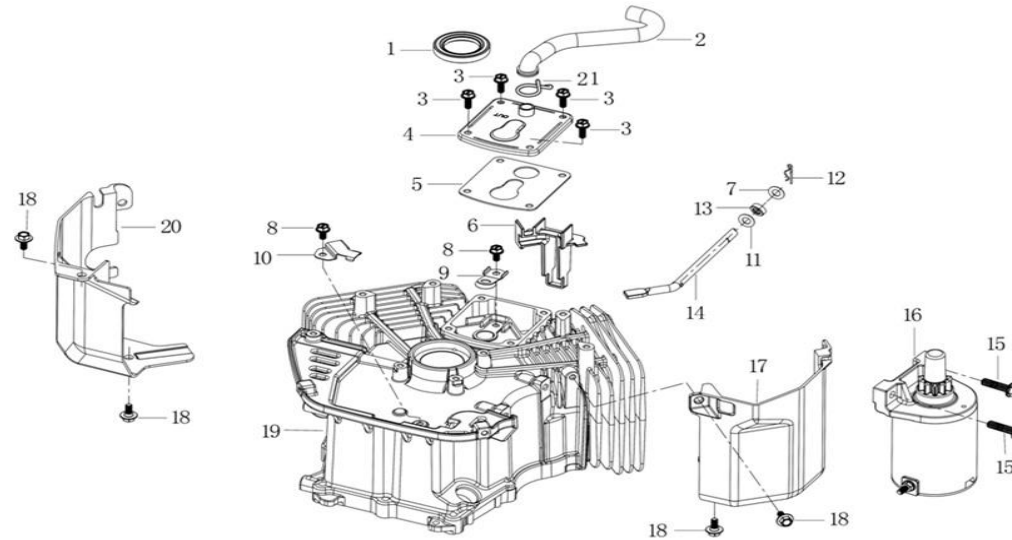
### CYLINDER HEAD ASSY

No.	Part No.	Description	Reqd. QTY
1	380140103-0004	Hexagon bolt with flange	8
2	120220090-0001	Cylinder head cover assy	2
3	120250071-0001	Gasket for cylinder head cover	2
4	270960046-0001	Spark plug	2
5	380140455-0001	Hexagon bolt with flange	6
6	380140456-0001	Hexagon bolt with flange	4
7	120081016-0001	Cylinder head	1
8	120081017-0001	Cylinder head	1
9	120150260-0001	Gasket for cylinder head	2
10	380600129-0001	ocation pin	4
11	380180109-0001	Stud	4
12	180650074-0001	Outlet gasket	2
13	380460001-0006	Elastic washer	4
14	380340005-0005	Hexagon nut	4



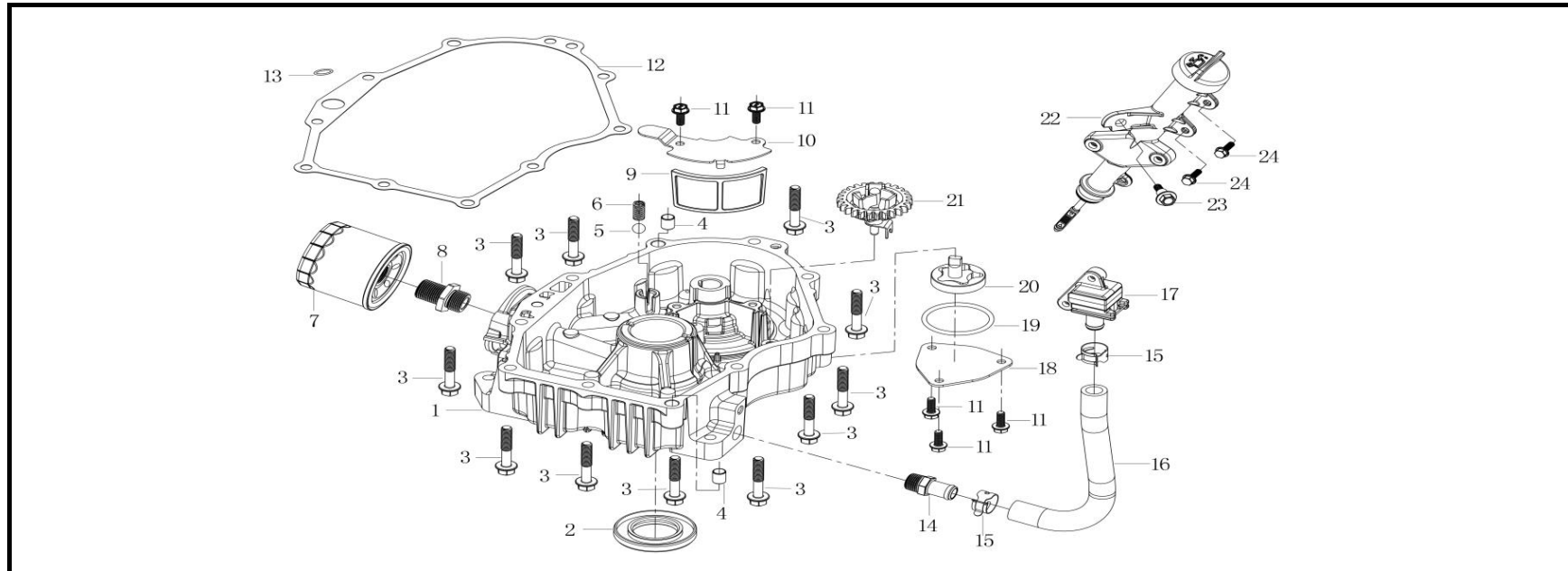
### CRANKCASE

No.	Part No.	Description	Reqd. QTY
1	380650337-0001	Oil seal	1
2	380741529-0001	Breather tube	1
3	380140013-0005	Hexagon bolt with flange	4
4	110840048-0001	CAP,BREATHER CHAMBER	1
5	110850033-0001	PACKING, BREATHER CHAMBER	1
6	662850001-0001	FILTER BLOCK BRACKET	1
7	380450559-0001	Flat washer	1
8	380140067-0003	Hexagon bolt with flange	2
9	140250022-0001	Leaf valve	1
10	380940779-0001	Cable cleat	1
11	380450522-0002	Flat washer	2
12	381350004-0001	Pin clip	1
13	380650339-0001	Oil seal	1



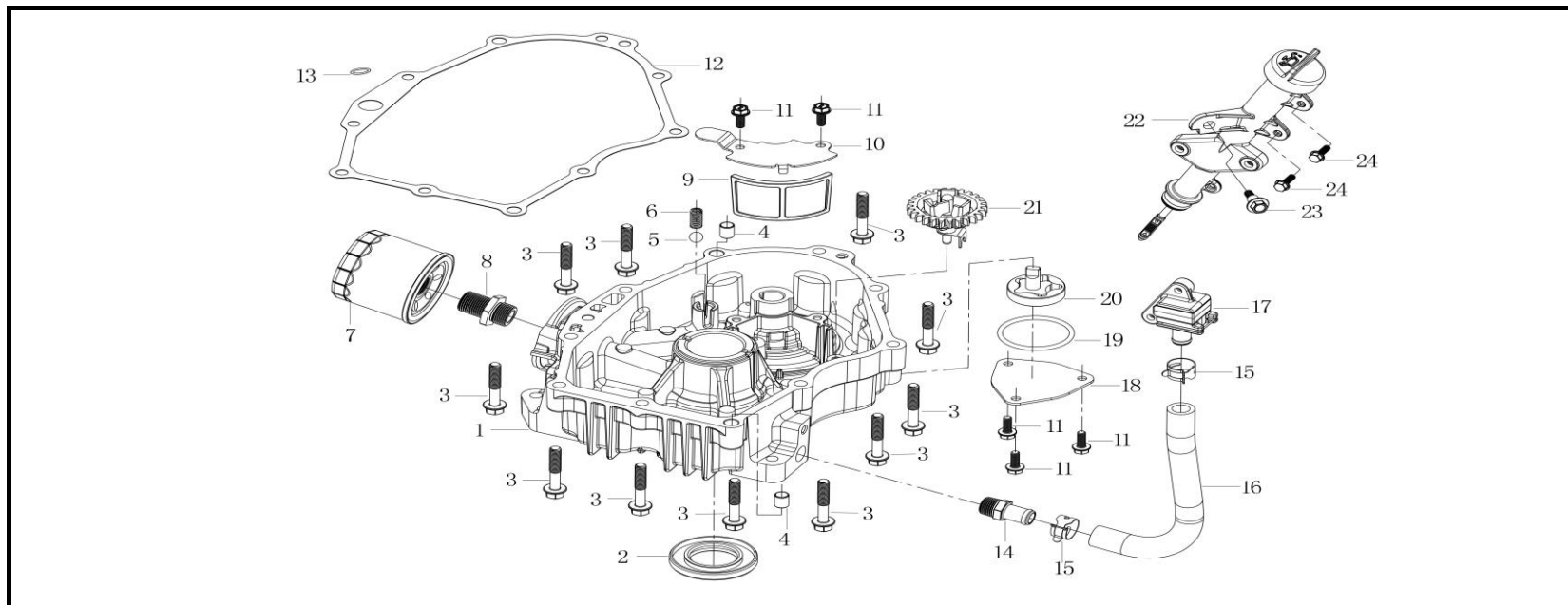
### CRANKCASE

No.	Part No.	Description	Reqd. QTY
14	171630013-0001	Speed regulating arm	1
15	380140595-0001	Hexagon bolt with flange	2
16	270360154-0002	Components of starting motor	1
17	160190130-0001	air deflector	1
18	380020070-0001	Hexagon shaft shoulder bolt	4
19	110810491-0001	Crankcase body	1
20	160190129-0001	air deflector	1
21	380950400-0001	Pipe clip	1



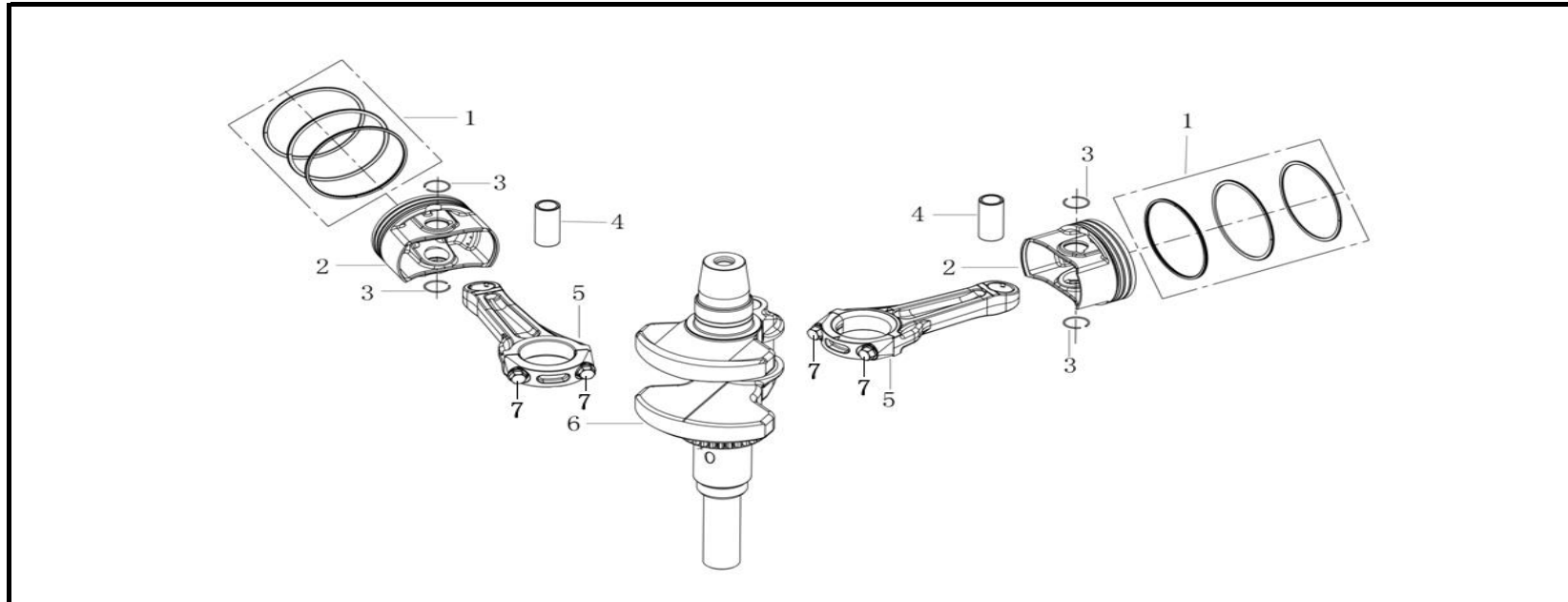
### CRANKCASE COVER

No.	Part No.	Description	Reqd. QTY
1	110820281-0001	Crankcase cover	1
2	380650770-0001	Oil seal	1
3	380140152-0002	Hexagon bolt with flange	10
4	380600123-0001	ocation pin	2
5	380640016-0001	Steel ball	1
6	381150437-0001	Compression spring	1
7	150350046-0002	Oil filter	1
8	150840002-0002	Oil filter Mounting bolts	1
9	150290044-0001	Engine oil Strainer	1
10	150340022-0001	Cover,Oil Strainer	1
11	380140013-0005	Hexagon bolt with flange	5
12	110830074-0001	Crankcase cover gasket	1
13	380840443-0002	Seal ring	1



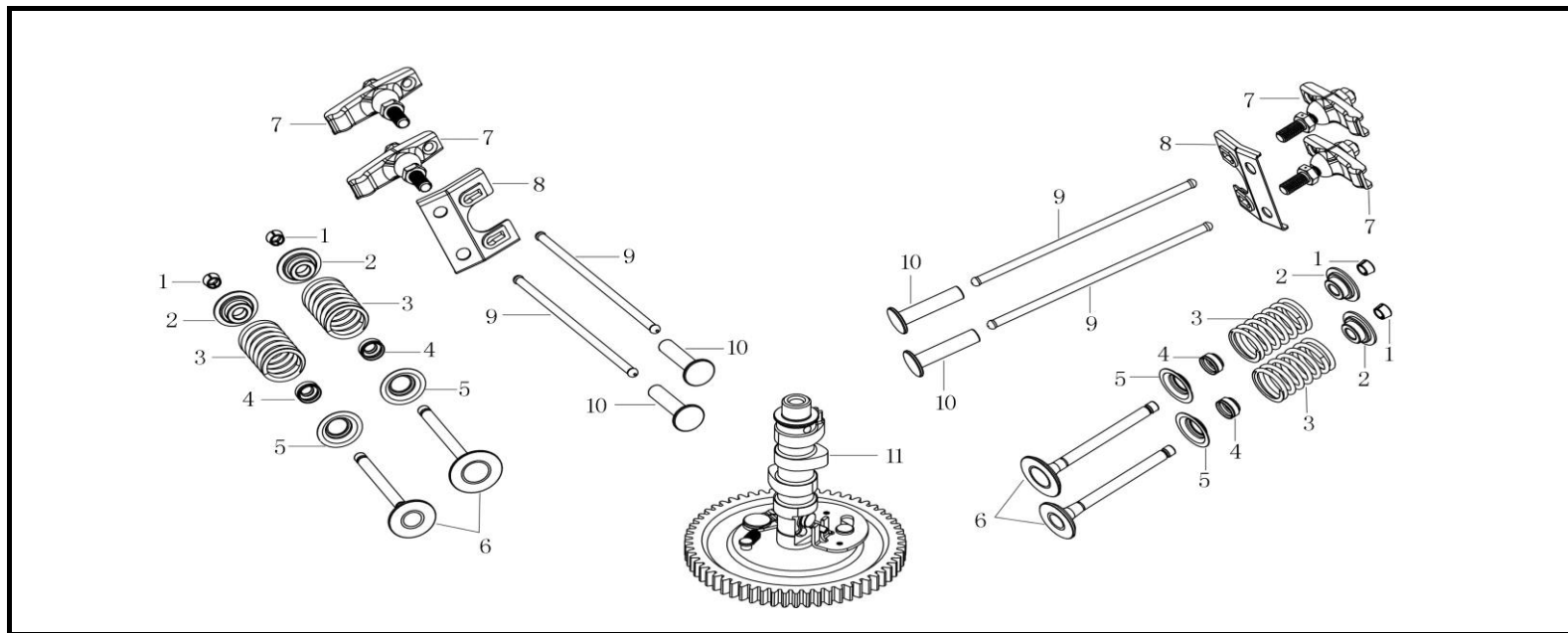
### CRANKCASE COVER

No.	Part No.	Description	Reqd. QTY
14	110950005-0001	Joint of extension bar for bleeding	1
15	380960274-0001	Clip combination	2
16	380751099-0002	Oil tube	1
17	662870001-0001	VALVE-DRAIN, OIL	1
18	150040059-0001	Oil pump cover	1
19	380840665-0002	Seal ring	1
20	150010076-0001	Components of oil pump	1
21	171750051-0001	Components of governor gear	1
22	110690126-0002	Oil rule combination	1
23	380020087-0001	Hexagon shaft shoulder bolt	1
24	380140049-0003	Hexagon bolt with flange	2



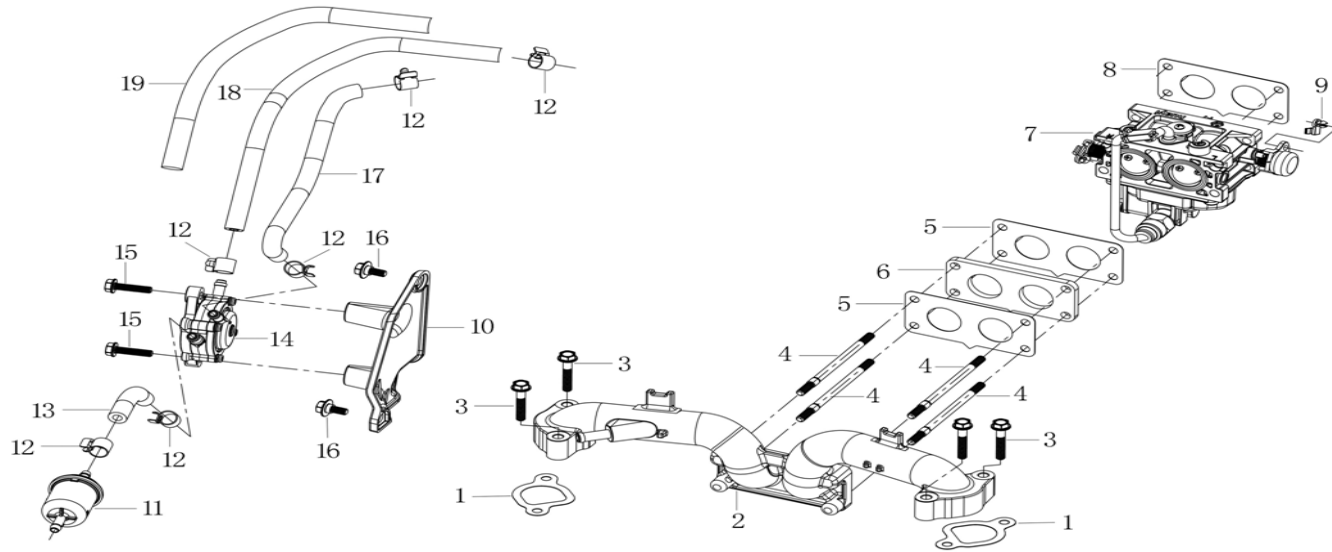
### CRANKSHAFT PISTON

No.	Part No.	Description	Reqd. QTY
1	130070273-0001	Piston ring combination	2
2	130030313-0001	Piston	2
3	380560078-0001	Steel cable baffle ring	4
4	130060085-0001	Piston pin	2
5	130150157-0002	Connecting rod	2
6	130290666-0001	crankshaft	1
7	130180031-0001	Connecting rod bolt	4



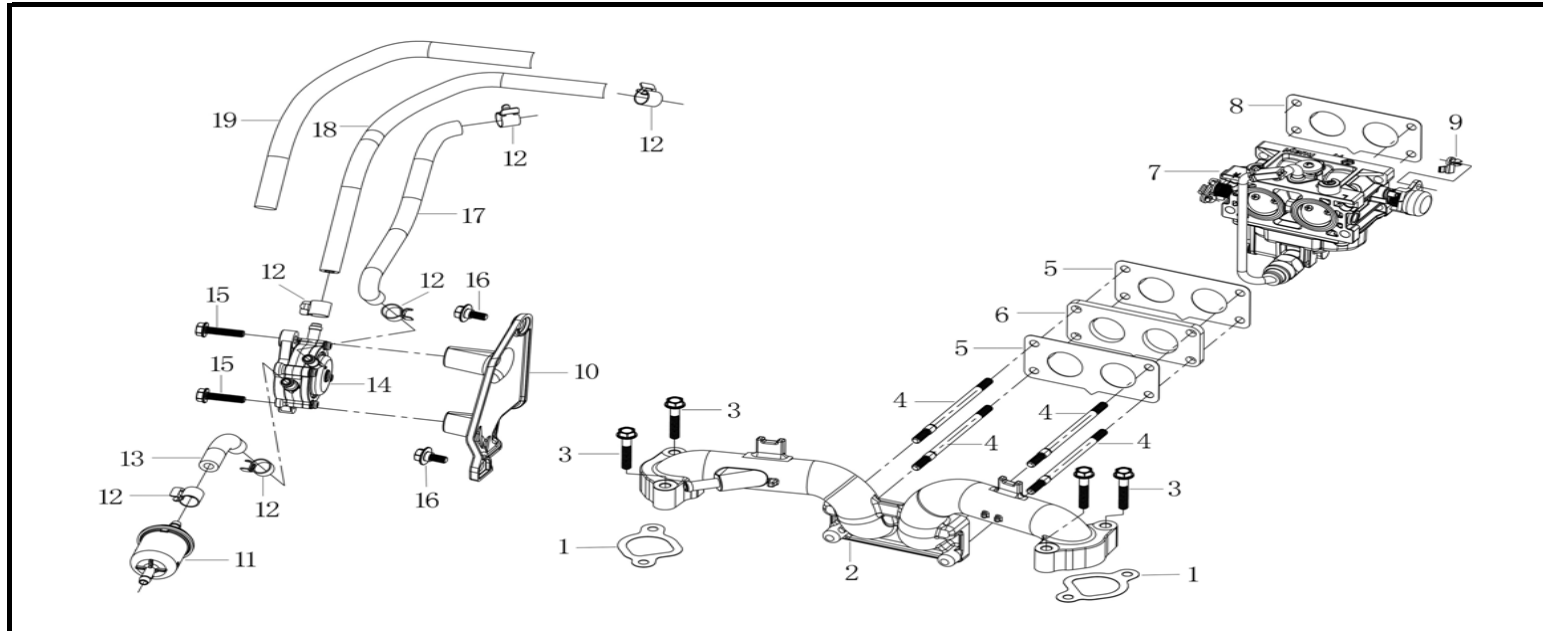
### ROCKER,CAMSHAFT

No.	Part No.	Description	Reqd. QTY
1	140390015-0001	Valve locker	8
2	140380021-0001	Retainer, valve spring	4
3	140340025-0001	Inner spring of valve	4
4	140400012-0001	Valve oil seal	4
5	140360010-0001	Seat, valve spring	4
6	500550103-0001	Valve Kit	2
7	140450035-0002	Valve rocker combination	4
8	140710020-0001	Plate, push rod guide	2
9	140670070-0001	Push rod	4
10	140690017-0001	Lifter, Valve	4
11	140020231-0001	Camshaft assy	1



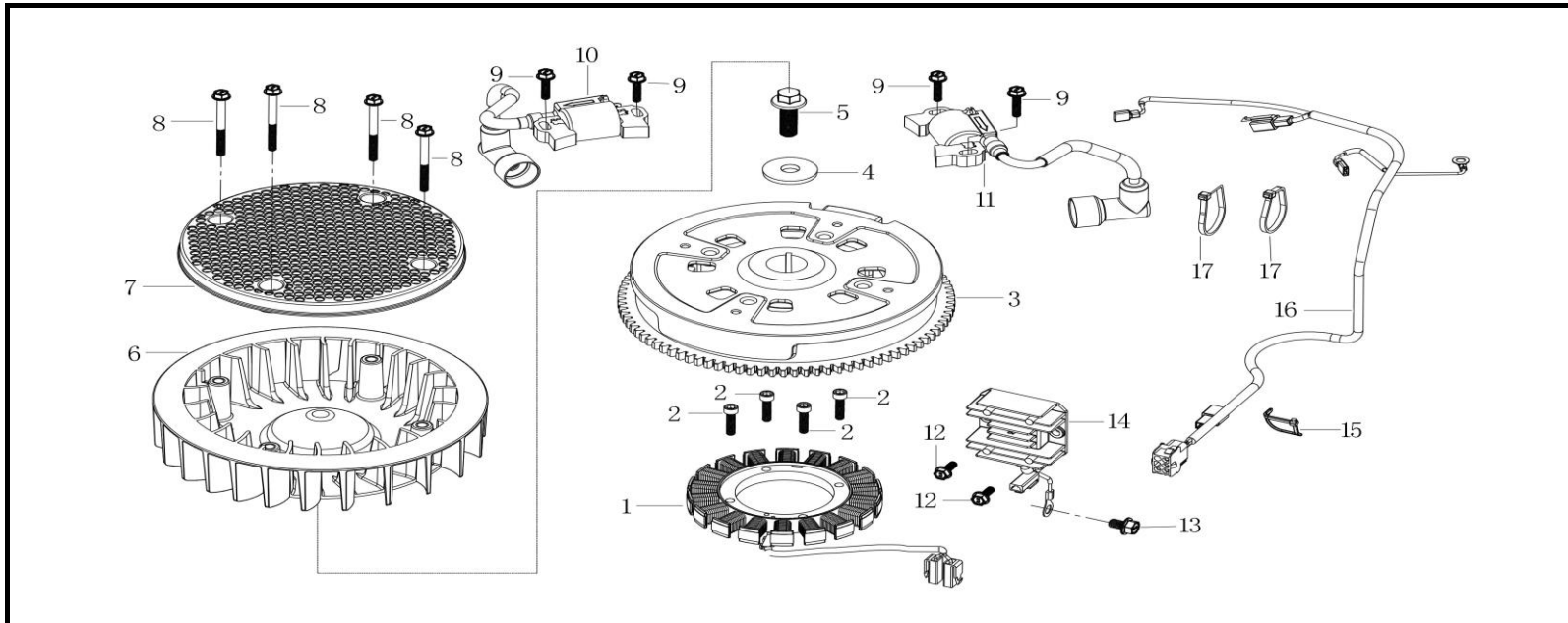
**CARBURETOR**

No.	Part No.	Description	Reqd. QTY
1	170430106-0001	Carburetor gasket	2
2	180420825-0001	Intake pipe	1
3	380140100-0003	Hexagon bolt with flange	4
4	380180093-0001	Stud	4
5	170430227-0001	Carburetor gasket	2
6	170440120-0001	Heat insulating pad for carburetor	1
7	170022143-0002	Carburetor	1
8	170430184-0001	Carburetor gasket	1
9	173090003-0001	Locker of choke valve pull rob	1
10	170470038-0001	Gasoline pump bracket	1
11	170010045-0001	Fuel filter	1
12	380960287-0001	Clip combination	6



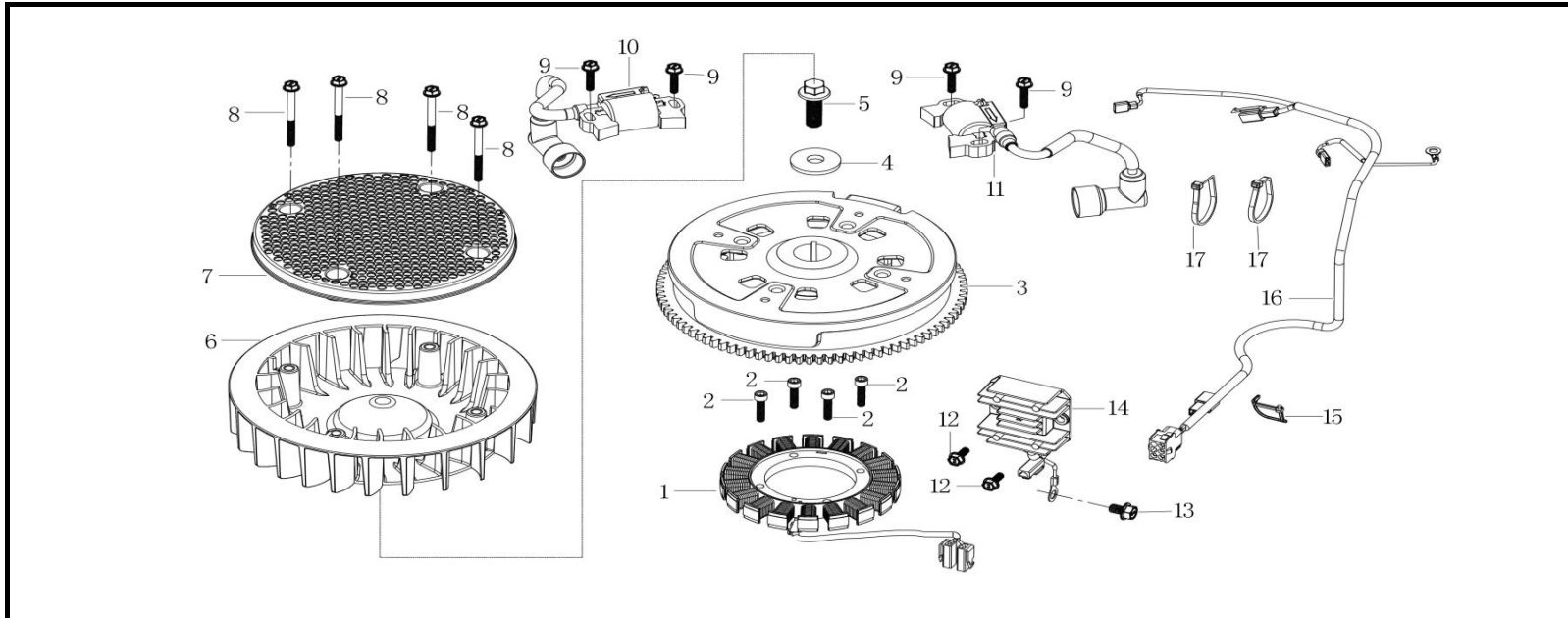
### CARBURETOR

No.	Part No.	Description	Reqd. QTY
13	380751189-0001	Oil tube	1
14	170460039-0001	Gasoline pump	1
15	380140103-0004	Hexagon bolt with flange	2
16	380020070-0001	Hexagon shaft shoulder bolt	2
17	380741377-0002	Breather tube	1
18	380751200-0001	Oil tube	1
19	380770339-0002	PROTECTIVE SLEEVE	1



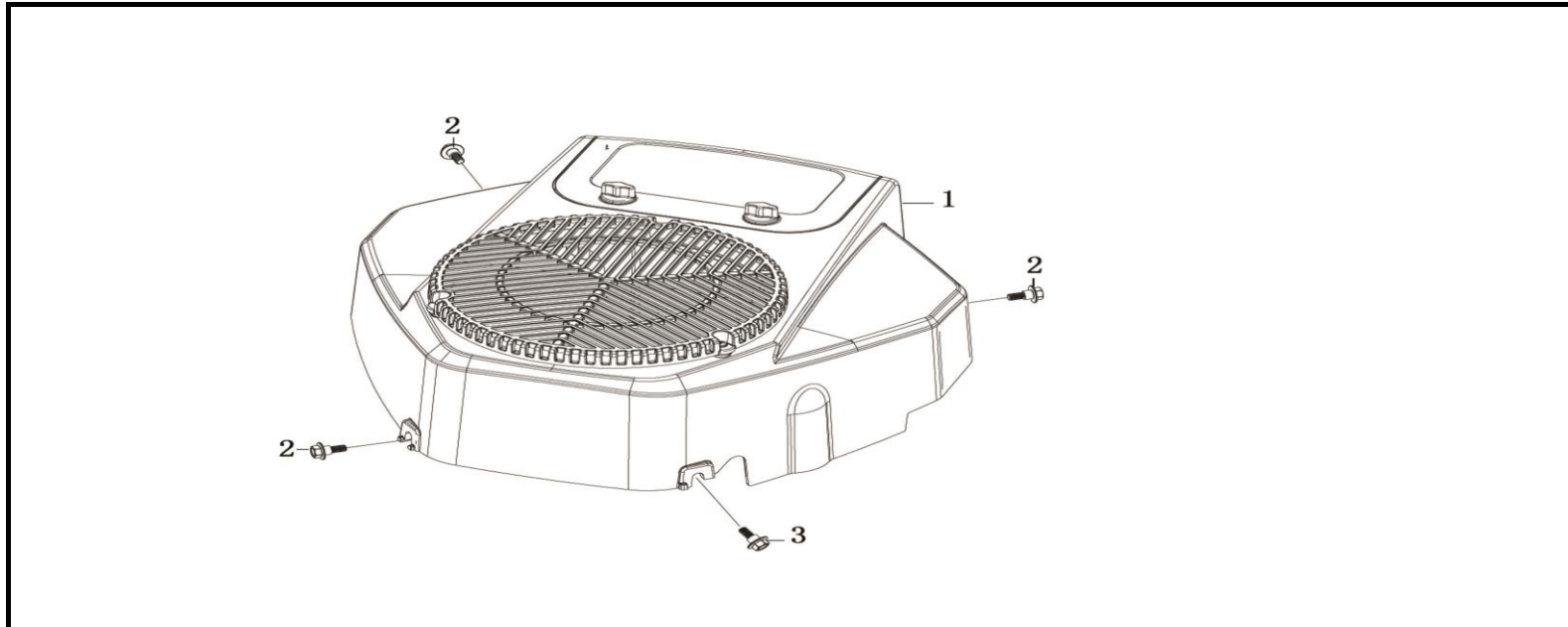
**FLYWHEEL**

No.	Part No.	Description	Reqd. QTY
1	270190061-0002	Components of charging current armature	1
2	380190039-0005	Socket head screw	4
3	270020439-0001	FLYWHEEL COMP	1
4	380450702-0001	Flat washer	1
5	380140457-0001	Hexagon bolt with flange	1
6	160180048-0001	Impeller	1
7	160850007-0001	Impeller cover	1
8	380140769-0001	Hexagon bolt with flange	4
9	380140103-0004	Hexagon bolt with flange	4
10	270920452-0002	COIL ASSY.,IGNNTION	1
11	270920453-0002	COIL ASSY.,IGNNTION	1
12	380140013-0005	Hexagon bolt with flange	2
13	380140040-0005	Hexagon bolt with flange	1



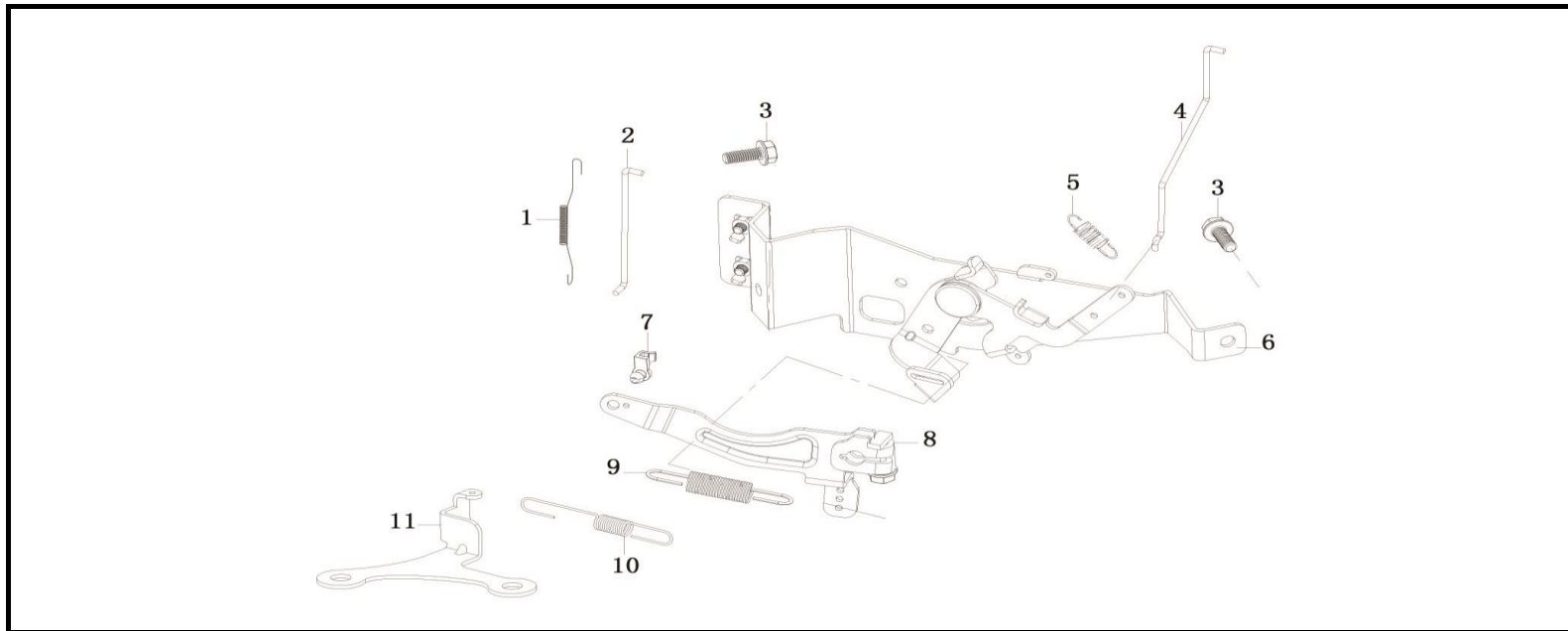
**FLYWHEEL**

No.	Part No.	Description	Reqd. QTY
14	270880264-0002	RectifierVariable voltage rectifier	1
15	380900062-0001	Strap	1
16	271280184-0002	Connecting wire	1
17	380900061-0002	Strap	2



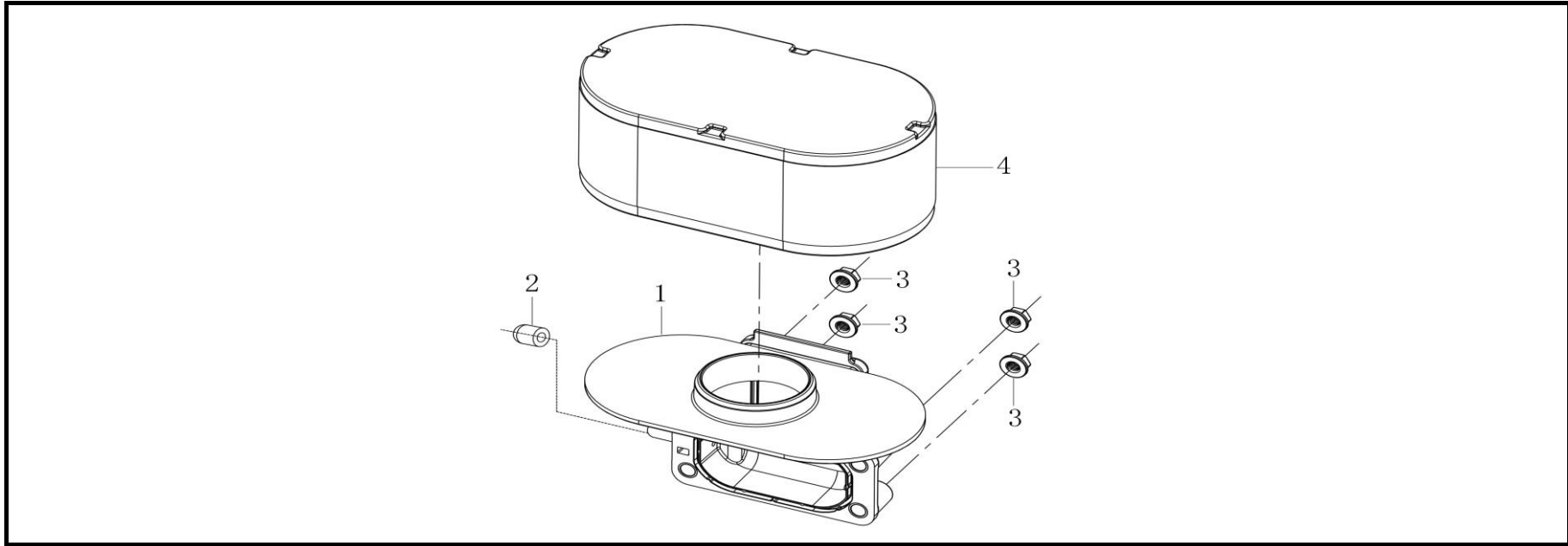
**FAN COVER ASSY**

No.	Part No.	Description	Reqd. QTY
1	160210219-0001	Fan cover comp.	1
2	380020215-0001	Hexagon shaft shoulder bolt	3
3	380020108-0001	Hexagon shaft shoulder bolt	1



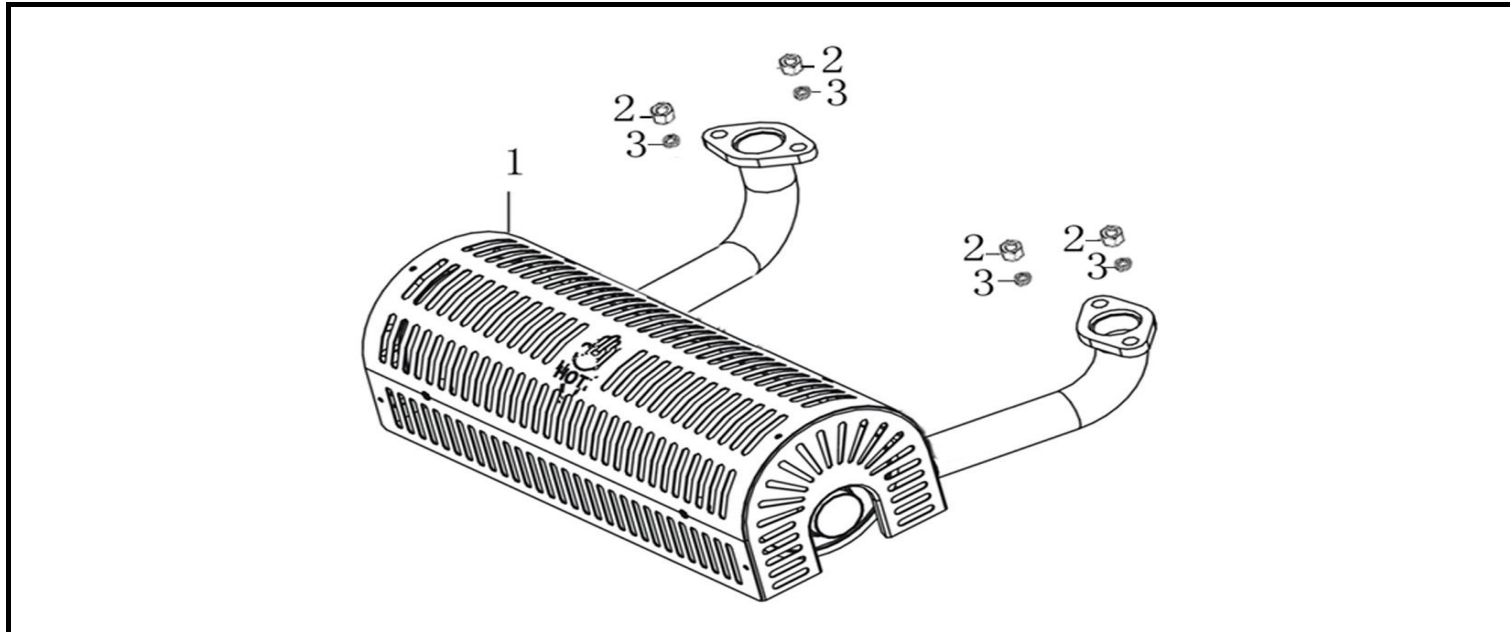
### CONTROL

No.	Part No.	Description	Reqd. QTY
1	171610040-0001	throttle return spring	1
2	171590040-0001	Throttle rod	1
3	380140013-0005	Hexagon bolt with flange	2
4	171650059-0001	Choke valve pull rod	1
5	381140626-0001	Tension spring	1
6	171680211-0001	Throttle handle combination	1
7	173090003-0001	Locker of choke valve pull rod	1
8	171620065-0001	Speed regulating bracket	1
9	171600159-0001	Governing spring	1
10	171610048-0001	throttle return spring	1
11	175400001-0001		1



**AIR CLEANER**

No.	Part No.	Description	Reqd. QTY
1	180280170-0001	Air filter seat	1
2	381000305-0002	Caulking	1
3	380370066-0001	Hexagon nut with flange	4
4	180100123-0001	Air filter element combination	1



**Muffler**

No.	Part No.	Description	Reqd. QTY
1	180572455-0001	Muffler	1
2	380340005-0005	Hexagon nut	4
3	380460001-0006	Elastic washer	4