

AEG

POWERTOOLS

SB2E 850 R, SB2E 1100 RV

Original instructions

Originalbetriebsanleitung

Notice originale

Istruzioni originali

Manual original

Manual original

Oorspronkelijke gebruiksaanwijzing

Original brugsanvisning

Original bruksanvisning

Bruksanvisning i original

Alkuperäiset ohjeet

Πρωτότυπο οδηγιών χρήσης

Orijinal işletme talimatı

Původním návodem k používání

Pôvodný návod na použitie

Instrukcja oryginalna

Eredeti használati utasítás

Izvirna navodila

Originalne pogonske upute

Instrukcijâm oriëinâlvalodâ

Originali instrukcija

Algupärane kasutusjuhend

Оригинальное руководство по

эксплуатации

Оригинално ръководство за

експлоатация

Instrucțiuni de folosire originale

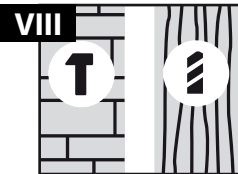
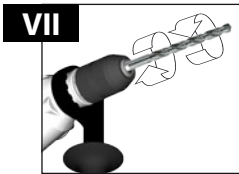
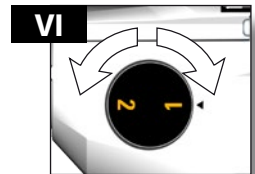
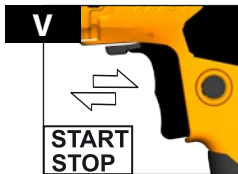
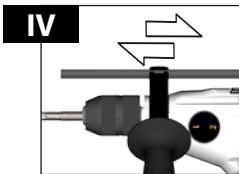
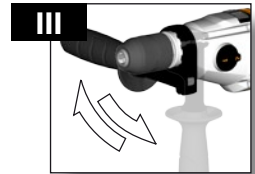
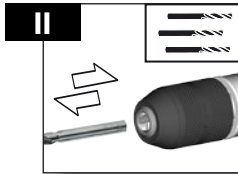
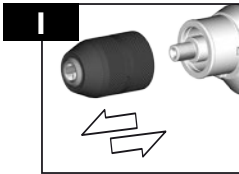
Оригинален прирачник за работа

Оригінал інструкції з експлуатації

التعليمات الأصلية

Technical Data, Safety Instructions, Specified Conditions of Use, EC-Declaration of Conformity, Mains connection, Maintenance, Symbols	Please read and save these instructions!	English	13
Technische Daten, Sicherheitshinweise, Bestimmungsgemäße Verwendung, CE-Konformitätserklärung, Netzanschluss, Wartung, Symbole	Bitte lesen und aufbewahren!	Deutsch	16
Caractéristiques techniques, Instructions de sécurité, Utilisation conforme aux prescriptions, Déclaration CE de Conformité, Branchement secteur, Entretien, Symboles	A lire et à conserver soigneusement	Français	19
Dati tecnici, Norme di sicurezza, Utilizzo conforme, Dichiarazione di Conformità CE, Collegamento alla rete, Manutenzione, Simboli	Si prega di leggere e conservare le istruzioni!	Italiano	22
Datos técnicos, Instrucciones de seguridad, Aplicación de acuerdo a la finalidad, Declaración de Conformidad CE, Conexión eléctrica, Mantenimiento, Símbolos	Lea y conserve estas instrucciones por favor!	Español	25
Características técnicas, Instruções de segurança, Utilização autorizada, Declaração de Conformidade CE, Ligação à rede, Manutenção, Símbolo	Por favor leia e conserve em seu poder!	Português	28
Technische gegevens, Veiligheidsadviezen, Voorgeschreven gebruik van het systeem, EC-Konformiteitsverklaring, Net aansluiting, Onderhoud, Symbolen	Lees en let goed op deze adviezen!	Nederlands	31
Tekniske data, Sikkerhedshenvisninger, Tiltænkning formål, CE-Konformitetserklæring, Netttilslutning, Vedligeholdelse, Symboler	Vær venlig at læse og opbevare!	Dansk	34
Tekniske data, Spesielle sikkerhetshenvisninger, Formålsmessig bruk, CE-Samsvarserklæring, Nettettkopling, Vedlikehold, Symboler	Vennligst les og oppbevar!	Norsk	37
Tekniska data, Säkerhetsutrustning, Använd maskinen Enligt anvisningarna, CEFörsäkrad, Nätanslutning, Skötsel, Symboler	Läs igenom och spara!	Svenska	40
Tekniset arvot, Turvallisuusohjeet, Tarkoituksenmukainen käyttö, Todistus CE-standardin mukaisuudesta, Verkkoliitäntä, Huolto, Symbolit	Lue ja säilytä!	Suomi	43
Τεχνικά στοιχεία, Ειδικές υποδείξεις ασφαλείας, Χρήση σύμφωνα με το σκοπό προορισμού, Δήλωση πιστότητας ΕΚ, Μπαταρίες, Χαρακτηριστικά, Συντήρηση, Σύμβολα.	Παρακαλώ διαβάστε τις και φυλάξτε τις!	Ελληνικά	46
Teknik veriler, Güvenliğin için talimatlar, Kullanım, CE uygunluk beyanice, Şebeke bağlantısı, Bakım, Semboller	Lütfen okuyun ve saklayın	Türkçe	49
Technická data, Speciální bezpečnostní upozornění, Oblast využití, Ce-prohlášení o shodě, Připojení na síť, Údržba, Symboly	Po přečtení uschovejte	Česky	52
Technické údaje, Špeciálne bezpečnostné pokyny, Použitie podľa a predpisov, CE-Vyhlasenie konformity, Sieťová prípojka, Údržba, Symboly	Prosím prečítať a uschovať!	Slovensky	55
Dane techniczne, Specjalne zalecenia dotyczące bezpiecze'nstwa, Uzytkowanie zgodne z przeznaczeniem, Swiadectwo zgodności ce, Podłączenie do sieci, Gwarancja, Symbole	Należy uważnie przeczytać i zachować do wglądu!	Polski	58
Műszaki adatok, Különleges biztonsági tudnivalók, Rendeltetésszerű használat, CE-azonosítási nyilatkozat, Hálózati csatlakoztatás, Karbantartás, Szimbólumok	Olvassa el és őrizze meg	Magyar	61
Tehnični podatki, Specialni varnostni napotki, Uporaba v skladu z namembnostjo, CE-izjava o konformnosti, Omrežni priključek, Vzdrževanje, Simboli	Prosim preberite in shranite!	Slovensko	64
Tehnički podaci, Specijalne sigurnosne upute, Propisna upotreba, CE-Izjava konformnosti, Priključak na mrežu, Održavanje, Simboli	Molimo pročitati i sačuvati	Hrvatski	67
Tehniske dati, Speciālie drošības noteikumi, Noteikumiem atbilstošs izmantojums, Atbilstība CE normām, Tikla pieslēgums, Apkope, Simboli	Pielikums lietošanas pamācībai	Latviski	70
Techniniai duomenys, Ypatingos saugumo nuorodos, Naudojimas pagal paskirti, CE Atitikties pareiškimas, Elektros tinklo jungtis, Techninis aptarnavimas, Simboliai	Prašome perskaityti ir neišmesti!	Lietuviškai	73
Tehnilised andmed, Spetsiaalsed turvajuhised, Kasutamine vastavalt otstarbele, EÜ Vastavusavaldus, Võrku ühendamine, Hooldus, Sümbolid	Palun lugege läbi ja hoidke alal!	Eesti	76
Технические данные, Рекомендации по технике безопасности, Использо- вание, Подключение к электросети, Обслуживание, Символы	Пожалуйста прочтите и сохраните эту инструкцию.	Русский	79
Технически данни, Специални указания за безопасност, Използване по предназначение, CE-Декларация за съответствие, Свързване към мрежата, Поддръжка, Символи	Моля прочетете и запазете!	Български	82
Date tehnice, Instrucțiuni de securitate, Condiții de utilizare specificate, Declarație de conformitate, Accumulatori, Întreținere, Simboluri	Va rugăm citiți și păstrați aceste instrucțiuni	Română	85
Технички Податоци, Упатство За Употреба, Специфицирани Услови На Употреба, Еу-декларација За Сообразност, БАТЕРИИ, Одржување, Символи	Ве молиме прочитајте го и чувајте го ова упатство!	Македонски	88
Технічні характеристики, Вказівки З Техніки Безпеки, Використання за призначенням, Сертифікат Відповідності Вимогам Єс, Підключення до мережі, Обслуговування, Символи цю інструкцію.	Прочитайте та збережіть інструкцію.	Українська	91
إعلان المطابقة تعليمات السلامة شروط الاستخدام المحددة توصيل الموصلات الرئيسية. إعلان المطابقة - الاتحاد الأوروبي. الصيانة الرموز	يرجى قراءة وحفظ هذه التعليمات!	العربية	96

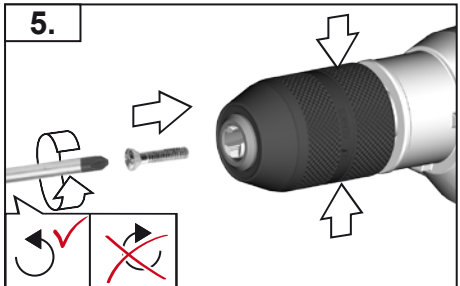
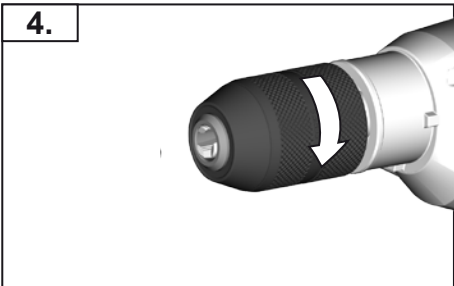
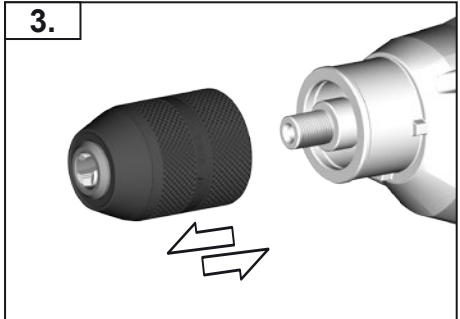
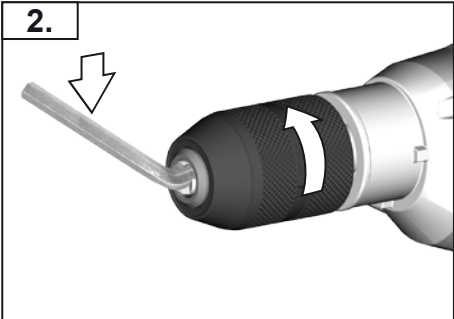
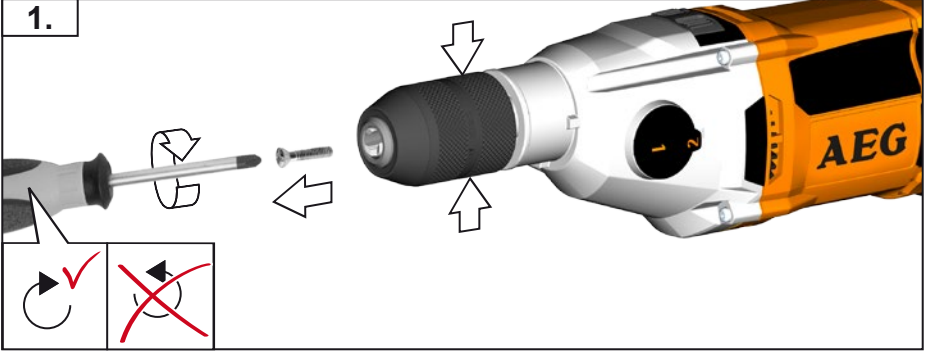
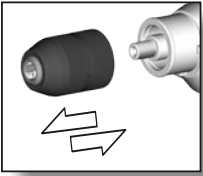


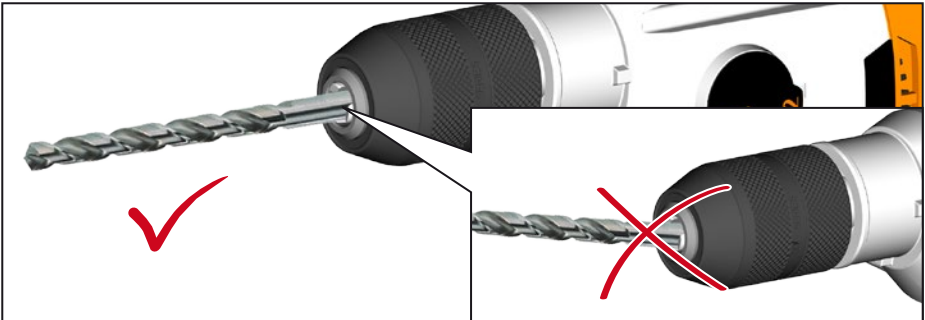
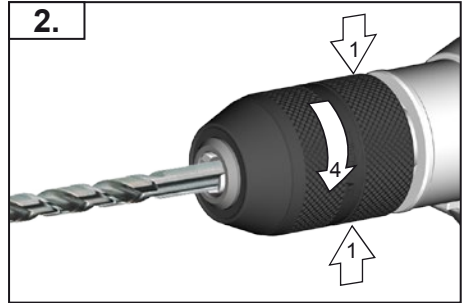
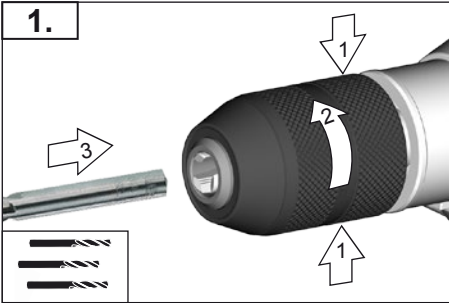
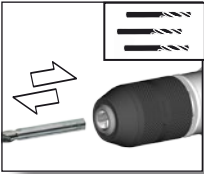


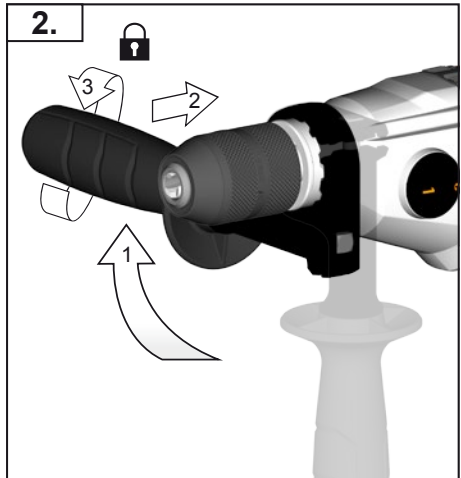
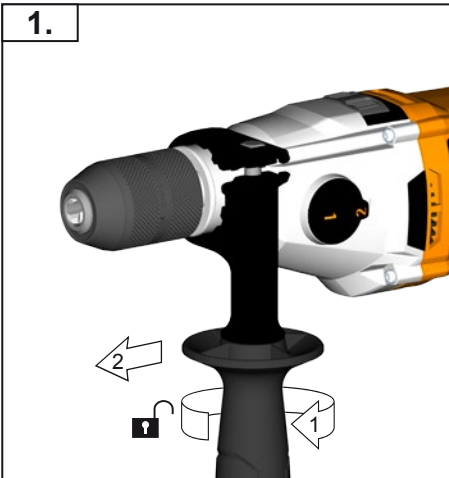
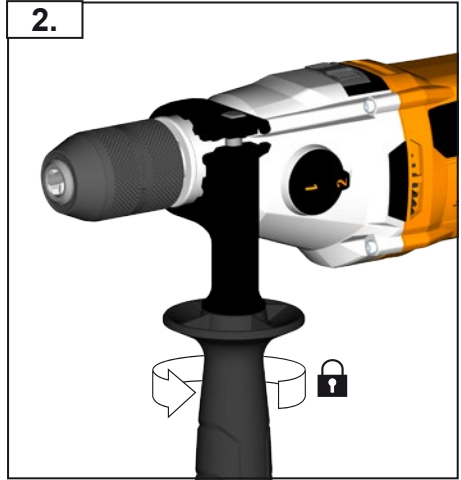
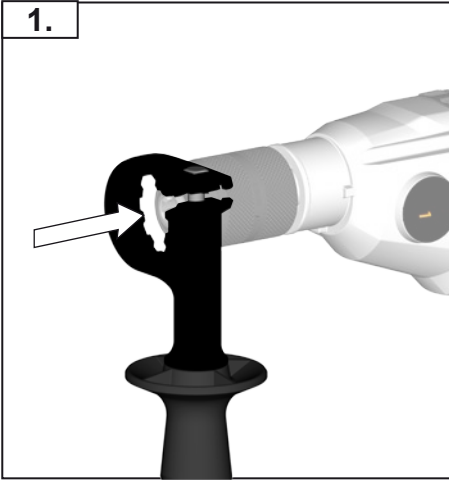
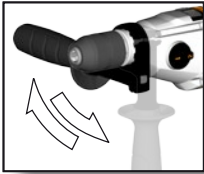
Accessory
Zubehör
Accessoires
Accessorio

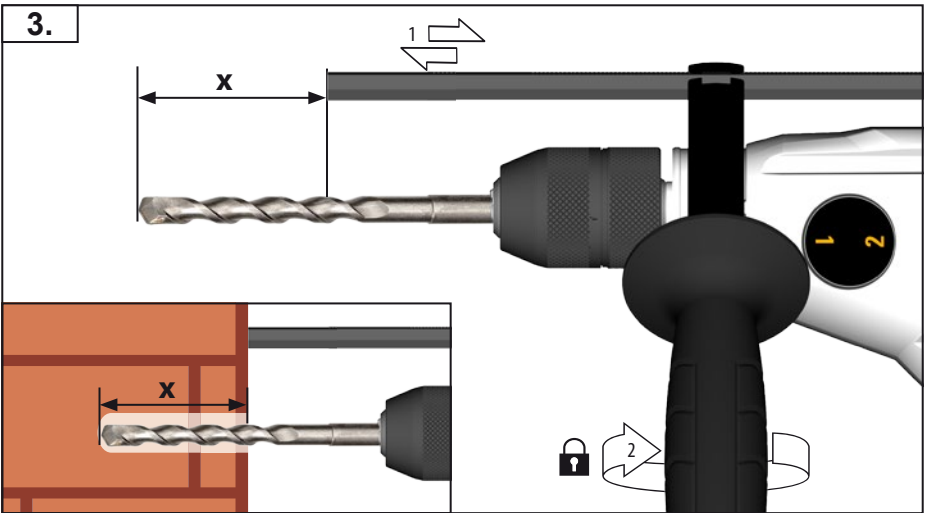
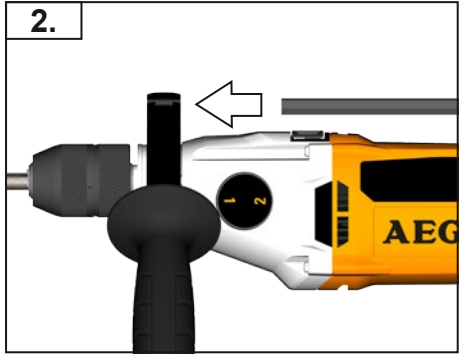
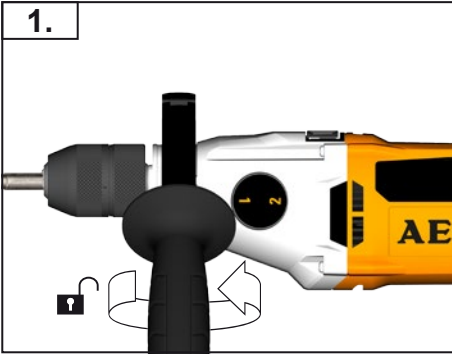
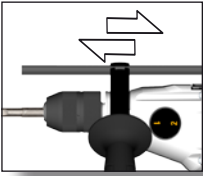
Accessorio • Acessório
Toebehoren • Tilbehør
Tilbehør • Tillbehör
Lisälaite • Εξαρτήματα
Akseuar • Pihsluēstvn
Prisluēstvn • Wyposaēzenie
Azokāt a tartozékoka
Oprema • Piederumi
Priedas • Tarvikud
Дополнитель • Аксессуары
Accesorii • ополнительна
oprema • Комплектуючі
الملحق







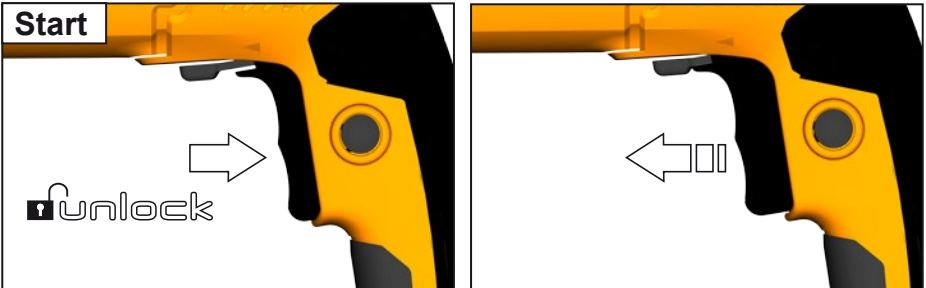
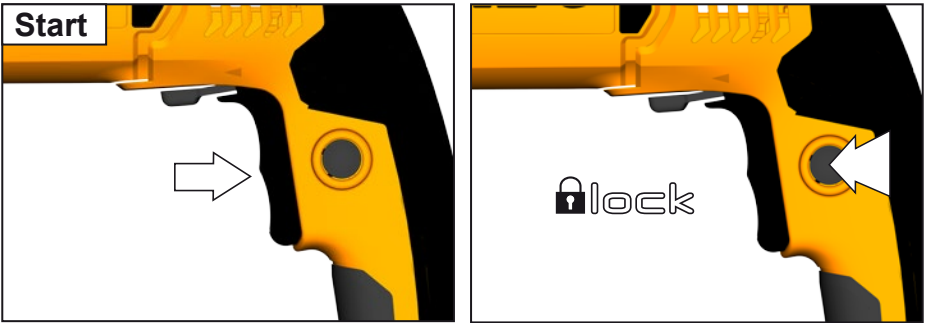
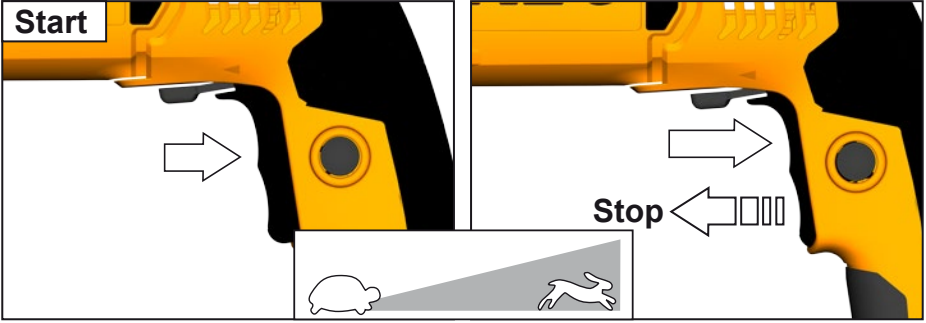






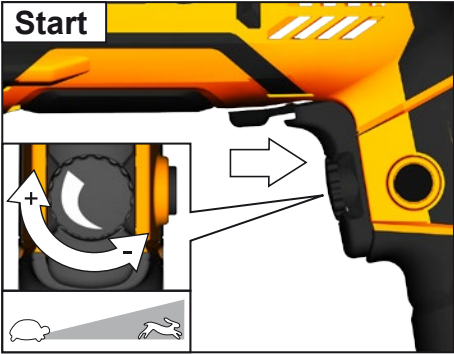
SB2E 1100 RV

START
STOP
▼



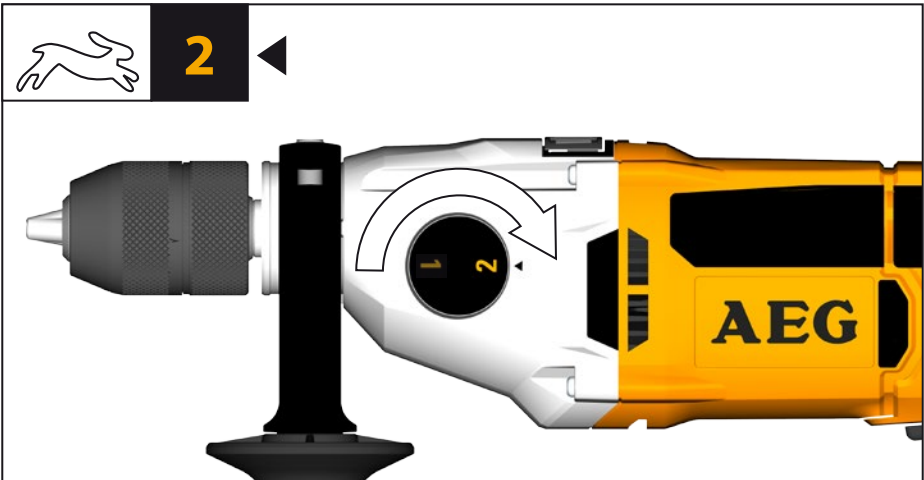
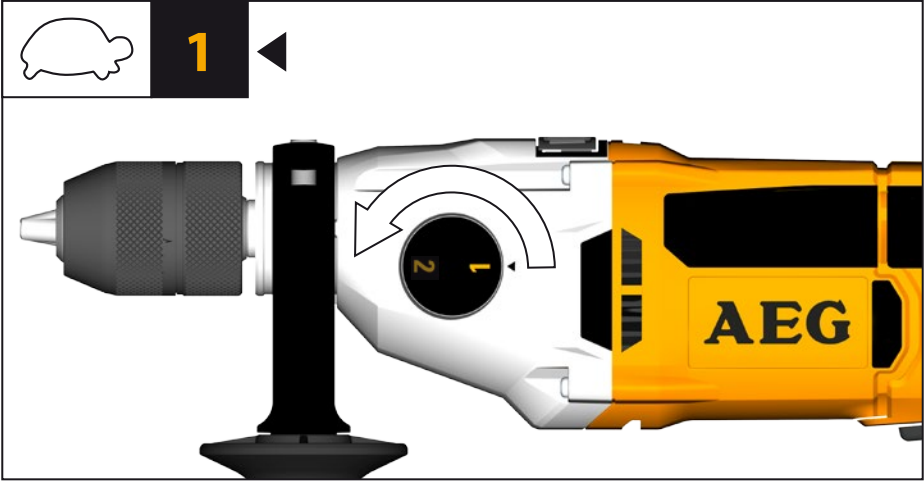


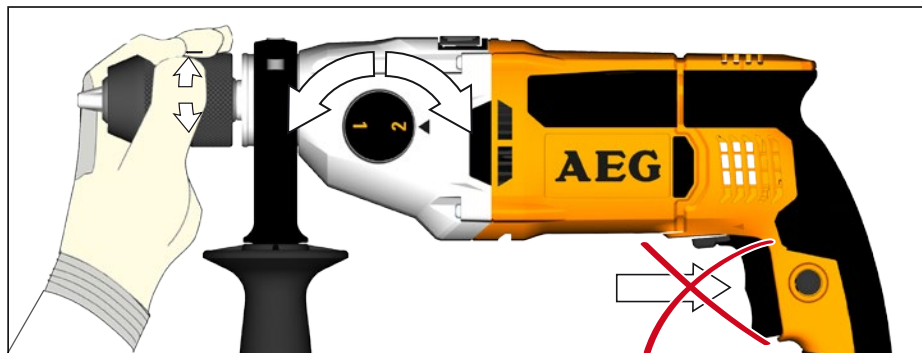
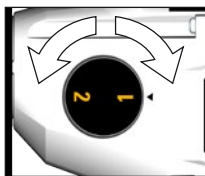
SB2E 850 R



START
STOP
▼







Never use the gear switch whilst the machine is operating. Only use the switch when the machine is at a standstill.

Den Gangschalter niemals bei eingeschalteter Maschine, sondern nur im Stillstand betätigen.

Ne jamais actionner le commutateur sélectif pendant que la machine est enclenchée, mais seulement si elle est à l'arrêt.

Non azionare l'interruttore per il cambio di velocità mai con macchina accesa, ma solo da ferma.

No utilizar jamás el cambio de velocidades estando la máquina conectada, accionar únicamente al estar interrumpido el funcionamiento.

Nunca accionar o interruptor de velocidades con a máquina ligada, mas sempre com ela parada.

Bedien de versnellingschakelaar alléén wanneer de machine stilstaat en nooit wanneer de machine ingeschakeld is.

Gearskiye má ikke aktiveres, når maskinen er tændt - maskinen skal være slukket.

Girstangen skal aldri betjenes, når maskinen er påslått. Den skal bare betjenes, når maskinen er i stillstand.

Växelomkopplaren får inte manövreras när verktyget är påslaget, utan endast i avstängt läge.

Älä koskaan siirrä vaihdekytkintä toiseen asentoon koneen käydessä, vaan ainoastaan sen seistessä.

Δεν χειρίζεστε ποτέ το διακόπτη ταχύτητας με ενεργοποιημένη τη μηχανή, αλλά μόνο όταν αυτή είναι ακινητοποιημένη.

Hiz şalterine kesinlikle alet çalışırken basmayın, şaltere sadece alet durduğunda basın.

Přepínač rychlostí nepoužívejte nikdy při zapnutém stroji, nýbrž pouze v klidovém stavu.

Nikdy neprepínat rýchlosť, keď je skrutkovač v behu. Rýchlosť nastaviť, len keď je skrutkovač vypnutý.

Nigdy nie naciskať prełącznika zmiany biegów przy włączonej maszynie, lecz tylko w stanie zatrzymanym maszyny.

Ha a gép be van kapcsolva, soha ne használjuk a sebességkapcsolót, az csak leállás után használható.

Stikala za brzine nikoli ne aktivirajte pri vključenem stroju, ampak samo v mirovanju.

Predbirac brzine nemojte nikada uporabiti uz uključen stroj, nego samo u stanju mirovanja stroja.

Ätruma regulatoru nedriks pārslēgt, kamēr instruments darbojas, bet gan tikai tad, kad tas ir apstādināts.

Greičio perjungimo jungiklio niekada nejunkite, kai mašina veikia. Jį junkite tik tada, kai mašina nesisuka.

Käigulülitit ei tohi kunagi lülitada, kui masin on sisse lülitatud, vaid alati ainult siis, kui masin on seiskunud.

Ни в коем случае не пользоваться переключателем скорости при включенном инструменте!

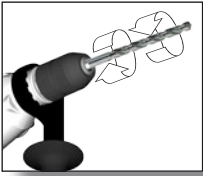
Никога не задействайте превключателя на скоростите при включена машина, а само когато машината е спряла.

Nu acționați niciodată întrerupătorul motorului în timp ce mașina este în funcțiune. Folosiți întrerupătorul numai când mașina este oprită.

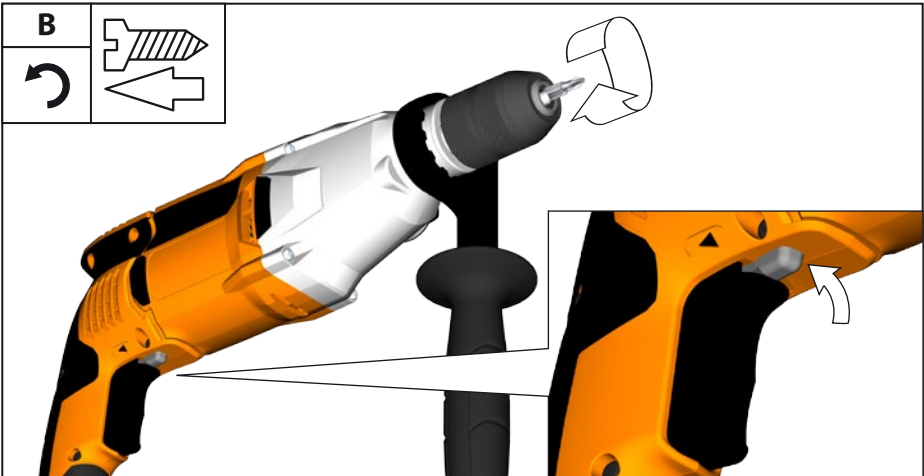
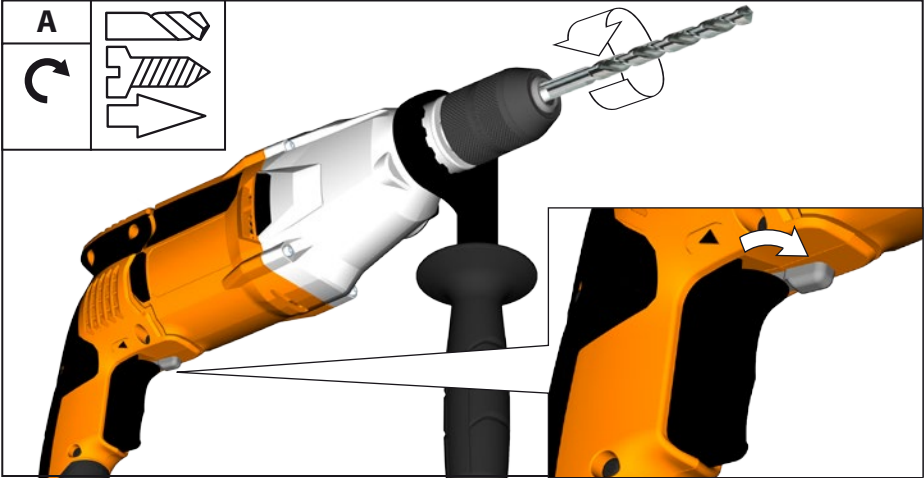
Никогаш не поместувајте го менувачот за брзина при вклучена машина, туку само во состојба на мирување.

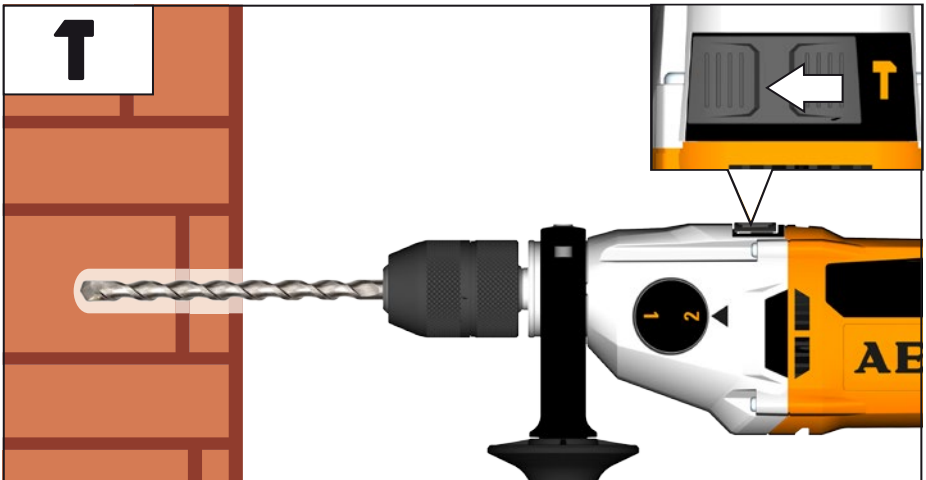
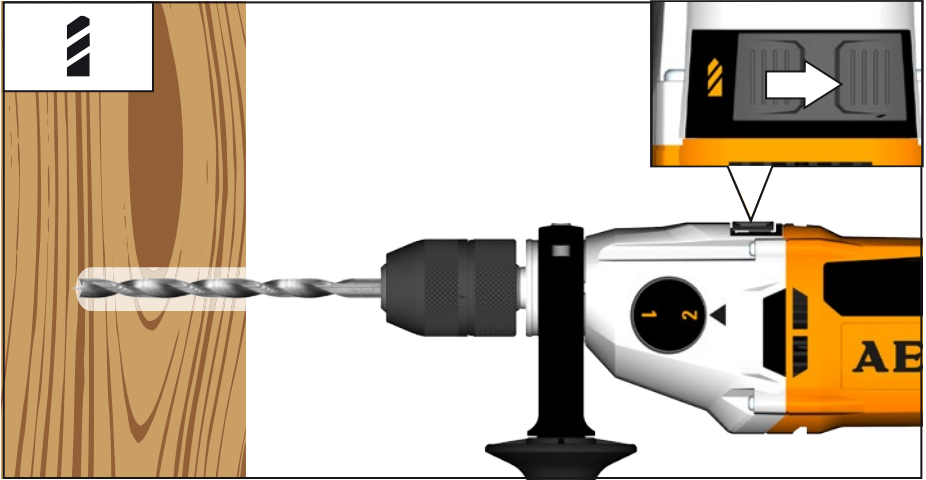
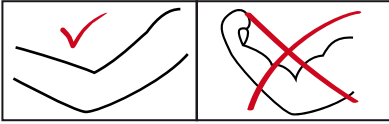
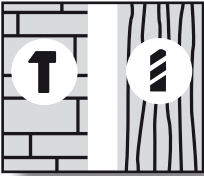
Ніколи не перемикаєти перемикач передачі на увімкненій машині; перемикаєти тільки тоді, коли машина зупинена.

لا تستخدم مفتاح السرعة أثناء تشغيل الآلة. استخدم المفتاح فقط عندما تكون الآلة متوقفة عن العمل تماماً




VII

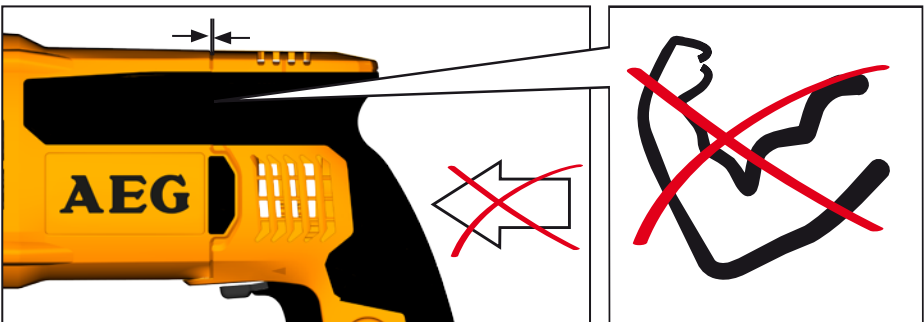
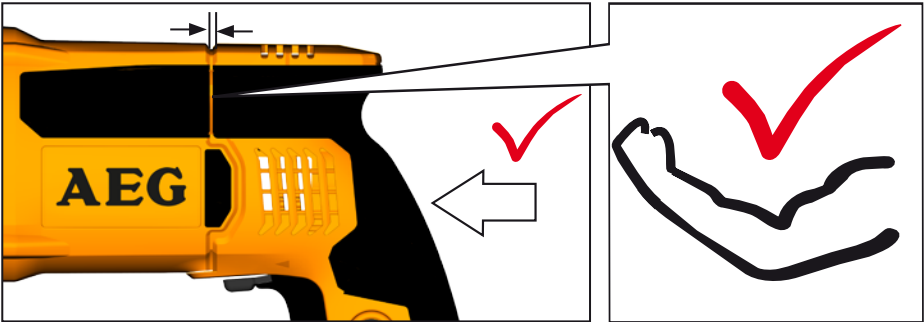
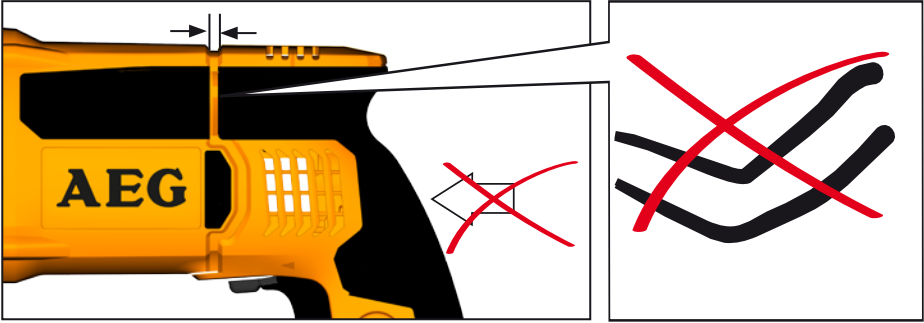






SB2E 1100 RV

AVS
IX



TECHNICAL DATA Percussion Drill	SB2E 850 R	SB2E 1100 RV
Production code	4473 61 02... ... 000001-999999	4473 76 02... ... 000001-999999
Rated input	850 W	1100 W
Output	460 W	600 W
No-load speed 1st gear	0-1000 min ⁻¹	0-1000 min ⁻¹
No-load speed 2nd gear	0-3000 min ⁻¹	0-3000 min ⁻¹
Speed under load 1st gear	0-680 min ⁻¹	0-680 min ⁻¹
Speed under load 2nd gear	0-2000 min ⁻¹	0-2000 min ⁻¹
Rate of percussion under load max.	38000 min ⁻¹	38000 min ⁻¹
Impact rate max.	57000 min ⁻¹	57000 min ⁻¹
Static jamming moment	56/30 Nm	60/33 Nm
Drilling capacity in concrete	20 mm	22 mm
Drilling capacity in brick and tile	22 mm	24 mm
Drilling capacity in steel	13 mm	16 mm
Drilling capacity in wood	40 mm	40 mm
Drill chuck range	1,5-13 mm	1,5-13 mm
Drive shank	1/2" - 20 UNF	1/2" - 20 UNF
Chuck neck diameter	43 mm	43 mm
Weight according EPTA-Procedure 01/2003	2,7 kg	2,9 kg
Noise information		
Measured values determined according to EN 60745. Typically, the A-weighted noise levels of the tool are:		
Sound pressure level (Uncertainty K=3dB(A))	100,0 dB (A)	94,0 dB (A)
Sound power level (Uncertainty K=3dB(A))	111 dB (A)	105 dB (A)
Wear ear protectors!		
Vibration information		
Vibration total values (triaxial vector sum) determined according to EN 60745		
Drilling into metal: Vibration emission value a _{h,D}	2,7 m/s ²	3,5 m/s ²
Uncertainty K=	1,5 m/s ²	1,5 m/s ²
Impact drilling into concrete: Vibration emission value a _{h,ID}	13,4 m/s ²	12,2 m/s ²
Uncertainty K=	1,5 m/s ²	1,5 m/s ²
Screw driving without impact: Vibration emission value a _h	1,1 m/s ²	1,8 m/s ²
Uncertainty K=	1,5 m/s ²	1,5 m/s ²

WARNING!

The vibration emission level given in this information sheet has been measured in accordance with a standardised test given in EN 60745 and may be used to compare one tool with another. It may be used for a preliminary assessment of exposure.

The declared vibration emission level represents the main applications of the tool. However if the tool is used for different applications, with different accessories or poorly maintained, the vibration emission may differ. This may significantly increase the exposure level over the total working period.

An estimation of the level of exposure to vibration should also take into account the times when the tool is switched off or when it is running but not actually doing the job. This may significantly reduce the exposure level over the total working period.

Identify additional safety measures to protect the operator from the effects of vibration such as: maintain the tool and the accessories, keep the hands warm, organisation of work patterns.



⚠ WARNING! Read all safety warnings and all instructions. Failure to follow the warnings and instructions may result in electric shock, fire and/or serious injury.
Save all warnings and instructions for future reference.

⚠ DRILL SAFETY WARNINGS

Wear ear protectors when impact drilling. Exposure to noise can cause hearing loss.

Use auxiliary handle(s), if supplied with the tool. Loss of control can cause personal injury.

Hold power tool by insulated gripping surfaces, when performing an operation where the cutting accessory may contact hidden wiring or its own cord. Cutting accessory contacting a "live" wire may make exposed metal parts of the power tool "live" and could give the operator an electric shock.

⚠ SCREWDRIVER SAFETY WARNINGS

Hold power tool by insulated gripping surfaces, when performing an operation where the fastener may contact hidden wiring or its own cord. Fasteners contacting a "live" wire may make exposed metal parts of the power tool "live" and could give the operator an electric shock.

Additional Safety and Working Instructions

Use protective equipment. Always wear safety glasses when working with the machine. The use of protective clothing is recommended, such as dust mask, protective gloves, sturdy non-slip footwear, helmet and ear defenders.

Keep mains lead clear from working range of the machine. Always lead the cable away behind you.

Do not machine any materials that present a danger to health (e.g. asbestos).

When working in walls ceiling, or floor, take care to avoid electric cables and gas or waterpipes.

Clamp your workpiece with a clamping device. Unclamped workpieces can cause severe injury and damage.

Switch the device off immediately if the insertion tool stalls! Do not switch the device on again while the insertion tool is stalled, as doing so could trigger a sudden recoil with a high reactive force. Determine why the insertion tool stalled and rectify this, paying heed to the safety instructions.

Possible causes can be:

- it is tilted in the workpiece to be machined
- breakage of the material to be used
- the power tool is overloaded

Do not reach into the machine while it is running.

The insertion tool may become hot during use.

WARNING! Danger of burns

- when changing tools
- when setting the device down

Chips and splinters must not be removed while the machine is running.

Always disconnect the plug from the socket before carrying out any work on the machine.

SPECIFIED CONDITIONS OF USE

The electronic percussion drill/screwdriver can be universally used for drilling, percussion drilling, screwdriving and cutting screw threads.

EC-DECLARATION OF CONFORMITY

We declare under our sole responsibility that the product described under "Technical Data" fulfills all the relevant provisions of the directives:

2011/65/EU (RoHS)

2014/30/EU

2006/42/EC

and the following harmonized standards have been used.

EN 60745-1:2009 + A11:2010

EN 60745-2-1:2010

EN 60745-2-2:2010

EN 55014-1:2006 + A1:2009 + A2:2011

EN 55014-2:1997 + A1:2001 + A2:2008

EN 61000-3-2:2014

EN 61000-3-3:2013

EN 50581:2012



Winnenden, 2016-03-25

Alexander Krug / Managing Director

Authorized to compile the technical file

Techtronic Industries GmbH

Max-Eyth-Straße 10, 71364 Winnenden, Germany

MAINS CONNECTION

Appliances used at many different locations including wet room and open air must be connected via a residual current device (FI, RCD, PRCD) of 30mA or less.

Connect only to single-phase AC system voltage as indicated on the rating plate. It is also possible to connect to sockets without an earthing contact as the design conforms to safety class II.

Only plug-in when machine is switched off.

MAINTENANCE

The ventilation slots of the machine must be kept clear at all times.

If the machine is mainly used for percussion drilling, regularly remove collected dust from the chuck. To remove the dust hold the machine with the chuck facing down vertically, and completely open and close the chuck. The collected dust will fall from the chuck. It is recommended to regularly use cleaner for the clamping jaws and the clamping jaw borings.

If the supply cord of this appliance is damaged, it must only be replaced by a repair shop appointed by the manufacturer, to avoid hazardous situations.

Use only AEG accessories and spare parts. Should components need to be replaced which have not been described, please contact one of our AEG service agents (see our list of guarantee/service addresses).

If needed, an exploded view of the tool can be ordered. Please state the Article No. as well as the machine type printed on the label and order the drawing at your local service agents or directly at: Techtronic Industries GmbH, Max-Eyth-Straße 10, 71364 Winnenden, Germany.

SYMBOLS



CAUTION! WARNING! DANGER!



Always disconnect the plug from the socket before carrying out any work on the machine.



Please read the instructions carefully before starting the machine.



Accessory - Not included in standard equipment, available as an accessory.



Do not dispose of electric tools together with household waste material. Electric tools and electronic equipment that have reached the end of their life must be collected separately and returned to an environmentally compatible recycling facility. Check with your local authority or retailer for recycling advice and collection point.



Class II tool. Tool in which protection against electric shock does not rely on basic insulation only, but in which additional safety precautions, such as double insulation or reinforced insulation, are provided.



European Conformity Mark



UkrSEPRO Conformity Mark



EurAsian Conformity Mark



TECHNISCHE DATEN Schlagbohrmaschine	SB2E 850 R	SB2E 1100 RV
Produktionsnummer	4473 61 02... ... 000001-999999	4473 76 02... ... 000001-999999
Nennaufnahmeleistung	850 W	1100 W
Abgabeleistung	460 W	600 W
Leerlaufdrehzahl 1. Gang	0-1000 min ⁻¹	0-1000 min ⁻¹
Leerlaufdrehzahl 2. Gang	0-3000 min ⁻¹	0-3000 min ⁻¹
Lastdrehzahl 1. Gang	0-680 min ⁻¹	0-680 min ⁻¹
Lastdrehzahl 2. Gang	0-2000 min ⁻¹	0-2000 min ⁻¹
Lastschlagzahl max.	38000 min ⁻¹	38000 min ⁻¹
Schlagzahl max.	57000 min ⁻¹	57000 min ⁻¹
Statisches Blockiermoment	56/30 Nm	60/33 Nm
Bohr-Durchmesser in Beton	20 mm	22 mm
Bohr-Durchmesser in Ziegel und Kalksandstein	22 mm	24 mm
Bohr-Durchmesser in Stahl	13 mm	16 mm
Bohr-Durchmesser in Holz	40 mm	40 mm
Bohrfutterspannbereich	1,5-13 mm	1,5-13 mm
Bohrspindel	1/2" - 20 UNF	1/2" - 20 UNF
Spannhals-Durchmesser	43 mm	43 mm
Gewicht nach EPTA-Prozedur 01/2003	2,7 kg	2,9 kg
Geräuschinformation		
Messwerte ermittelt entsprechend EN 60745. Der A-bewertete Geräuschpegel des Gerätes beträgt typischerweise:		
Schalldruckpegel (Unsicherheit K=3dB(A))	100,0 dB (A)	94,0 dB (A)
Schalleistungspegel (Unsicherheit K=3dB(A))	111 dB (A)	105 dB (A)
Gehörschutz tragen!		
Vibrationsinformationen		
Schwingungsgesamtwerte (Vektorsumme dreier Richtungen) ermittelt entsprechend EN 60745.		
Bohren in Metall: Schwingungsemissionswert a _{h,d}	2,7 m/s ²	3,5 m/s ²
Unsicherheit K=	1,5 m/s ²	1,5 m/s ²
Schlagbohren in Beton: Schwingungsemissionswert a _{h,10}	13,4 m/s ²	12,2 m/s ²
Unsicherheit K=	1,5 m/s ²	1,5 m/s ²
Schrauben ohne Schlag: Schwingungsemissionswert a _h	1,1 m/s ²	1,8 m/s ²
Unsicherheit K=	1,5 m/s ²	1,5 m/s ²

WARNUNG!

Der in diesen Anweisungen angegebene Schwingungspegel ist entsprechend einem in EN 60745 genormten Messverfahren gemessen worden und kann für den Vergleich von Elektrowerkzeugen miteinander verwendet werden. Er eignet sich auch für eine vorläufige Einschätzung der Schwingungsbelastung.

Der angegebene Schwingungspegel repräsentiert die hauptsächlichsten Anwendungen des Elektrowerkzeugs. Wenn allerdings das Elektrowerkzeug für andere Anwendungen, mit abweichenden Einsatzwerkzeugen oder ungenügender Wartung eingesetzt wird, kann der Schwingungspegel abweichen. Dies kann die Schwingungsbelastung über den gesamten Arbeitszeitraum deutlich erhöhen.

Für eine genaue Abschätzung der Schwingungsbelastung sollten auch die Zeiten berücksichtigt werden, in denen das Gerät abgeschaltet ist oder zwar läuft, aber nicht tatsächlich im Einsatz ist. Dies kann die Schwingungsbelastung über den gesamten Arbeitszeitraum deutlich reduzieren.

Legen Sie zusätzliche Sicherheitsmaßnahmen zum Schutz des Bedieners vor der Wirkung von Schwingungen fest wie zum Beispiel: Wartung von Elektrowerkzeug und Einsatzwerkzeugen, Warmhalten der Hände, Organisation der Arbeitsabläufe.

⚠️ WARNUNG! Lesen Sie alle Sicherheitshinweise und Anweisungen. Versäumnisse bei der Einhaltung der Sicherheitshinweise und Anweisungen können elektrischen Schlag, Brand und/oder schwere Verletzungen verursachen.
Bewahren Sie alle Sicherheitshinweise und Anweisungen für die Zukunft auf.

⚠️ SICHERHEITSHINWEISE FÜR BOHRMASCHINEN

Tragen Sie Gehörschutz beim Schlagbohren. Die Einwirkung von Lärm kann Gehörverlust bewirken.

Benutzen Sie mit dem Gerät gelieferte Zusatzhandgriffe. Der Verlust der Kontrolle kann zu Verletzungen führen.

Halten Sie das Gerät an den isolierten Griffflächen, wenn Sie Arbeiten ausführen, bei denen das Einsatzwerkzeug verborgene Stromleitungen oder das eigene Netzkabel treffen kann. Der Kontakt mit einer spannungsführenden Leitung kann auch metallene Geräteteile unter Spannung setzen und zu einem elektrischen Schlag führen.

⚠️ SICHERHEITSHINWEISE FÜR SCHRAUBER

Halten Sie das Gerät an den isolierten Griffflächen, wenn Sie Arbeiten ausführen, bei denen die Schraube verborgene Stromleitungen oder das eigene Netzkabel treffen kann. Der Kontakt der Schraube mit einer spannungsführenden Leitung kann auch metallene Geräteteile unter Spannung setzen und zu einem elektrischen Schlag führen.

Weitere Sicherheits- und Arbeitshinweise

Schutzausrüstung verwenden. Beim Arbeiten mit der Maschine stets Schutzbrille tragen. Schutzkleidung wie Staubschutzmaske, Schutzhandschuhe, festes und rutschsicheres Schuhwerk, Helm und Gehörschutz werden empfohlen.

Anschlusskabel stets vom Wirkungsbereich der Maschine fernhalten. Kabel immer nach hinten von der Maschine wegführen.

Es dürfen keine Materialien bearbeitet werden, von denen eine Gesundheitsgefährdung ausgeht (z.B. Asbest).

Beim Arbeiten in Wand, Decke oder Fußboden auf elektrische Kabel, Gas- und Wasserleitungen achten.

Sichern Sie Ihr Werkstück mit einer Spannvorrichtung. Nicht gesicherte Werkstücke können schwere Verletzungen und Beschädigungen verursachen.

Beim Blockieren des Einsatzwerkzeuges bitte das Gerät sofort ausschalten! Schalten Sie das Gerät nicht wieder ein, solange das Einsatzwerkzeug blockiert ist; hierbei könnte ein Rückschlag mit hohem Reaktionsmoment entstehen. Ermitteln und beheben Sie die Ursache für die Blockierung des Einsatzwerkzeuges unter Berücksichtigung der Sicherheitshinweise.

Mögliche Ursachen dafür können sein:

- Verkanten im zu bearbeitenden Werkstück
- Durchbrechen des zu bearbeitenden Materials
- Überlasten des Elektrowerkzeuges

Greifen Sie nicht in die laufende Maschine.

Das Einsatzwerkzeug kann während der Anwendung heiß werden.
WARNUNG! Verbrennungsgefahr

- bei Werkzeugwechsel
- bei Ablegen des Gerätes

Späne oder Splitter dürfen bei laufender Maschine nicht entfernt werden.

Vor allen Arbeiten an der Maschine den Stecker aus der Steckdose ziehen.

BESTIMMUNGSGEMÄSSE VERWENDUNG

Der Elektronik-Schlagbohrer/Schrauber ist universell einsetzbar zum Bohren, Schlagbohren, Schrauben und Gewindeschneiden.

CE-KONFORMITÄTSERKLÄRUNG

Wir erklären in alleiniger Verantwortung, dass das unter „Technische Daten“ beschriebene Produkt mit allen relevanten Vorschriften der Richtlinien:

2011/65/EU (RoHS)

2014/30/EU

2006/42/EG

und den folgenden harmonisierten normativen Dokumenten übereinstimmt

EN 60745-1:2009 + A11:2010

EN 60745-2-1:2010

EN 60745-2-2:2010

EN 55014-1:2006 + A1:2009 + A2:2011

EN 55014-2:1997 + A1:2001 + A2:2008

EN 61000-3-2:2014

EN 61000-3-3:2013

EN 50581:2012



Winnenden, 2016-03-25

Alexander Krug / Managing Director

Bevollmächtigt die technischen Unterlagen zusammenzustellen.

Techtronic Industries GmbH

Max-Eyth-Straße 10, 71364 Winnenden, Germany

NETZANSCHLUSS

Steckdosen in Feuchträumen und Außenbereichen müssen mit Fehlerstrom-Schutzschaltern (FI, RCD, PRCD) ausgerüstet sein. Das verlangt die Installationsvorschrift für Ihre Elektroanlage. Bitte beachten Sie das bei der Verwendung unseres Gerätes.

Nur an Einphasen-Wechselstrom und nur an die auf dem Leistungsschild angegebene Netzspannung anschließen. Anschluss ist auch an Steckdosen ohne Schutzkontakt möglich, da ein Aufbau der Schutzklasse II vorliegt.

Maschine nur ausgeschaltet an die Steckdose anschließen.

WARTUNG

Stets die Lüftungsschlitze der Maschine sauber halten.

Bei häufigem Schlagbohrbetrieb sollte das Bohrfutter regelmäßig von Staub befreit werden. Hierzu die Maschine mit dem Bohrfutter senkrecht nach unten halten und das Bohrfutter über den gesamten Spannbereich öffnen und schließen. Der angesammelte Staub fällt so aus dem Bohrfutter. Die regelmäßige Verwendung von Reinigungsspray an den Spannbacken und Spannbackenbohrungen wird empfohlen.



D

Wenn die Netzanschlussleitung beschädigt ist, muss diese durch eine Kundendienststelle ausgewechselt werden, um Gefährdungen zu vermeiden.

Nur AEG Zubehör und Ersatzteile verwenden. Bauteile, deren Austausch nicht beschrieben wurde, bei einer AEG Kundendienststelle auswechseln lassen (Broschüre Garantie/Kundendienstadressen beachten).

Bei Bedarf kann eine Explosionszeichnung des Gerätes unter Angabe der Maschinen Type und der sechsstelligen Nummer auf dem Leistungsschild bei Ihrer Kundendienststelle oder direkt bei Techtronic Industries GmbH, Max-Eyth-Straße 10, 71364 Winnenden, Germany angefordert werden.

SYMBOLE



ACHTUNG! WARNUNG! GEFAHR!



Vor allen Arbeiten an der Maschine den Stecker aus der Steckdose ziehen.



Bitte lesen Sie die Gebrauchsanweisung vor Inbetriebnahme sorgfältig durch.



Zubehör - Im Lieferumfang nicht enthalten, empfohlene Ergänzung aus dem Zubehörprogramm.



Elektrogeräte dürfen nicht zusammen mit dem Hausmüll entsorgt werden. Elektrische und elektronische Geräte sind getrennt zu sammeln und zur umweltgerechten Entsorgung bei einem Verwertungsbetrieb abzugeben. Erkundigen Sie sich bei den örtlichen Behörden oder bei Ihrem Fachhändler nach Recyclinghöfen und Sammelstellen.



Elektrowerkzeug der Schutzklasse II. Elektrowerkzeug, bei dem der Schutz vor einem elektrischen Schlag nicht nur von der Basisisolierung abhängt, sondern auch davon, dass zusätzliche Schutzmaßnahmen, wie doppelte Isolierung oder verstärkte Isolierung, angewendet werden.



CE-Konformitätszeichen



UkrSEPRO Konformitätszeichen



EurAsian Konformitätszeichen

CARACTÉRISTIQUES TECHNIQUES Perceuse à Percussion	SB2E 850 R	SB2E 1100 RV
Numéro de série	4473 61 02... ... 000001-999999	4473 76 02... ... 000001-999999
Puissance nominale de réception	850 W	1100 W
Puissance utile	460 W	600 W
Vitesse de rotation à vide 1ère vitesse	0-1000 min ⁻¹	0-1000 min ⁻¹
Vitesse de rotation à vide 2ème vitesse	0-3000 min ⁻¹	0-3000 min ⁻¹
Vitesse de rotation en charge 1ère vitesse	0-680 min ⁻¹	0-680 min ⁻¹
Vitesse de rotation en charge 2ème vitesse	0-2000 min ⁻¹	0-2000 min ⁻¹
Perçage à percussion en charge max.	38000 min ⁻¹	38000 min ⁻¹
Perçage à percussion max.	57000 min ⁻¹	57000 min ⁻¹
Moment de blocage statique	56/30 Nm	60/33 Nm
∅ de perçage dans le béton	20 mm	22 mm
∅ de perçage dans brique et grès argilo-calcaire	22 mm	24 mm
∅ de perçage dans acier	13 mm	16 mm
∅ de perçage dans bois	40 mm	40 mm
Plage de serrage du mandrin	1,5-13 mm	1,5-13 mm
Broche de perçage	1/2" - 20 UNF	1/2" - 20 UNF
∅ du collier de serrage	43 mm	43 mm
Poids suivant EPTA-Procedure 01/2003	2,7 kg	2,9 kg
Informations sur le bruit		
Valeurs de mesure obtenues conformément à la EN 60745. Les mesures réelles (des niveaux acoustiques de l'appareil sont :		
Niveau de pression acoustique (Incertitude K=3dB(A))	100,0 dB (A)	94,0 dB (A)
Niveau d'intensité acoustique (Incertitude K=3dB(A))	111 dB (A)	105 dB (A)
Toujours porter une protection acoustique!		
Informations sur les vibrations		
Valeurs totales des vibrations (somme vectorielle de trois sens) établies conformément à EN 60745.		
Perçage dans le métal: Valeur d'émission vibratoire a _{h,D}	2,7 m/s ²	3,5 m/s ²
Incertitude K=	1,5 m/s ²	1,5 m/s ²
Perçage à percussion dans le béton: Valeur d'émission vibratoire a _{h,1D}	13,4 m/s ²	12,2 m/s ²
Incertitude K=	1,5 m/s ²	1,5 m/s ²
Vissage sans choc: Valeur d'émission vibratoire a _h	1,1 m/s ²	1,8 m/s ²
Incertitude K=	1,5 m/s ²	1,5 m/s ²



AVERTISSEMENT!

Le niveau vibratoire indiqué dans ces instructions a été mesuré selon un procédé de mesure normalisé dans la norme EN 60745 et peut être utilisé pour comparer des outils électriques entre eux. Il convient aussi à une estimation provisoire de la sollicitation par les vibrations. Le niveau vibratoire indiqué représente les applications principales de l'outil électrique. Toutefois, si l'outil électrique est utilisé pour d'autres applications, avec des outils rapportés qui diffèrent ou une maintenance insuffisante, il se peut que le niveau vibratoire diverge. Cela peut augmenter nettement la sollicitation par les vibrations sur tout l'intervalle de temps du travail. Pour une estimation précise de la sollicitation par les vibrations, on devrait également tenir compte des temps pendant lesquels l'appareil n'est pas en marche ou tourne sans être réellement en service. Cela peut réduire nettement la sollicitation par les vibrations sur tout l'intervalle de temps du travail. Définissez des mesures de sécurité supplémentaires pour protéger l'utilisateur contre l'influence des vibrations, comme par exemple : la maintenance de l'outil électrique et des outils rapportés, le maintien au chaud des mains, l'organisation des déroulements de travail.

⚠ AVERTISSEMENT! Lisez toutes les consignes de sécurité et les instructions. Le non-respect des avertissements et instructions indiqués ci après peut entraîner un choc électrique, un incendie et/ou de graves blessures sur les personnes.

Bien garder tous les avertissements et instructions.

⚠ INSTRUCTIONS DE SÉCURITÉ POUR PERCEUSES

Porter un casque de protection au cours du perçage à percussion. L'exposition au bruit pourrait provoquer une diminution de l'ouïe.

Utilisez les poignées supplémentaires livrées en même temps que l'appareil. La perte de contrôle peut mener à des blessures.

Tenir l'outil uniquement par les surfaces de préhension isolantes, pendant les opérations au cours desquelles l'accessoire coupant peut être en contact avec des conducteurs cachés ou avec son propre câble. Le contact de l'outil de coupe avec un câble qui conduit la tension peut mettre les pièces métalliques de l'appareil sous tension et mener à une décharge électrique.

⚠ INSTRUCTIONS DE SÉCURITÉ POUR VISSEUSES

Tenir l'appareil aux surfaces isolées faisant office de poignée pendant les travaux au cours desquels la vis peut toucher des lignes électriques dissimulées ou le propre câble. Le contact de la vis avec un câble qui conduit la tension peut mettre des parties d'appareil en métal sous tension et mener à une décharge électrique.

Avis complémentaires de sécurité et de travail

Utiliser l'équipement de protection. Toujours porter des lunettes de protection pendant le travail avec la machine. Il est recommandé de porter des articles de protection, tels que masque antipoussière, gants de protection, chaussures tenant bien aux pieds et antidérapantes, casque et protection acoustique.

Le câble d'alimentation doit toujours se trouver en dehors du champ d'action de la machine. Toujours maintenir le câble d'alimentation à l'arrière de la machine.

Il est interdit de travailler des matériaux dangereux pour la santé (par ex. amiante).

Lors du perçage dans les murs, les plafonds ou les planchers, toujours faire attention aux câbles électriques et aux conduites de gaz et d'eau.

Fixer fermement la pièce en exécution à l'aide d'un dispositif de serrage. Des pièces en exécution non fermement fixées peuvent provoquer des dommages et des lésions graves.

Désactiver immédiatement le dispositif en cas de blocage ! Ne pas réactiver le dispositif avec l'outil bloqué; il y a le risque de provoquer un contre-coup avec moment de réaction élevé. Établir et éliminer la cause du blocage de l'outil en prêtant attention aux consignes de sécurité.

Les causes possibles sont :

- Encastrement dans la pièce à travailler.
- Le dispositif a traversé le matériau à travailler en le cassant.
- Le dispositif électrique a été surchargé.

Ne pas approcher les mains de la partie en mouvement de la machine.

Durant l'utilisation, l'outil peut se surchauffer.

AVERTISSEMENT! Danger de brûlures

- durant le remplacement de l'outil
- durant la dépose de l'outil

Ne jamais enlever les copeaux ni les éclats lorsque la machine est en marche.

Avant tous travaux sur la machine extraire la fiche de la prise de courant.

UTILISATION CONFORME AUX PRESCRIPTIONS

La visseuse/perceuse à percussion électronique est conçue pour un travail universel de perçage normal, de perçage à percussion, de vissage et de filetage.

DÉCLARATION CE DE CONFORMITÉ

Nous déclarons, sous notre responsabilité exclusive, que le produit décrit ici dans les « Caractéristiques techniques » satisfait à toutes les dispositions pertinentes des directives:

2011/65/EU (RoHS)

2014/30/EU

2006/42/CE

et que les normes harmonisées suivantes ont été appliquées.

EN 60745-1:2009 + A11:2010

EN 60745-2-1:2010

EN 60745-2-2:2010

EN 55014-1:2006 + A1:2009 + A2:2011

EN 55014-2:1997 + A1:2001 + A2:2008

EN 61000-3-2:2014

EN 61000-3-3:2013

EN 50581:2012



Winnenden, 2016-03-25

Alexander Krug / Managing Director

Autorisé à compiler la documentation technique.

Techtronic Industries GmbH

Max-Eyth-Straße 10, 71364 Winnenden, Germany

BRANCHEMENT SECTEUR

Les prises de courant se trouvant à l'extérieur doivent être équipées de disjoncteurs différentiel (FI, RCD, PRCD) conformément aux prescriptions de mise en place de votre installation électrique. Veuillez en tenir compte lors de l'utilisation de notre appareil.

Raccorder uniquement à un courant électrique monophasé et uniquement à la tension secteur indiquée sur la plaque signalétique. Le raccordement à des prises de courant sans contact de protection est également possible car la classe de protection II est donnée.

Ne raccorder la machine au réseau que si l'interrupteur est en position arrêté.

ENTRETIEN

Tenir toujours propres les orifices de ventilation de la machine.

Au cas où la machine serait souvent utilisée en mode de percussion, il est recommandé d'enlever les poussières se trouvant dans le mandrin de serrage à intervalles réguliers. Tenir la machine dans la position verticale, le mandrin de serrage vers le bas, et desserrer et resserrer le plus possible le mandrin de serrage. Toute la poussière accumulée tombe ainsi du mandrin de serrage. Il est recommandé d'utiliser régulièrement le spray de nettoyage (N° Id. 4932 6217 19) sur les mâchoires et les alésages des mâchoires de serrage.

Si le remplacement du câble d'alimentation est nécessaire, cela doit être réalisé par le fabricant ou son agent pour éviter un danger.

N'utiliser que des pièces et accessoires AEG. Pour des pièces dont l'échange n'est pas décrit, s'adresser de préférence aux stations de service après-vente AEG (voir brochure Garantie/Adresses des stations de service après-vente).

Si besoin est, une vue éclatée de l'appareil peut être fournie. S'adresser, en indiquant bien le numéro porté sur la plaque signalétique, à votre station de service après-vente (voir liste jointe) ou directement à Techtronic Industries GmbH, Max-Eyth-Straße 10, 71364 Winnenden, Germany.



SYMBOLES



ATTENTION! AVERTISSEMENT! DANGER!



Avant tous travaux sur la machine extraire la fiche de la prise de courant.



Veuillez lire avec soin le mode d'emploi avant la mise en service



Accessoires - Ces pièces ne font pas partie de la livraison. Il s'agit là de compléments recommandés pour votre machine et énumérés dans le catalogue des accessoires.



Les dispositifs électriques ne sont pas à éliminer dans les déchets ménagers. Les dispositifs électriques et électroniques sont à collecter séparément et à remettre à un centre de recyclage en vue de leur élimination dans le respect de l'environnement. S'adresser aux autorités locales ou au détaillant spécialisé en vue de connaître l'emplacement des centres de recyclage et des points de collecte.



Outil électrique en classe de protection II. Outil électrique équipé d'une protection contre la fulguration électrique qui ne dépend seulement de l'isolation de base mais aussi de l'application d'autres mesures de protection telles qu'une double isolation ou une isolation augmentée.



Marque CE



Marque de qualité UkrSEPRO

TR 066



Marque de qualité EurAsian



DATI TECNICI Trapani a percussione	SB2E 850 R	SB2E 1100 RV
Numero di serie	4473 61 02... ... 000001-999999	4473 76 02... ... 000001-999999
Potenza assorbita nominale	850 W	1100 W
Potenza erogata	460 W	600 W
Numero di giri a vuoto 1. velocità	0-1000 min ⁻¹	0-1000 min ⁻¹
Numero di giri a vuoto 2. velocità	0-3000 min ⁻¹	0-3000 min ⁻¹
Numero di giri a carico 1. velocità	0-680 min ⁻¹	0-680 min ⁻¹
Numero di giri a carico 2. velocità	0-2000 min ⁻¹	0-2000 min ⁻¹
Percussione a pieno carico max.	38000 min ⁻¹	38000 min ⁻¹
Percussione a pieno max.	57000 min ⁻¹	57000 min ⁻¹
Momento di bloccaggio statico	56/30 Nm	60/33 Nm
∅ Foratura in calcestruzzo	20 mm	22 mm
∅ Foratura in mattone e in arenaria calcarea	22 mm	24 mm
∅ Foratura in acciaio	13 mm	16 mm
∅ Foratura in legno	40 mm	40 mm
Capacità mandrino	1,5-13 mm	1,5-13 mm
Attacco mandrino	1/2" - 20 UNF	1/2" - 20 UNF
∅ collarino di fissaggio	43 mm	43 mm
Peso secondo la procedura EPTA 01/2003	2,7 kg	2,9 kg
Informazioni sulla rumorosità Valori misurati conformemente alla norma EN 60745. La misurazione A del livello di pressione acustica dell'utensile è di solito di:		
Livello di rumorosità (Incertezza della misura K=3dB(A))	100,0 dB (A)	94,0 dB (A)
Potenza della rumorosità (Incertezza della misura K=3dB(A))	111 dB (A)	105 dB (A)
Utilizzare le protezioni per l'udito!		
Informazioni sulle vibrazioni Valori totali delle oscillazioni (somma di vettori in tre direzionmisurati conformemente alla norma EN 60745)		
Perforazione in metallo: Valore di emissione dell'oscillazione a _{h,D}	2,7 m/s ²	3,5 m/s ²
Incertezza della misura K=	1,5 m/s ²	1,5 m/s ²
Perforazione a percussione: Valore di emissione dell'oscillazione a _{h,10}	13,4 m/s ²	12,2 m/s ²
Incertezza della misura K=	1,5 m/s ²	1,5 m/s ²
Avvitatura senza impatto: Valore di emissione dell'oscillazione a _h	1,1 m/s ²	1,8 m/s ²
Incertezza della misura K=	1,5 m/s ²	1,5 m/s ²

AVVERTENZA!

Il livello di vibrazioni indicato nelle presenti istruzioni è stato misurato in conformità con un procedimento di misurazione codificato nella EN 60745 e può essere utilizzato per un confronto tra attrezzi elettrici. Inoltre si può anche utilizzare per una valutazione preliminare della sollecitazione da vibrazioni.

Il livello di vibrazioni indicato rappresenta le applicazioni principali dell'attrezzo elettrico. Se viceversa si utilizza l'attrezzo elettrico per altri scopi, con accessori differenti o con una manutenzione insufficiente, il livello di vibrazioni può risultare diverso. E questo può aumentare decisamente la sollecitazione da vibrazioni lungo l'intero periodo di lavorazione.

Ai fini di una valutazione precisa della sollecitazione da vibrazioni si dovrebbero tenere presente anche i periodi in cui l'apparecchio rimane spento oppure, anche se acceso, non viene effettivamente utilizzato. Ciò può ridurre notevolmente la sollecitazione da vibrazioni lungo l'intero periodo di lavorazione.

Stabilite misure di sicurezza supplementari per la tutela dell'operatore dall'effetto delle vibrazioni, come ad esempio: manutenzione dell'attrezzo elettrico e degli accessori, riscaldamento delle mani, organizzazione dei processi di lavoro.

⚠️ AVVERTENZA! E' necessario leggere tutte le indicazioni di sicurezza e le istruzioni. In caso di mancato rispetto delle avvertenze di pericolo e delle istruzioni operative si potrà creare il pericolo di scosse elettriche, incendi e/o incidenti gravi.
Conservare tutte le avvertenze di pericolo e le istruzioni operative per ogni esigenza futura.

⚠️ INDICAZIONI DI SICUREZZA PER TRAPANI

Indossare cuffie protettive durante la trapanatura a percussione. L'esposizione al rumore potrebbe comportare una riduzione dell'udito.

Utilizzare l'utensile con la sua impugnatura supplementare. La perdita di controllo potrebbe causare danneggiamenti all'utilizzatore.

Quando si eseguono lavori in cui vi è pericolo che l'accessorio impiegato possa arrivare a toccare cavi elettrici nascosti oppure anche il cavo elettrico della macchina stessa, tenere l'elettro utensile afferrandolo sempre alle superfici di impugnatura isolate. L'eventuale contatto dell'utensile da taglio con un cavo sotto tensione potrebbe mettere sotto tensione le parti metalliche dell'apparecchio e provocare una folgorazione.

⚠️ INDICAZIONI DI SICUREZZA PER AVVITATORI

Impugnare l'apparecchio sulle superfici di tenuta isolate mentre si eseguono lavori durante i quali la vite potrebbe entrare in contatto con cavi di corrente o con il proprio cavo d'alimentazione. La vite che entra in contatto con una conduttura in tensione può mettere sotto tensione le parti metalliche dell'apparecchio e causare scosse elettriche.

Ulteriori avvisi di sicurezza e di lavoro

Usare dispositivi di protezione. Durante il lavoro con la macchina bisogna sempre portare occhiali di protezione. Si consiglia di indossare indumenti di protezione come maschera antipolvere, guanti di protezione, scarpe antiscivolo robuste, casco e cuffie di protezione acustica.

Tenere sempre lontano il cavo di collegamento dall'area di lavoro dell'attrezzo.

E' vietato lavorare materiali che possono costituire pericoli alla salute (ad es. amianto).

Forando pareti, soffitti o pavimenti, si faccia attenzione ai cavi elettrici e alle condutture dell'acqua e del gas.

Fissare in sicurezza il pezzo in lavorazione con un dispositivo di serraggio. Pezzi in lavorazione che non siano fissati in sicurezza possono causare gravi lesioni e danni.

Spegnerne immediatamente il dispositivo in caso di bloccaggio! Non riaccendere il dispositivo fino a quando l'utensile ad inserto resta bloccato; esiste il rischio di causare un contraccolpo con elevato momento di reazione. Rilevare ed eliminare la causa del bloccaggio dell'utensile ad inserto tenendo conto delle indicazioni di sicurezza.

Le possibili cause sono:

- Incastro nel pezzo in lavorazione
- Il dispositivo ha attraversato il materiale da lavorare rompendolo
- Il dispositivo elettrico è stato sovraccaricato

Non avvicinare le mani alla parte della macchina in movimento.

Durante l'uso l'utensile ad inserto può surriscaldarsi.

- AVVERTENZA! Pericolo di ustioni**
- durante la sostituzione dell'utensile
 - durante il deposito dell'utensile

Non rimuovere trucioli o schegge mentre l'utensile è in funzione.

Prima di effettuare qualsiasi lavoro sulla macchina togliere la spina dalla presa di corrente.

UTILIZZO CONFORME

Il trapano a percussione/avvitatore elettronico può essere utilizzato per forare, forare a percussione, per avvitare e per filettare.

DICHIARAZIONE DI CONFORMITÀ CE

Assumendone la piena responsabilità, dichiariamo che il prodotto descritto nei "Dati tecnici" è conforme alle pertinenti disposizioni delle direttive:

2011/65/EU (RoHS)

2014/30/EU

2006/42/CE

e che sono state applicate le seguenti norme armonizzate

EN 60745-1:2009 + A11:2010

EN 60745-2-1:2010

EN 60745-2-2:2010

EN 55014-1:2006 + A1:2009 + A2:2011

EN 55014-2:1997 + A1:2001 + A2:2008

EN 61000-3-2:2014

EN 61000-3-3:2013

EN 50581:2012



Winnenden, 2016-03-25

Alexander Krug / Managing Director

Autorizzato alla preparazione della documentazione tecnica

Techtronic Industries GmbH

Max-Eyth-Straße 10, 71364 Winnenden, Germany

COLLEGAMENTO ALLA RETE

Gli apparecchi mobili usati all'aperto devono essere collegati interponendo un interruttore di sicurezza (FI, RCD, PRCD) per guasti di corrente.

Connettere solo corrente alternata mono fase e solo al sistema di voltaggio indicato sulla piastra. E' possibile anche connettere la presa senza un contatto di messa a terra così come prevede lo schema conforme alla norme di sicurezza di classe II.

Inserire la spina solo con interruttore su posizione „OFF“.



MANUTENZIONE

Tener sempre ben pulite le fessure di ventilazione dell'apparecchio.

Se la macchina è prevalentemente usata per trapanatura a percussione, rimuovere regolarmente la polvere dal mandrino. Per rimuovere la polvere tenere la macchina con il mandrino verso il basso in posizione verticale e aprire e chiudere completamente il mandrino. La polvere cadrà dal mandrino. Si raccomanda un uso regolare di pulitori (Id. No. 4932 6217 19) per le ganasce e le fessure delle ganasce.

Se il cavo di allacciamento elettrico è danneggiato, deve essere immediatamente sostituito dal punto di servizio assistenza, perché allo scopo serve un utensile speciale.

Utilizzare esclusivamente accessori e pezzi di ricambio AEG. L'installazione di pezzi di ricambio non specificamente prescritti dall'AEG va preferibilmente effettuata dal servizio di assistenza clienti AEG (ved. opuscolo Garanzia/Indirizzi Assistenza tecnica).

In caso di mancanza del disegno esploso, può essere richiesto al seguente indirizzo: Techtronic Industries GmbH, Max-Eyth-Straße 10, 71364 Winnenden, Germany.



SIMBOLI



ATTENZIONE! AVVERTENZA! PERICOLO!



Prima di effettuare qualsiasi lavoro sulla macchina togliere la spina dalla presa di corrente.



Leggere attentamente le istruzioni per l'uso prima di mettere in funzione l'elettro utensile.



Accessorio - Non incluso nella dotazione standard, disponibile a parte come accessorio.



I dispositivi elettrici non devono essere smaltiti con i rifiuti domestici. I dispositivi elettrici ed elettronici devono essere raccolti separatamente e devono essere conferiti ad un centro di riciclaggio per lo smaltimento rispettoso dell'ambiente. Chiedere alle autorità locali o al rivenditore specializzato dove si trovano i centri di riciclaggio e i punti di raccolta.



Utensile elettrico di classe di protezione II. Utensile elettrico sul quale la protezione contro la folgorazione elettrica non dipende soltanto dall'isolamento di base, ma anche dall'applicazione di ulteriori misure di protezione, come il doppio isolamento o l'isolamento maggiorato.



Marchio CE



Marchio di conformità UkrSEPRO



Marchio di conformità EurAsian

DATOS TÉCNICOS Taladro con Percusión	SB2E 850 R	SB2E 1100 RV
Número de producción	4473 61 02... ... 000001-999999	4473 76 02... ... 000001-999999
Potencia de salida nominal	850 W	1100 W
Potencia entregada	460 W	600 W
Velocidad en vacío 1ª velocidad	0-1000 min ⁻¹	0-1000 min ⁻¹
Velocidad en vacío 2ª velocidad	0-3000 min ⁻¹	0-3000 min ⁻¹
Velocidades en carga 1ª velocidad	0-680 min ⁻¹	0-680 min ⁻¹
Velocidades en carga 2ª velocidad	0-2000 min ⁻¹	0-2000 min ⁻¹
Frecuencia de impactos bajo carga máx.	38000 min ⁻¹	38000 min ⁻¹
Frecuencia de impactos máx.	57000 min ⁻¹	57000 min ⁻¹
Par de bloqueo estático	56/30 Nm	60/33 Nm
Diámetro de taladrado en hormigón	20 mm	22 mm
Diámetro de taladrado ladrillo y losetas	22 mm	24 mm
Diámetro de taladrado en acero	13 mm	16 mm
Diámetro de taladrado en madera	40 mm	40 mm
Gama de apertura del portabrocas	1,5-13 mm	1,5-13 mm
Eje de accionamiento	1/2" - 20 UNF	1/2" - 20 UNF
Diámetro de cuello de amarre	43 mm	43 mm
Peso de acuerdo con el procedimiento EPTA 01/2003	2,7 kg	2,9 kg

Información sobre ruidos

Determinación de los valores de medición según norma EN 60745. El nivel de ruido típico del aparato determinado con un filtro A corresponde a:

Presión acústica (Tolerancia K=3dB(A))	100,0 dB (A)	94,0 dB (A)
Resonancia acústica (Tolerancia K=3dB(A))	111 dB (A)	105 dB (A)

Usar protectores auditivos!

Informaciones sobre vibraciones

Nivel total de vibraciones (suma vectorial de tres direcciones) determinado según EN 60745.

Taladrado en metal: Valor de vibraciones generadas $a_{h,d}$	2,7 m/s ²	3,5 m/s ²
Tolerancia K=	1,5 m/s ²	1,5 m/s ²
taladrado de percusión: Valor de vibraciones generadas $a_{h,10}$	13,4 m/s ²	12,2 m/s ²
Tolerancia K=	1,5 m/s ²	1,5 m/s ²
Atornillado sin impacto: Valor de vibraciones generadas a_h	1,1 m/s ²	1,8 m/s ²
Tolerancia K=	1,5 m/s ²	1,5 m/s ²

ADVERTENCIA!

El nivel vibratorio indicado en estas instrucciones ha sido medido conforme a un método de medición estandarizado en la norma EN 60745, y puede utilizarse para la comparación entre herramientas eléctricas. También es apropiado para una estimación provisional de la carga de vibración.

El nivel vibratorio indicado representa las aplicaciones principales de la herramienta eléctrica. Si, pese a ello, se utiliza la herramienta eléctrica para otras aplicaciones, con útiles adaptables diferentes o con un mantenimiento insuficiente, el nivel vibratorio puede diferir. Esto puede incrementar sensiblemente la carga de vibración durante todo el periodo de trabajo.

Para una estimación exacta de la carga de vibración deberían tenerse en cuenta también los tiempos durante los que el aparato está apagado o, pese a estar en funcionamiento, no está siendo realmente utilizado. Esto puede reducir sustancialmente la carga de vibración durante todo el periodo de trabajo.

Adopte medidas de seguridad adicionales para la protección del operador frente al efecto de las vibraciones, como por ejemplo: mantenimiento de la herramienta eléctrica y de los útiles adaptables, mantener las manos calientes, organización de los procesos de trabajo.



E

⚠️ ADVERTENCIA! Rogamos leer las indicaciones de seguridad y las instrucciones. En caso de no atenderse a las advertencias de peligro e instrucciones siguientes, ello puede ocasionar una descarga eléctrica, un incendio y/o lesión grave.

Guardar todas las advertencias de peligro e instrucciones para futuras consultas.

⚠️ INSTRUCCIONES DE SEGURIDAD PARA TALADRADORAS

Utilice protectores de oídos al taladrar con percusión. La exposición a niveles de ruido excesivos puede causar la pérdida de audición.

¡Utilice las empuñaduras auxiliares suministradas con la herramienta! La pérdida de control de la herramienta puede causar accidentes

Únicamente sujete el aparato por las empuñaduras aisladas al realizar trabajos en los que el útil pueda tocar conductores eléctricos ocultos o el propio cable del aparato.

El contacto de la perforadora de percusión con un conducto con energía aplicada también podrá poner bajo tensión partes metálicas del aparato y causar un choque eléctrico.

⚠️ INSTRUCCIONES DE SEGURIDAD PARA ATORNILLADORES

Sujete el aparato por las superficies de sujeción aisladas cuando realice trabajos en los que el tornillo puede alcanzar líneas de corriente eléctrica ocultas o con el propio cable. El contacto del tornillo con una línea conductora de corriente puede poner las partes metálicas del aparato bajo tensión y provocar un choque eléctrico.

Instrucciones adicionales de seguridad y laborales

Utilice el equipamiento de protección. Mientras trabaje con la máquina lleve siempre gafas protectoras. Se recomienda utilizar ropa de protección como máscara protectora contra el polvo, guantes protectores, calzado resistente y antideslizante, casco y protección para los oídos.

Mantener siempre el cable separado del radio de acción de la máquina.

No se deben trabajar materiales que conlleven un riesgo para la salud (por ej. amianto).

Para trabajar en paredes, techo o suelo, tenga cuidado para evitar los cables eléctricos y tuberías de gas o agua.

Fije la pieza de trabajo con un dispositivo de fijación. Las piezas de trabajo no fijadas pueden causar lesiones graves y deterioros.

¡En caso de que se bloquee el útil, el aparato se debe desconectar inmediatamente! No vuelva a conectar el aparato, mientras el útil esté bloqueado; se podría producir un rechazo debido a la reacción de retroceso brusca. Averigüe y elimine la causa del bloqueo del útil, teniendo en cuenta las indicaciones de seguridad.

Causas posibles para ello pueden ser:

- Atascamiento o bloqueo en la pieza de trabajo
- Rotura del material con el que está trabajando.
- Sobrecarga de la herramienta eléctrica

No introduzca las manos en la máquina mientras ésta se encuentra en funcionamiento.

El útil se puede calentar durante el uso.

ADVERTENCIA! Peligro de quemaduras

- en caso de cambiar la herramienta
- en caso de depositar el aparato

Nunca se debe intentar limpiar el polvo o viruta procedente del taladrado con la máquina en funcionamiento.

Desconecte siempre el enchufe antes de llevar a cabo cualquier trabajo en la máquina.

APLICACIÓN DE ACUERDO A LA FINALIDAD

El taladro-atornillador electrónico se puede usar universalmente para taladrado normal, taladrado a percusión, atornillado y roscado.

DECLARACION DE CONFORMIDAD CE

Declaramos bajo nuestra única responsabilidad que el producto descrito bajo „Datos técnicos“ cumple todas las disposiciones pertinentes de las directivas:

2011/65/EU (RoHS)

2014/30/EU

2006/42/CE

y que se han implementado y estándares

EN 60745-1:2009 + A11:2010

EN 60745-2-1:2010

EN 60745-2-2:2010

EN 55014-1:2006 + A1:2009 + A2:2011

EN 55014-2:1997 + A1:2001 + A2:2008

EN 61000-3-2:2014

EN 61000-3-3:2013

EN 50581:2012



Winnenden, 2016-03-25

Alexander Krug / Managing Director

Autorizado para la redacción de los documentos técnicos.

Techtronic Industries GmbH

Max-Eyth-Straße 10, 71364 Winnenden, Germany

CONEXIÓN ELÉCTRICA

Conecte siempre la máquina a una red protegida por interruptor diferencial y magnetotérmico (FI, RCD, PRCD), para su seguridad personal, según normas establecidas para instalaciones eléctricas de baja tensión.

Conectar solamente a corriente AC monofásica y sólo al voltaje indicado en la placa de características. También es posible la conexión a enchufes sin toma a tierra, dado que es conforme a la Clase de Seguridad II.

Enchufar la máquina a la red solamente en posición desconectada.

MANTENIMIENTO

Las ranuras de ventilación de la máquina deben estar despejadas en todo momento.

Si la máquina se usa principalmente para taladrado a percusión, limpie periódicamente el polvo acumulado en el portabrocas. Para limpiar el polvo, sujete la máquina con el portabrocas mirando verticalmente hacia abajo, y ábralo y ciérrelo completamente. El polvo acumulado caerá del portabrocas. Se recomienda utilizar regularmente un limpiador (designación 4932 6217 19) para las mordazas de sujeción y los alojamientos de éstas.

Si el cable de conexión a la red estuviera dañado, deberá ser sustituido en un punto de servicio técnico, para evitar situaciones de peligro.

Solo se deben utilizar accesorios y piezas de repuestos AEG. Piezas cuyo recambio no está descrito en las instrucciones de uso, deben sustituirse en un centro de asistencia técnica AEG (Consulte el folleto Garantía/Direcciones de Centros de Asistencia Técnica).

En caso necesario, puede solicitar un despiece de la herramienta. Por favor indique el número de impreso que hay en la etiqueta y pida el despiece a la siguiente dirección: Techtronic Industries GmbH, Max-Eyth-Straße 10, 71364 Winnenden, Germany.



SÍMBOLOS



¡ATENCIÓN! ¡ADVERTENCIA! ¡PELIGRO!



Desconecte siempre el enchufe antes de llevar a cabo cualquier trabajo en la máquina.



Lea las instrucciones detenidamente antes de conectar la herramienta



Accesorio - No incluido en el equipo estándar, disponible en la gama de accesorios.



Los aparatos eléctricos no se deben eliminar junto con la basura doméstica. Los aparatos eléctricos y electrónicos se deben recoger por separado y se deben entregar a una empresa de reciclaje para una eliminación respetuosa con el medio ambiente. Infórmese en las autoridades locales o en su tienda especializada sobre los centros de reciclaje y puntos de recogida.



Herramienta eléctrica de la clase de protección II. Herramientas eléctricas, en las que la protección contra un choque eléctrico no depende solamente del aislamiento básico sino también de la aplicación de medidas adicionales de protección, como doble aislamiento o aislamiento reforzado.



Marca CE



Certificado UkrSEPRO de conformidad



Certificado EAC de conformidad

CARACTERÍSTICAS TÉCNICAS Berbequim com Percussão	SB2E 850 R	SB2E 1100 RV
Número de produção	4473 61 02... ... 000001-999999	4473 76 02... ... 000001-999999
Potência absorvida nominal	850 W	1100 W
Potência de saída	460 W	600 W
Velocidade em vazio 1ª velocidade	0-1000 min ⁻¹	0-1000 min ⁻¹
Velocidade em vazio 2ª velocidade	0-3000 min ⁻¹	0-3000 min ⁻¹
Velocidade de rotação máxima em carga 1ª velocidade	0-680 min ⁻¹	0-680 min ⁻¹
Velocidade de rotação máxima em carga 2ª velocidade	0-2000 min ⁻¹	0-2000 min ⁻¹
Frequência de percussão em carga no máx.	38000 min ⁻¹	38000 min ⁻¹
Frequência de percussão no máx.	57000 min ⁻¹	57000 min ⁻¹
Binário de bloqueio estático	56/30 Nm	60/33 Nm
∅ de furo em betão	20 mm	22 mm
∅ de furo em tijolo e calcário	22 mm	24 mm
∅ de furo em aço	13 mm	16 mm
∅ de furo em madeira	40 mm	40 mm
Capacidade da bucha	1,5-13 mm	1,5-13 mm
Veio da bucha	1/2" - 20 UNF	1/2" - 20 UNF
∅ da gola de aperto	43 mm	43 mm
Peso nos termos do procedimento-EPTA 01/2003	2,7 kg	2,9 kg
Informações sobre ruído		
Valores de medida de acordo com EN 60745. O nível de ruído avaliado A do aparelho é tipicamente:		
Nível da pressão de ruído (Incertez K=3dB(A))	100,0 dB (A)	94,0 dB (A)
Nível da potência de ruído (Incertez K=3dB(A))	111 dB (A)	105 dB (A)
Use protectores auriculares!		
Informações sobre vibração		
Valores totais de vibração (soma dos vectores das três direcções) determinadas conforme EN 60745.		
Furar em metal: Valor de emissão de vibração a _{h,d}	2,7 m/s ²	3,5 m/s ²
Incerteza K=	1,5 m/s ²	1,5 m/s ²
Furar de impacto em betão: Valor de emissão de vibração a _{h,10}	13,4 m/s ²	12,2 m/s ²
Incerteza K=	1,5 m/s ²	1,5 m/s ²
Aparafusar sem impacto: Valor de emissão de vibração a _n	1,1 m/s ²	1,8 m/s ²
Incerteza K=	1,5 m/s ²	1,5 m/s ²

ATENÇÃO!

O nível vibratório indicado nestas instruções foi medido em conformidade com um procedimento de medição normalizado na EN 60745 e pode ser utilizado para comparar entre si ferramentas eléctricas. O mesmo é também adequado para avaliar provisoriamente o esforço vibratório.

O nível vibratório indicado representa as principais aplicações da ferramenta eléctrica. Se, no entanto, a ferramenta eléctrica for utilizada para outras aplicações, com outras ferramentas adaptadas ou uma manutenção insuficiente, o nível vibratório poderá divergir. Isto pode aumentar consideravelmente o esforço vibratório ao longo de todo o período do trabalho.

Para uma avaliação exacta do esforço vibratório devem também ser considerados os tempos durante os quais o aparelho está desligado ou está a funcionar, mas não está efectivamente a ser utilizado. Isto pode reduzir consideravelmente o esforço vibratório ao longo de todo o período do trabalho.

Defina medidas de segurança suplementares para proteger o operador do efeito das vibrações, como por exemplo: manutenção da ferramenta eléctrica e das ferramentas adaptadas, manter as mãos quentes, organização das sequências de trabalho.

ATENÇÃO! Leia todas as instruções de segurança e todas as instruções. O desrespeito das advertências e instruções apresentadas abaixo pode causar choque eléctrico, incêndio e/ou graves lesões.

Guarde bem todas as advertências e instruções para futura referência.

INSTRUÇÕES DE SEGURANÇA PARA BERBEQUINS

Use uma protecção dos ouvidos ao usar o berbequim de percussão. Os ruídos podem causar surdez.

Sempre use os punhos adicionais fornecidos com o aparelho. A perda de controlo pode causar feridas.

Ao executar trabalhos durante os quais possam ser atingidos cabos eléctricos ou o próprio cabo de rede, deverá sempre segurar a ferramenta eléctrica pelas superfícies isoladas do punho. O contacto da ferramenta de corte com uma linha sob tensão também pode colocar peças metálicas do aparelho sob tensão e levar a um choque eléctrico.

INSTRUÇÕES DE SEGURANÇA PARA APARAFUSADORAS

Segure o aparelho pela superfície isoladora do punho, se executar trabalhos nos quais o parafuso possa tocar em linhas eléctricas ocultas ou no próprio cabo. O contacto do parafuso com uma linha sob tensão pode também colocar peças metálicas do aparelho sob tensão e provocar um choque eléctrico.

Instruções de segurança e trabalho suplementares

Utilizar equipamento de protecção. Durante os trabalhos com a máquina, usar sempre óculos de protecção. Vestuário de protecção, bem como máscara de pó, sapatos fechados e antiderrapante, capacete e protecção auditiva são recomendados.

Manter sempre o cabo de ligação fora da zona de acção da máquina.

Não devem ser processados materiais que representem um perigo para a saúde (p. ex. asbesto).

Ao trabalhar em paredes, tectos e soalhos prestar atenção a que não sejam atingidos cabos eléctricos e canalizações de gás e água.

Fixe a peça a trabalhar com um dispositivo de fixação. Peças a trabalhar não fixadas podem levar a feridas graves e danos sérios.

Desligue o aparelho imediatamente, quando a ferramenta de inserção bloquear! Não ligue o aparelho novamente durante o bloqueio da ferramenta de inserção, pois isso pode levar a um recuo repentino com uma alta força reactiva. Verifique e elimine a causa do bloqueio da ferramenta de inserção, observando as instruções de segurança.

Causas possíveis podem ser:

- Emperramento na peça a trabalhar
- Ruptura do material a processar
- Sobrecarga da ferramenta eléctrica

Não toque na máquina em operação.

A ferramenta de inserção pode ficar quente durante a operação.

ATENÇÃO! Perigo de queimar-se

- na troca das ferramentas
- ao depositar o aparelho

Não remover aparas ou lascas enquanto a máquina trabalha.

Antes de efectuar qualquer intervenção na máquina, tirar a ficha da tomada.

UTILIZAÇÃO AUTORIZADA

O berbequim aparafusador electrónico com percussão tem aplicação universal para furar, furar com percussão, aparafusar e abrir riscas.

DECLARAÇÃO DE CONFORMIDADE CE

Declaramos, sob a nossa inteira responsabilidade, que o produto descrito em «Dados Técnicos» cumpre todas as disposições relevantes das diretivas:

2011/65/EU (RoHS)

2014/30/EU

2006/42/CE

tendo sido seguidas as seguintes normas harmonizadas

EN 60745-1:2009 + A11:2010

EN 60745-2-1:2010

EN 60745-2-2:2010

EN 55014-1:2006 + A1:2009 + A2:2011

EN 55014-2:1997 + A1:2001 + A2:2008

EN 61000-3-2:2014

EN 61000-3-3:2013

EN 50581:2012



Winnenden, 2016-03-25

Alexander Krug / Managing Director

Autorizado a reunir a documentação técnica.

Techtronic Industries GmbH

Max-Eyth-Straße 10, 71364 Winnenden, Germany

LIGAÇÃO À REDE

Aparelhos não estacionários, utilizados ao ar livre, devem ser protegidos por um disjuntor de corrente de defeito (FI, RCD, PRCD).

Só conectar à corrente alternada monofásica e só à tensão de rede indicada na placa de potência. A conexão às tomadas de rede sem contacto de segurança também é possível, pois trata-se duma construção da classe de protecção II.

Ao ligar à rede, a máquina deve estar desligada.

MANUTENÇÃO

Manter desobstruídos os rasgos de ventilação na carcaça da máquina.

Se a máquina for principalmente usada para furação com percussão, remova com regularidade a poeira acumulada na bucha. Para remover a poeira segure a máquina com a bucha a apontar para baixo verticalmente, e abra e feche completamente a bucha. A poeira acumulada irá cair da bucha. É recomendável usar regularmente um dispositivo de limpeza (ref. n.º 4932 6217 19). Para as garras de aperto e para as limalhas das mesmas.

Se o cabo de alimentação eléctrica estiver danificado, este deverá ser substituído junto de um serviço de assistência ao cliente dado, que será necessário utilizar ferramentas especiais.



Utilizar unicamente acessórios e peças sobressalentes da AEG. Sempre que a substituição de um componente não tenha sido descrita nas instruções, será de toda a conveniência mandar executar esse trabalho a um Serviço de Assistência AEG (veja o folheto Garantia/Endereços de Serviços de Assistência).

A pedido e mediante indicação da referência que consta da chapa de características da máquina, pode requerer-se um desenho explosivo da ferramenta eléctrica a: Techtronic Industries GmbH, Max-Eyth-Straße 10, 71364 Winnenden, Germany.

SYMBOLE



ATENÇÃO! PERIGO!



Antes de efectuar qualquer intervenção na máquina, tirar a ficha da tomada.



Leia atentamente o manual de instruções antes de colocar a máquina em funcionamento.



Acessório - Não incluído no equipamento normal, disponível como acessório.



Aparelhos eléctricos não devem ser jogados no lixo doméstico. Aparelhos eléctricos e electrónicos devem ser colectados separadamente e entregues a uma empresa de reciclagem para a eliminação correcta. Solicite informações sobre empresas de reciclagem e postos de colecta de lixo das autoridades locais ou do seu vendedor autorizado.



Ferramenta eléctrica da classe de protecção II. Ferramenta eléctrica, na qual a protecção contra choque eléctrico não só depende do isolamento básico, mas também da aplicação de medidas de protecção suplementares, como isolamento duplo ou reforçado.



Marca CE



Marca de conformidade UkrSEPRO.



Marca de conformidade EurAsian.

TECHNISCHE GEGEVENS Slagboormachine	SB2E 850 R	SB2E 1100 RV
Productienummer	4473 61 02... ... 000001-999999	4473 76 02... ... 000001-999999
Nominaal afgegeven vermogen	850 W	1100 W
Afgegeven vermogen	460 W	600 W
Onbelast toerental 1e versnelling	0-1000 min ⁻¹	0-1000 min ⁻¹
Onbelast toerental 2e versnelling	0-3000 min ⁻¹	0-3000 min ⁻¹
Belast toerental 1e versnelling	0-680 min ⁻¹	0-680 min ⁻¹
Belast toerental 2e versnelling	0-2000 min ⁻¹	0-2000 min ⁻¹
Aantal slagen belast max.	38000 min ⁻¹	38000 min ⁻¹
Aantal slagen max.	57000 min ⁻¹	57000 min ⁻¹
Statisch draaimoment	56/30 Nm	60/33 Nm
Boor-Ø in beton	20 mm	22 mm
Boor-Ø in tegel en kalkzandsteen	22 mm	24 mm
Boor-Ø in staal	13 mm	16 mm
Boor-Ø in hout	40 mm	40 mm
Spanwijdte boorhouder	1,5-13 mm	1,5-13 mm
Booras	1/2" - 20 UNF	1/2" - 20 UNF
Spanhals-Ø	43 mm	43 mm
Gewicht volgens de EPTA-procedure 01/2003	2,7 kg	2,9 kg
Geluidsinformatie		
Meetwaarden vastgesteld volgens EN 60745. Het kenmerkende A-gewogen geluidsniveau van de machine bedraagt:		
Geluidsdruk niveau (Onzekerheid K=3dB(A))	100,0 dB (A)	94,0 dB (A)
Geluidsvermogniveau (Onzekerheid K=3dB(A))	111 dB (A)	105 dB (A)
Draag oorbeschermers!		
Trillingsinformatie		
Totale trillingswaarden (vectorsom van drie richtingebepaald volgens EN 60745).		
Boren in metaal: Trillingsemisiewaarde a _{h,D}	2,7 m/s ²	3,5 m/s ²
Onzekerheid K=	1,5 m/s ²	1,5 m/s ²
Slagboren in beton: Trillingsemisiewaarde a _{h,10}	13,4 m/s ²	12,2 m/s ²
Onzekerheid K=	1,5 m/s ²	1,5 m/s ²
Schroeven zonder hamerslag: Trillingsemisiewaarde a _h	1,1 m/s ²	1,8 m/s ²
Onzekerheid K=	1,5 m/s ²	1,5 m/s ²



WAARSCHUWING!

De in deze aanwijzingen vermelde trillingsdruk is gemeten volgens een in EN 60745 genormeerde meetmethode en kan worden gebruikt voor de onderlinge vergelijking van apparaten. Hij is ook geschikt voor een voorlopige inschatting van de trillingsbelasting. De aangegeven trillingsdruk geldt voor de meest gebruikelijke toepassingen van het elektrische apparaat. Wanneer het elektrische gereedschap echter voor andere doeleinden, met andere dan de voorgeschreven hulpstukken gebruikt of niet naar behoren onderhouden wordt, kan de trillingsdruk afwijken. Dit kan de waarde van de trillingsdruk over de hele werkperiode aanzienlijk verhogen. Voor een nauwkeurige inschatting van de trillingsdruk moeten ook de tijden in aanmerking worden genomen dat het apparaat uitgeschakeld is of weliswaar loopt, maar niet werkelijk in gebruik is. Dit kan de waarde van de trillingsdruk over de hele werkperiode aanzienlijk verminderen.

Bepaal extra veiligheidsmaatregelen ter bescherming van de bediener tegen de inwerking van trillingen, bijvoorbeeld: onderhoud van elektrische gereedschappen en apparaten, warmhouden van de handen, organisatie van de werkprocessen.

WAARSCHUWING! Lees alle veiligheidsinstructies en aanwijzingen door. Als de waarschuwingen en voorschriften niet worden opgevolgd, kan dit een elektrische schok, brand of ernstig letsel tot gevolg hebben.

Bewaar alle waarschuwingen en voorschriften voor toekomstig gebruik.

VEILIGHEIDSSINSTRUCTIES VOOR BOORMACHINES

Draag gehoorbescherming tijdens het klopboren. Lawaai kan gehoorverlies veroorzaken.

Gebruik de bij de machine geleverde zijhandgreep. Verlies aan controle kan tot persoonlijk letsel leiden.

Houd het elektrische gereedschap alleen vast aan de geïsoleerde greepvlakken als u werkzaamheden uitvoert waarbij het inzetgereedschap verborgen stroomleidingen of de eigen netkabel kan raken. Het contact van het snijgereedschap met een spanningvoerende leiding kan de metalen apparaatdelen onder spanning zetten en zo tot een elektrische schok leiden.

VEILIGHEIDSSINSTRUCTIES VOOR SCHROEVENDRAAIERS

Houd het apparaat alléén vast aan de geïsoleerde grijpvlakken als u werkzaamheden uitvoert waarbij de schroef verborgen stroomleidingen of de eigen apparaatkabel zou kunnen raken. Het contact van de schroef met een spanningvoerende leiding kan de metalen apparaatdelen onder spanning zetten en zo tot een elektrische schok leiden.

Verdere veiligheids- en werkinstructies

Draag veiligheidsuitrusting. Bij werkzaamheden met de machine dient u altijd een veiligheidsbril te dragen. Veiligheidskleding zoals stofmasker, veiligheidshandschoenen, stevig en slipvast schoeisel, helm en gehoorbescherming worden aanbevolen.

Snoer altijd buiten werkbereik van de machine houden.

Het is niet toegestaan, materialen te bewerken waarvan een gezondheidsgevaar uitgaat (bijv. asbest).

Bij het werken in wanden, plafonds of vloeren oppassen voor elektriciteitsdraden, gas- of waterleidingen.

Borg uw werkstuk met behulp van een spaninrichting Niet geborgde werkstukken kunnen ernstig letsel en grote schade veroorzaken.

Schakel het apparaat onmiddellijk uit als het gereedschap blokkeert! Schakel het apparaat niet in zolang het gereedschap geblokkeerd is; dit zou een terugslag met een hoog reactiemoment kunnen veroorzaken. Achterhaal en verhelp de oorzaak voor de blokkering van het gereedschap met inachtneming van de veiligheidsinstructies.

Mogelijke oorzaken zijn:

- kantelen in het te bewerken werkstuk
- Doorbreken van het te bewerken materiaal
- overbelasting van het elektrische gereedschap

Grijp niet in de lopende machine.

Het gereedschap kan heet worden tijdens het gebruik.

WAARSCHUWING! Gevaar voor verbranding

- bij het vervangen van het gereedschap
- bij het neerleggen van het apparaat

Spanen of splinters mogen bij draaiende machine niet worden verwijderd.

Voor alle werkzaamheden aan de machine de stekker uit de kontaktdoos trekken.

VOORGESCHREVEN GEBRUIK VAN HET SYSTEEM

De elektronische slagboor-schroevendraaier is universeel te gebruiken voor boren, slagboren, schroeven en tappen.

EC - VERKLARING VAN OVEREENSTEMMING

We verklaren geheel onder eigen verantwoordelijkheid dat het product in de "Technische data" voldoet aan alle relevante bepalingen van de richtlijnen:

2011/65/EU (RoHS)

2014/30/EU

2006/42/EG

en de volgende geharmoniseerde normen zijn gebruikt.

EN 60745-1:2009 + A11:2010

EN 60745-2-1:2010

EN 60745-2-2:2010

EN 55014-1:2006 + A1:2009 + A2:2011

EN 55014-2:1997 + A1:2001 + A2:2008

EN 61000-3-2:2014

EN 61000-3-3:2013

EN 50581:2012



Winnenden, 2016-03-25

Alexander Krug / Managing Director

Gemachtigd voor samenstelling van de technische documenten

Techtronic Industries GmbH

Max-Eyth-Straße 10, 71364 Winnenden, Germany

NETAANSLUITING

Verplaatsbaar gereedschap moet bij het gebruik buiten aan een aardlekschakelaar (FI, RCD, PRCD) aangesloten worden.

Uitsluitend op éénfase-wisselstroom en uitsluitend op de op het typeplaatje aangegeven netspanning aansluiten. Aansluiting is ook mogelijk op een stekerdoos zonder aardcontact mogelijk, omdat het is ontworpen volgens veiligheidsklasse II.

Machine alleen uitgeschakeld aan het net aansluiten.

ONDERHOUD

Altijd de luchtspleten van de machine schoonhouden.

Bij intensief slagboorwerk de boorhouder regelmatig van stof 'bevrijden'. Hiervoor de machine met de boorhouder loodrecht naar beneden houden en de boorhouder dan over het totale spanbereik openen en sluiten. Het verzamelde stof valt zo uit de boorhouder. Regelmatige toepassing van reinigungspray (artikelnummer 4932-6217-19) op de spanbekken en spanbekkenboringen wordt aanbevolen.

Wanneer de netkabel beschadigd is, moet deze door een klantenservice worden vervangen, omdat daarvoor speciaal gereedschap vereist is.

Alleen AEG toebehoren en onderdelen gebruiken. Onderdelen welke niet vermeld worden, kunnen het beste door de AEG service-dienst verwisseld worden (zie Serviceadressen).

Onder vermelding van het nummer op het machineplaatje is desgewenst een doorsnedetekening van de machine verkrijgbaar bij: Techtronic Industries GmbH, Max-Eyth-Straße 10, 71364 Winnenden, Germany.

SYMBOLEN



OPGELET! WAARSCHUWING! GEVAAR!



Voor alle werkzaamheden aan de machine de stekker uit de kontaktdoos trekken.



Graag instructies zorgvuldig doorlezen vóórdat u de machine in gebruik neemt.



Toebehoren - Wordt niet meegeleverd. Is apart leverbaar. Zie hiervoor het toebehorenprogramma.



Elektrische apparaten mogen niet via het huisafval worden afgevoerd. Elektrische en elektronische apparaten moeten gescheiden worden verzameld en voor een milieuvriendelijke afvoer worden afgegeven bij een recyclingbedrijf. Informeer bij uw gemeente of bij uw vakhandelaar naar recyclingbedrijven en inzamelpunten.



Elektrisch gereedschap van de beschermingsklasse II. Elektrisch gereedschap waarbij de bescherming tegen elektrische schokken niet afhankelijk is van de basisisolatie, maar waarin ook extra veiligheidsmaatregelen worden toegepast zoals dubbele of versterkte isolatie.



CE-keurmerk



UkrSEPRO -symbool van overeenstemming.



EurAsian-symbool van overeenstemming.



TEKNISKE DATA Slagboremaskine	SB2E 850 R	SB2E 1100 RV
Produktionsnummer	4473 61 02... ... 000001-999999	4473 76 02... ... 000001-999999
Nominel optagen effekt	850 W	1100 W
Afgiven effekt	460 W	600 W
Omdrejningstal, ubelastet 1. gear	0-1000 min ⁻¹	0-1000 min ⁻¹
Omdrejningstal, ubelastet 2. gear	0-3000 min ⁻¹	0-3000 min ⁻¹
Omdrejningstal belastet 1. gear	0-680 min ⁻¹	0-680 min ⁻¹
Omdrejningstal belastet 2. gear	0-2000 min ⁻¹	0-2000 min ⁻¹
Slagantal belastet maks.	38000 min ⁻¹	38000 min ⁻¹
Slagantal maks.	57000 min ⁻¹	57000 min ⁻¹
Statisk blokeringsmoment	56/30 Nm	60/33 Nm
Bor-ø i beton	20 mm	22 mm
Bor-ø i tegl og kalksandsten	22 mm	24 mm
Bor-ø i stål	13 mm	16 mm
Bor-ø i træ	40 mm	40 mm
Borepatronspændevide	1,5-13 mm	1,5-13 mm
Borespindel	1/2" - 20 UNF	1/2" - 20 UNF
Halsdiameter	43 mm	43 mm
Vægt svarer til EPTA-procedure 01/2003	2,7 kg	2,9 kg
Støjinformation		
Måleværdier beregnes iht. EN 60745. Værktøjets A-vurderede støjniveau er typisk:		
Lydtrykniveau (Usikkerhed K=3dB(A))	100,0 dB (A)	94,0 dB (A)
Lydeffekt niveau (Usikkerhed K=3dB(A))	111 dB (A)	105 dB (A)
Brug høreværn!		
Vibrationsinformation		
Samlede vibrationsværdier (værdisum for tre retninger) beregnet iht. EN 60745.		
Boring i metal: Vibrationseksposering $a_{h,D}$	2,7 m/s ²	3,5 m/s ²
Usikkerhed K=	1,5 m/s ²	1,5 m/s ²
Slagboring i beton: Vibrationseksposering $a_{h,10}$	13,4 m/s ²	12,2 m/s ²
Usikkerhed K=	1,5 m/s ²	1,5 m/s ²
Skruing uden slag: Vibrationseksposering a_h	1,1 m/s ²	1,8 m/s ²
Usikkerhed K=	1,5 m/s ²	1,5 m/s ²

ADVARSEL!

Svingningsniveauet, som er angivet i disse anvisninger, er målt i henhold til standardiseret måleprocedure ifølge EN 60745 og kan anvendes til indbyrdes sammenligning mellem el-værktøjer. Svingningsniveauet er ligeledes egnet som foreløbigt skøn over svingningsbelastningen.

Det angivne svingningsniveau er baseret på el-værktøjets primære anvendelsesformål. Hvis el-værktøjet benyttes til andre formål, med andet indsatsværktøj eller ikke vedligeholdes tilstrækkeligt, kan svingningsniveauet afvige. Dette kan øge svingningsbelastningen over den samlede arbejdsperiode betydeligt.

For en nøjagtig vurdering af svingningsbelastningen skal der også tages højde for de tidsperioder, hvor apparatet er slukket, eller hvor apparatet kører, men uden at være i anvendelse. Dette kan reducere svingningsbelastningen over den samlede arbejdsperiode betydeligt. Supplerende sikkerhedsforanstaltninger til beskyttelse af brugeren mod påvirkninger fra svingninger skal iværksættes, f.eks.: Vedligeholdelse af el-værktøj og indsatsværktøj, varmholdelse af hænder, organisering af arbejdsprocesser.

⚠ ADVARSEL! Læs alle sikkerhedsanvisninger og øvrige vejledninger. I tilfælde af manglende overholdelse af advarselshenvisningerne og instrukserne er der risiko for elektrisk stød, brand og/eller alvorlige kvæstelser.

Opbevar alle advarselshenvisninger og instrukser til senere brug.

⚠ SIKKERHEDSANVISNINGER FOR ARBEJDE MED BOREMASKINER

Brug høreværn under slagboring. Støjen kan føre til nedsat hørelse.

Brug de ekstra håndtag, som følger med apparatet. Hvis kontrollen mistes, kan det medføre personskade.

Hold altid kun elværktøjet i de isolerede grebflader, når du udfører arbejde, hvor indsatsværktøjet kan ramme bøjede strømledninger eller værktøjets eget kabel. Kommer skæreværktøjet i kontakt med en strømførende ledning, kan maskinens metaldele komme under spænding og give elektrisk stød.

⚠ SIKKERHEDSANVISNINGER FOR ARBEJDE MED SKRUEMASKINER

Hold maskinen fast i de isolerede grebflader, når du udfører arbejde, hvor der er risiko for, at skruen kan ramme skjulte strømledninger eller værktøjets egen ledning. Skruens kontakt med en spændingsførende ledning kan sætte metalliske maskindele under spænding og medføre elektrisk stød.

Yderligere sikkerheds- og arbejdsinformationer

Brug beskyttelsesudstyr. Bær altid sikkerhedsbriller, når du arbejder med maskinen. Vi anbefaler desuden brug af personlig beskyttelsesudrustning, såsom støvmaske, sikkerhedshandsker, fast og skridsikkert skotøj, hjelm og høreværn.

Tilslutningskablet holdes hele tiden væk fra maskinens arbejdsområde. Kablet ledes altid bort bag om maskinen.

Der må ikke bearbejdes nogen materialer, der kan udgøre en sundhedsrisiko (f.eks. asbest).

Ved arbejdeboring i væg, loft eller gulv skal man passe på elektriske kabler, gas- og vandledninger.

Sørg for at sikre dit emne med en spændeanordning. Ikke sikrede emner kan forårsage alvorlige kvæstelser og beskadigelser.

Sluk straks for maskinen, hvis indsatsværktøjet er blokeret! Tænd ikke for maskinen igen, så længe indsatsværktøjet er blokeret; dette kan føre til et tilbageslag med højt reaktionsmoment. Find frem til og afhjælp årsagen til indsatsværktøjets blokering under hensyntagen til sikkerhedsinstruktionerne.

Mulige årsager herfor kunne være:

- at det sidder i klemme i emnet der bearbejdes
- Gennembrud af det materiale, som skal bearbejdes
- at el-værktøjet er overbelastet

Grib ikke ind i maskinen, når den kører.

Indsatsværktøjet kan blive varmt under brugen.

ADVARSEL! Fare for forbrændinger

- ved værktøjsskift
- når man lægger maskinen fra sig

Spåner eller splinter må ikke fjernes, medens maskinen kører.

Før ethvert arbejde ved maskinen skal stikket tages ud af stikdåsen.

TILTÆNKTE FORMÅL

Elektronisk slagbore-/skruemaskine kan bruges universelt til boring, slagboring, skruring og gevindskruring.

CE-KONFORMITETSERKLÆRING

Vi erklærer som eneansvarlige, at produktet, som beskrives under „Tekniske data“, opfylder alle de relevante bestemmelser i direktiverne:

2011/65/EU (RoHS)

2014/30/EU

2006/42/EF

og følgende harmoniserede standarder er blevet anvendt.

EN 60745-1:2009 + A11:2010

EN 60745-2-1:2010

EN 60745-2-2:2010

EN 55014-1:2006 + A1:2009 + A2:2011

EN 55014-2:1997 + A1:2001 + A2:2008

EN 61000-3-2:2014

EN 61000-3-3:2013

EN 50581:2012



Winnenden, 2016-03-25

Alexander Krug / Managing Director

Autoriseret til at udarbejde de tekniske dokumenter.

Techtronic Industries GmbH

Max-Eyth-Straße 10, 71364 Winnenden, Germany

NETTILSLUTNING

Stikdåser udenørs skal være forsynet med fejlstrømsikrings-kontakter (FI, RCD, PRCD). Det forlanger installationsforskriften for Deres elektroanlæg. Overhold dette, når De bruger vores maskiner.

Tilslutning må kun foretages til enfasnet vekselstrøm og kun til en netspænding, som er i overensstemmelse med angivelsen på mærkepladen. Tilslutning kan også ske til stikdåser uden beskyttelseskontakt, da kapslingsklasse II foreligger.

Maskinen sluttes kun udkoblet til stikdåsen.

VEDLIGEHOLDELSE

Hold altid maskinens ventilationsåbninger rene.

Ved hyppig slagboredrift bør borepatronen renses regelmæssigt for støv. Dette gøres ved at borepatronen på maskinen holdes lodret nedad og åbne og lukke borepatronen i hele spændområdet. På denne måde falder støvet ud af borepatronen. Det anbefales at benytte rengøringspray jævnligt (id.nr. 4932 6217 19) ved spændekæberne og spændekæbeholderne.

Hvis netttilslutningsledningen bliver beskadiget, skal den udskiftes hos kompetent kundeservice, idet dette kræver specielt værktøj.

Brug kun AEG tilbehør og reservedele. Lad de komponenter, hvis udskiftning ikke er blevet beskrevet, udskifte hos Atlas Copco service (se kundeserviceadresser).



Ved opgivelse af type nr. der er angivet på maskinens effektskilt, kan de rekvirere en reservedelstegning, ved henvendelse til: Techtronic Industries GmbH, Max-Eyth-Straße 10, 71364 Winnenden, Germany.

SYMBOLER



VIGTIGT! ADVARSEL! FARE!



Før ethvert arbejde ved maskinen skal stikket tages ud af stikdåsen.



Læs brugsanvisningen nøje før ibrugtagning.



Tilbehør - Ikke inkluderet i leveringsomfanget, køb som tilbehør.



Elektrisk udstyr må ikke bortskaffes sammen med det almindelige husholdningsaffald. Elektrisk og elektronisk udstyr skal indsamles særskilt og afleveres hos en genbrugsvirksomhed til en miljømæssig forsvarlig bortskaffelse. Spørg de lokale myndigheder eller din forhandler om genbrugsstationer og indsamlingssteder til sådant affald.



Kapslingsklasse II elværktøj. Elværktøj, hvor beskyttelsen mod et elektrisk stød ikke kun afhænger af basisisoleringen men også af, at der anvendes yderligere beskyttelsesforanstaltninger som dobbelt isolering eller forstærket isolering.



CE-mærke



UkrSEPRO overensstemmelsesmærke.



EurAsian overensstemmelsesmærke.

TEKNISKE DATA Slagbormaskin	SB2E 850 R	SB2E 1100 RV
Produksjonsnummer	4473 61 02... ... 000001-999999	4473 76 02... ... 000001-999999
Nominell inngangseffekt	850 W	1100 W
Avgitt effekt	460 W	600 W
Tomgangsturtall 1. gir	0-1000 min ⁻¹	0-1000 min ⁻¹
Tomgangsturtall 2. gir	0-3000 min ⁻¹	0-3000 min ⁻¹
Lastturtall 1. gir	0-680 min ⁻¹	0-680 min ⁻¹
Lastturtall 2. gir	0-2000 min ⁻¹	0-2000 min ⁻¹
Lastslag tall maks.	38000 min ⁻¹	38000 min ⁻¹
Slag tall maks.	57000 min ⁻¹	57000 min ⁻¹
Statisk blokkeringsmoment	56/30 Nm	60/33 Nm
Bor-ø i betong	20 mm	22 mm
Bor-ø i tegl og kalksandstein	22 mm	24 mm
Bor-ø i stål	13 mm	16 mm
Bor-ø i treverk	40 mm	40 mm
Chucks pennområde	1,5-13 mm	1,5-13 mm
Borspindel	1/2" - 20 UNF	1/2" - 20 UNF
Spennhals-ø	43 mm	43 mm
Vekt i henhold til EPTA-Prosedyren 01/2003	2,7 kg	2,9 kg
Støyinformasjon		
Måleverdier fastslått i samsvar med EN 60745. Det typiske A-bedomte støynivået for maskinen er:		
Lydtrykknivå (Usikkerhet K=3dB(A))	100,0 dB (A)	94,0 dB (A)
Lydeffektnivå (Usikkerhet K=3dB(A))	111 dB (A)	105 dB (A)
Bruk hørselsvern!		
Vibrasjonsinformasjoner		
Totale svingningsverdier (vektorsum fra tre retninger) beregnet jf. EN 60745.		
Boring i metall: Svingningsemisjonsverdi a _{h,d}	2,7 m/s ²	3,5 m/s ²
Usikkerhet K=	1,5 m/s ²	1,5 m/s ²
Slagboring i betong: Svingningsemisjonsverdi a _{h,10}	13,4 m/s ²	12,2 m/s ²
Usikkerhet K=	1,5 m/s ²	1,5 m/s ²
Skruing uten slag: Svingningsemisjonsverdi a _h	1,1 m/s ²	1,8 m/s ²
Usikkerhet K=	1,5 m/s ²	1,5 m/s ²

ADVARSEL!

Svingningsnivået som er angitt i denne instruksjonen er målt i overensstemmelse med målemetoden normert i direktiv EN 60745 og kan brukes til å sammenligne elektromaskiner med hverandre. Den egner seg også for en foreløbig vurdering av svingningsbelastningen. Det angitte svingningsnivået representerer de hovedsaklige bruk av elektroverktøyet. Men anvendes elektroverktøyet for andre bruk med avvikende utskiftbare verktøy eller vedlikeholdet er utilstrekkelig, kan svingningsnivået være avvikende.

Dette kan forhøye svingningsbelastning betydelig over hele arbeidsperioden. For en nøyaktig vurdering av svingningsbelastningen må også det tas hensyn til tiden apparatet er avslått eller står på, men ikke er i bruk. Dette kan redusere svingningsbelastningen betydelig over hele arbeidsperioden.

Innfor også ekstra sikkerhetstiltak for å beskytte bruker mot utvirkingen av svingningene. Disse kan f.eks. være: vedlikehold av elektroverktøyet og det utskiftbare verktøyet, holde hendene varme, organisasjon av arbeidsforløpet.



⚠ ADVARSEL! Les alle sikkerhetsinstruksjoner og bruksanvisninger. Feil ved overholdelsen av advarene og nedestående anvisninger kan medføre elektriske støt, brann og/eller alvorlige skader.

Ta godt vare på alle advarene og informasjonene.

⚠ SIKKERHETSINSTRUKSJONER FOR BOREMASKINER

Bruk hørselsvern ved bruk av slagboret. Støy kan føre til tap av hørselen.

Bruk de med apparatet medleverte tileggshandtak. Tap av kontrollen kan føre til skader.

Ta kun tak i elektroverktøyet på de isolerte gripeflatene, hvis du utfører arbeid der innsatsverktøyet kan treffe på skjulte strømledninger eller den egne strømledningen.

Kontakt med en ledning som er under spenning, kan også sette metalleder til apparatet under spenning og føre til et elektrisk slag.

⚠ SIKKERHETSINSTRUKSJONER FOR SKRUTREKKERE

Hold apparatet i de isolerte holdeflatene, når arbeid utføres hvor skruen kan treffe skjulte strømledninger eller verktøyet egen kabel. Kontakt av skruen med en strømførende ledning kan sette apparatets metalleder under spenning og føre til elektrisk slag.

Ytterlige sikkerhets- og arbeidsinstruksjoner

Bruk vernebekledning. Ta alltid på vernebrille ved bruk av maskinen. Vernebekledning så vel som støvmaske, vernehansker, fast og sklisikkert skotøy, hjem og hørselsvern er anbefalt.

Hold ledningen alltid vekk fra maskinens virkeområde. Før ledningen alltid bakover fra maskinen.

Materialer som er helsefarlig skal ikke bearbeides (f.eks.. asbest) Pass på kabler, gass- og vannledninger når du arbeider i vegger, tak eller gulv.

Klem fast arbeidsemnet med en spenninnetning. Ikke sikre arbeidsemner kan ha alvorlige helseskader og skader av material til følge.

Slå av apparatet med en gang dersom det isatte verktøyet er blokkert! Ikke slå apparatet på igjen så lenge det isatte verktøyet er blokkert; her kan det oppstå et tilbakeslag med høyt reaksjonsmoment. Finn ut hvorfor det isatte verktøyet blokkerer og fjern årsaken til dette. Ta herved hensyn til sikkerhets instruksene.

Mulige årsaker kan være:

- det har forkantet seg i arbeidsemnet som bearbeides
- Gjennombrytning av materialet som bearbeides
- elektroverktøyet er overbelastet

Ikke grip inn i maskinen når den står på og går.

Isatt verktøy kan i bruk bli veldig varmt.

ADVARSEL! Fare for forbrenning

- ved skifting av verktøy
- når apparatet legges ned

Spon eller fliser må ikke fjernes mens maskinen er i gang.

Trekk støpslet ut av stikkkontakten før du begynner arbeider på maskinen.

FORMÅLSMESSIG BRUK

Elektronikk-slagbormaskin/skrutrekker kan brukes universelt til boring, slagboring, skruing og gjengeskjæring.

CE-SAMSVARERKLÆRING

Vi erklærer i alene ansvar at produktet beskrevet i „Teknisk data“ overensstemmer med alle relevante forskrifter til Eu direktiv:

2011/65/EU (RoHS)

2014/30/EU

2006/42/EC

og de følgende harmoniserte normative dokumentene. fyrstikker

EN 60745-1:2009 + A11:2010

EN 60745-2-1:2010

EN 60745-2-2:2010

EN 55014-1:2006 + A1:2009 + A2:2011

EN 55014-2:1997 + A1:2001 + A2:2008

EN 61000-3-2:2014

EN 61000-3-3:2013

EN 50581:2012



Winnenden, 2016-03-25

Alexander Krug / Managing Director

Autorisert til å utarbeide den tekniske dokumentasjonen

Techtronic Industries GmbH

Max-Eyth-Straße 10, 71364 Winnenden, Germany

NETTILKOPLING

Stikkontakter utendørs må være utstyrt med feilstrøm-sikkerhetsbryter (FI, RCD, PRCD). Dette forlanges av installasjonsforskriften for elektroanlegg. Vennligst følg dette når du bruker vårt apparat.

Skal bare tilsluttes enfasevekselstrøm og bare til den på skiltet angitte nettspenning. Tilslutning til stikkontakter uten jordet kontakt er mulig fordi beskyttelse beskyttelsesklasse II er forhanden.

Maskinen må være slått av når den koples til stikkkontakten.

VEDLIKEHOLD

Hold alltid luftpåpningene på maskinen rene.

Ved hyppig slagboredrift bør chucken befris regelmessig for støv. Hold da maskinen med chucken loddrett nedover og åpne og lukk chucken over hele spennvidden. Det oppsamlede støvet faller da ut av chucken. Regelmessig bruk av rengjøringspray (Id.nr. 4932 6217 19) på spennkjevene og spennkjevehullene anbefales.

Er det skade på nettkabelen, må den skiftes av kundeservice, fordi det behøves spesialverktøy.

Bruk kun AEG tilbehør og reservedeler. Komponenter der utskifting ikke er beskrevet skal skiftes ut hos AEG kundeservice (se brosjyre garanti/kundeserviceadresser).

Ved behov kan du be om en eksplosjonstegning av apparatet hos din kundeservice eller direkte hos Techtronic Industries GmbH, Max-Eyth-Straße 10, 71364 Winnenden, Germany. Oppgi maskintype og det nummeret på typeskiltet.

SYMBOLER



OBS! ADVARSEL! FARE!



Trekk støpslet ut av stikkontakten før du begynner arbeider på maskinen.



Les nøye gjennom bruksanvisningen før maskinen tas i bruk.



Tilbehør - inngår ikke i leveransen, anbefalt komplettering fra tilbehørsprogrammet.



Elektriske apparat skal ikke kastes sammen med vanlig husholdningsavfall. Elektriske og elektroniske apparat skal samles separat og leveres til miljøvennlig deponering til en avfall bedrift. Informer deg hos myndighetene på stedet eller hos din fagforhandler hvor det finnes recycling bedrifter oppsamlingssteder.



Elektroverktøy av verneklasse II. Elektroverktøy hvor beskyttelse mot elektrisk slag ikke bare er avhengig av basisisoleringen, men som også er avhengig av at tilleggs vernetiltak som dobbelt eller forsterket isolering blir brukt.



CE-tegn



UkrSEPRO Konformitetstegn.



EurAsian Konformitetstegn.



TEKNISKA DATA Slagborrmaskin	SB2E 850 R	SB2E 1100 RV
Produktionsnummer	4473 61 02... ... 000001-999999	4473 76 02... ... 000001-999999
Nominell upptagen effekt	850 W	1100 W
Uteffekt	460 W	600 W
Tomgångsvarvtal, obelastad 1:a växel	0-1000 min ⁻¹	0-1000 min ⁻¹
Tomgångsvarvtal, obelastad 2:a växel	0-3000 min ⁻¹	0-3000 min ⁻¹
Belastat varvtal 1:a växel	0-680 min ⁻¹	0-680 min ⁻¹
Belastat varvtal 2:a växel	0-2000 min ⁻¹	0-2000 min ⁻¹
Belastat slagtal max.	38000 min ⁻¹	38000 min ⁻¹
Slagtal max.	57000 min ⁻¹	57000 min ⁻¹
Statiskt blockeringsmoment	56/30 Nm	60/33 Nm
Borrdiam. in betong	20 mm	22 mm
Borrdiam. tegel, kalksten	22 mm	24 mm
Borrdiam. in stål	13 mm	16 mm
Borrdiam. in trä	40 mm	40 mm
Chuckens spännområde	1,5-13 mm	1,5-13 mm
Borrspindel	1/2" - 20 UNF	1/2" - 20 UNF
Maskinhals diam.	43 mm	43 mm
Vikt enligt EPTA 01/2003	2,7 kg	2,9 kg
Bullerinformation Mätvärdena har tagits fram baserade på EN 60745. A-värdet av maskinens ljudnivå utgör:		
Ljudtrycksnivå (Onoggrannhet K=3dB(A))	100,0 dB (A)	94,0 dB (A)
Ljudeffektsnivå (Onoggrannhet K=3dB(A))	111 dB (A)	105 dB (A)
Använd hörselskydd!		
Vibrationsinformation Totala vibrationsvärden (vektorsumma ur tre riktningar) framtaget enligt EN 60745.		
Borrning i metall: Vibrationsemissionsvärde a _{h,D} Onoggrannhet K=	2,7 m/s ² 1,5 m/s ²	3,5 m/s ² 1,5 m/s ²
Slagborrning i betong: Vibrationsemissionsvärde a _{h,ID} Onoggrannhet K=	13,4 m/s ² 1,5 m/s ²	12,2 m/s ² 1,5 m/s ²
Skruvning utan slag: Vibrationsemissionsvärde a _n Onoggrannhet K=	1,1 m/s ² 1,5 m/s ²	1,8 m/s ² 1,5 m/s ²

WARNING!

Den i de här anvisningarna angivna vibrationsnivån har uppmätts enligt ett i EN 60745 normerat mätförfarande och kan användas vid jämförelse mellan olika elverktyg. Nivån är även lämplig att använda vid en preliminär bedömning av vibrationsbelastningen.

Den angivna vibrationsnivån representerar den huvudsakliga användningen av det aktuella elverktyget. Men om elverktyget ska användas i andra användningsområden, tillsammans med avvikande insatsverktyg eller efter otillräckligt underhåll, kan vibrationsnivån skilja sig. Det kan öka vibrationsbelastningen betydligt under hela arbetstiden.

För att få en exaktare bedömning av vibrationsbelastningen ska även den tid beaktas, under vilken elverktyget är avstängt eller är påslaget, utan att det verkligen används. Det kan reducera vibrationsbelastningen betydligt under hela arbetstiden.

Lägg som skydd för användaren fast extra säkerhetsåtgärder mot vibrationernas verkan, som till exempel: underhåll av elverktyg och insatsverktyg, varmhållning av händer och organisering av arbetsförlopp.

⚠️ VARNING! Läs alla säkerhetsanvisningar och andra tillhörande anvisningar. Fel som uppstår till följd av att anvisningarna nedan inte följts kan orsaka elstöt, brand och/eller allvarliga kroppsskador.

Förvara alla varningar och anvisningar för framtida bruk.

⚠️ SÄKERHETSINSTRUKTIONER FÖR BORRMASKINER

Använd alltid hörselskydd när du använder en slagborrmaskin. Buller kan leda till att du förlorar hörseln.

Använd de extrahandtag som levereras tillsammans med maskinen. Förlust av kontrollen kan leda till personskador.

Håll fast elverktyget endast vid de isolerade handtagen när arbeten utförs på ställen där insatsverktyget kan skada dolda elledningar eller egen nätsladd. Om man kommer i kontakt med en spänningsförande ledning, så kan även de delar på verktyget som är av metall bli spänningsförande och leda till att man får en elektrisk stöt.

⚠️ SÄKERHETSINSTRUKTIONER FÖR SKRUVARE

Håll fast apparaten med hjälp av de isolerade greppytorna när du utför arbeten där skruven skulle kunna träffa på dolda elledningar eller kablar. Skruvens kontakt med en strömförande ledning kan sätta apparatdelar av metall under spänning och leda till elektrisk stöt.

Övriga säkerhets- och användningsinstruktioner

Använd skyddsutrustning. Använd alltid skyddsglasögon när du använder maskinen. Som skyddsutrustning rekommenderar vi t.ex. en dammskyddsmask, skyddshandskar, stabila och halksäkra skor, hjälm och hörselskydd.

Nätkablen skall alltid hållas ifrån arbetsområdet. Lägg kabeln bakåt i förhållande till arbetsriktningen.

Det är inte tillåtet att bearbeta material som kan vara hälsovadligt (t.ex. asbest).

Vid arbetenborrning i vägg, tak eller golv, var alltid observant på befintliga el-, gas- eller vattenledningar.

Säkra arbetsstycket med en fastspänningsanordning. Arbetsstycken som inte är ordentligt fastspända kan leda till allvarlig kroppsskada eller annan skada.

Stäng av maskinen omedelbart om ett verktyg som används sitter fast! Sätt sedan inte på maskinen igen så länge som verktyget som används fortfarande sitter fast; risk för okontrollerade slag med högt reaktionsmoment. Ta reda på orsaken varför verktyget fastnade och åtgärda orsaken med hänsyn till säkerhetsanvisningarna.

Möjliga orsaker kann vara:

- Verktyget sitter snett i arbetsstycket
- Materialet som ska bearbetas har gått sönder
- Elverktyget är överbelastat

Gå aldrig med händerna in i en maskin som är igång.

Verktyget som används kan bli mycket varmt under användningen. **VARNING!** Risk för brännskador

- vid verktygsbyte
- när man lägger ifrån sig maskinen

Avlägsna aldrig spån eller flisor när maskinen är igång.

Drag alltid ur kontakten när du utför arbeten på maskinen.

ANVÄND MASKINEN ENLIGT ANVISNINGARNA

Den elektroniska slagborrmaskinen kan användas för borrning, slagborrning, skruvning och gängskärning.

CE-FÖRSÄKRAN

Vi tar på vårt ansvar att produkten som har beskrivits under Tekniska data uppfyller alla relevanta villkor i direktiven:

2011/65/EU (RoHS)

2014/30/EU

2006/42/EG

samt att följande harmoniserade standarder har använts.

EN 60745-1:2009 + A11:2010

EN 60745-2-1:2010

EN 60745-2-2:2010

EN 55014-1:2006 + A1:2009 + A2:2011

EN 55014-2:1997 + A1:2001 + A2:2008

EN 61000-3-2:2014

EN 61000-3-3:2013

EN 50581:2012



Winnenden, 2016-03-25

Alexander Krug / Managing Director

Befullmäktigad att sammanställa teknisk dokumentation.

Techtronic Industries GmbH

Max-Eyth-Straße 10, 71364 Winnenden, Germany

NÄTANSLUTNING

Anslut alltid verktyget till via en felströmbrytare (FI, RCD, PRCD) vid användning utomhus.

Får endast anslutas till 1-fas växelström och till den spänning som anges på dataskylden. Anslutning kan även ske till eluttag utan skyddskontakt, eftersom konstruktionen motsvarar skyddsklass II. Maskinen skall vara fränkopplad innan den anslutes till väggurtag.

SKÖTSEL

Se till att motorhöljets luftslitsar är rena.

Vid frekvent slagborrande skall chucken göras ren från damm regelbundet. Då håller man maskinen lodrätt dedat och öppnar och stänger chucken helt. Det ansamlade dammet faller ur. Regelbunden användning av rengöringspray (Art.nr. 4932 6217 19) rekommenderas.

Om nätkabeln är skadad, måste den bytas ut på en godkänd serviceverkstad, då det krävs specialverktyg för detta.

Använd endast AEG tillbehör och reservdelar. Reservdelar vars utbyte ej beskrivs byts bäst av AEG auktoriserad serviceverkstad (se broschyr Garanti/Kundtjänstadresser).

Vid behov av sprängskiss, kan en sådan, genom att uppge maskinens art. nr. (som finns på typskylten) erhållas från: Techtronic Industries GmbH, Max-Eyth-Straße 10, 71364 Winnenden, Germany.



SYMBOLER



OBSERVERA! VARNING! FARA!



Drag alltid ur kontakten när du utför arbeten på maskinen.



Läs instruktionen noga innan du startar maskinen.



Tillbehör - Ingår ej i leveransomfånget, erhålles som tillbehör.



Elektriska maskiner och elverktyg som kasseras får inte slängas tillsammans med de vanliga hushållssoporna. Elektriska maskiner och verktyg samt elektronisk utrustning som kasseras ska samlas separat och lämnas till en avfallsstation för miljövänlig avfallshantering. Kontakta den lokala myndigheten respektive kommunen eller fråga återförsäljare var det finns speciella avfallsstationer för elskrot.



Elverktyg skyddsklass II. Elverktyg hos vilket skyddet mot elstötar inte bara är avhängigt av basisoleringen utan också av att det finns extra skyddsåtgärder, som en dubbel isolering eller en förstärkt isolering.



CE-symbol



UkrSEPRO överensstämmelsesymbol.

TR 066



EurAsian överensstämmelsesymbol.



TEKNISET ARVOT Iskuporakone	SB2E 850 R	SB2E 1100 RV
Tuotantomerkki	4473 61 02... ... 000001-999999	4473 76 02... ... 000001-999999
Nimellinen teho	850 W	1100 W
Antoteho	460 W	600 W
Kuormittamaton kierros-luku 1. vaihe	0-1000 min ⁻¹	0-1000 min ⁻¹
Kuormittamaton kierros-luku 2. vaihe	0-3000 min ⁻¹	0-3000 min ⁻¹
Kuormitettu kierros-luku 1. vaihe	0-680 min ⁻¹	0-680 min ⁻¹
Kuormitettu kierros-luku 2. vaihe	0-2000 min ⁻¹	0-2000 min ⁻¹
Kuormitettu iskutaajuus maks.	38000 min ⁻¹	38000 min ⁻¹
Iskutaajuus maks.	57000 min ⁻¹	57000 min ⁻¹
Staatinnainen pysäytysmomentti	56/30 Nm	60/33 Nm
Poran ø betoniin	20 mm	22 mm
Poran ø tiiliin ja kalkkihiikkakiviin	22 mm	24 mm
Poran ø teräkseen	13 mm	16 mm
Poran ø puuhun	40 mm	40 mm
Istukan aukeama	1,5-13 mm	1,5-13 mm
Porakara	1/2" - 20 UNF	1/2" - 20 UNF
Kiinnityskaulan ø	43 mm	43 mm
Paino EPTA-menetelystä 01/2003 mukaan	2,7 kg	2,9 kg
Melunpäästö tiedot		
Mitta-arvot määritetty EN 60745 mukaan. Koneen tyyppillinen A-luokitettu melutaso:		
Melutaso (Epävarmuus K=3dB(A))	100,0 dB (A)	94,0 dB (A)
Äänenvoimakkuus (Epävarmuus K=3dB(A))	111 dB (A)	105 dB (A)
Käytä kuulosuojaimia!		
Tärinätiedot		
Värähtelyn yhteisarvot (kolmen suunnan vektorisummitattuna EN 60745 mukaan).		
Metallin poraaminen: Värähtelyemissioarvo a _{h,D}	2,7 m/s ²	3,5 m/s ²
Epävarmuus K=	1,5 m/s ²	1,5 m/s ²
Betonin iskuporaaminen: Värähtelyemissioarvo a _{h,10}	13,4 m/s ²	12,2 m/s ²
Epävarmuus K=	1,5 m/s ²	1,5 m/s ²
Ruuvinvääntö ilman iskua: Värähtelyemissioarvo a _h	1,1 m/s ²	1,8 m/s ²
Epävarmuus K=	1,5 m/s ²	1,5 m/s ²



VAROITUS!

Näissä ohjeissa mainittu värähtelytaso on mitattu EN 60745 -standardin mukaisella mittausmenetelmällä ja sitä voidaan käyttää sähkötyökalujen vertaamiseen. Sitä voidaan käyttää myös värähtelyrasituksen väliaikaiseen arviointiin.

Mainittu värähtelytaso edustaa sähkötyökalun pääasiallista käyttöä. Jos sähkötyökalua kuitenkin käytetään muihin tehtäviin, poikkeavien työkalujen tai riittämättömästi huoltaen, värähtelytaso voi olla erilainen. Se voi korottaa värähtelyrasitusta koko työajan osalta.

Tarkan värähtelyrasituksen toteamiseen tulee ottaa huomioon aika, jona laite on kytketty pois tai on kylläkin päällä, mutta ei käytössä. Se voi pienentää värähtelyrasitusta koko työajan osalta.

Määrittele lisäturvatoimenpiteitä käyttäjän suojaamiseksi värinöiden vaikutukselta, kuten esimerkiksi: sähkötyökalujen ja käyttötyökalujen huolto, käsien lämpimän pitäminen, työvälineiden organisaatio.

VAROITUS! Lue kaikki, myös annetut turvallisuusmääräykset ja käyttöohjeet. Turvallisuusohjeiden noudattamisen laiminlyönti saattaa johtaa sähköiskun, tulipalon ja/tai vakavaan loukkaantumiseen.

Säilytä kaikki turvallisuus- ja muut ohjeet tulevaisuutta varten.

PARAKONEIDEN TURVALLISUUSOHJEET

Käytä kuulonsuojaimia iskuorattaessa. Melulle altistuminen voi heikentää kuuloa.

Käytä koneen mukana toimitettua apukahvaa. Koneen hallinnan menetys saattaa aiheuttaa henkivahinkoja.

Tartu sähkötyökaluun ainoastaan eristetyistä pinnoista, tehdessäsi työtä, jossa saattaisit osua piilossa olevaan sähköjohtoon tai sahan omaan sähköjohtoon. Leikkaustyökalun yhteys jännitteelliseen johtoon saattaa tehdä laitteen metalliset osat jännitteellisiksi ja aiheuttaa sähköiskun.

RUUVAAJAN TURVALLISUUSOHJEET

Pitele laitteesta kiinni sen eristetyistä kahvoista suorittaessasi töitä, joiden aikana ruuvi saattaa osua piilossa oleviin sähköjohtoihin tai omaan liitäntäjohtoon. Ruuvin kosketus jännitteelliseen johtoon saattaa tehdä laitteen metalliosat jännitteellisiksi ja aiheuttaa sähköiskun.

Täydentäviä turvallisuusmääräyksiä ja työskentelyohjeita

Käytä suojavarusteita. Käytä aina suojalaseja käyttäessäsi konetta. Suosittelemme suojavarusteiden käyttöä, näihin kuuluvat pölysuojanaamari, työkasineet, tukevat, luistamattomat jalkineet, kypärä ja kuulosuojukset.

Pidä sähköjohto poissa koneen käyttöalueelta. Siirrä se aina taaksesi.

Terveydellisiä vaaroja aiheuttavien materiaalien (esim. asbestin) työstäminen on kielletty.

Varo seinään, kattoon tai lattiaan porattaessa osumasta sähköjohtoon, kaasu- ja vesijohtoihin.

Varmista työstökappaleesi kiinnityslaitteella paikalleen. Varmista ammatot työstökappaleet saattavat aiheuttaa vakavia vammoja ja vaurioita.

Jos käytetty työkalu juuttuu kiinni, sammuta laite heti! Älä nytke laitetta uudelleen päälle työkalun ollessa vielä kiinni juuttuneena, koska tästä saattaa aiheutua voimakas takaisku. Selvitä työkalun juuttumisen syy ja poista syy turvallisuusmääräyksiä noudattaen.

Mahdollisia syitä saattavat olla:

- työkalun vinoutuminen työstökappaleessa
- Työstettävän materiaalin läpimeno
- sähkötyökalun ylikuormitus

Älä tartu käynnissä olevan koneen työosiin.

Käytetty työkalu saattaa kuumeta käytön aikana.

VAROITUS! Palovamman vaara

- työkalua vaihdettaessa
- laitetta pois laskettaessa

Lastuja tai puruja ei saa poistaa koneen käydessä.

Irrota aina pistotulppa seinäkoskettimesta ennen koneeseen tehtäviä toimempiteitä.

TARKOITUKSEN MUKAINEN KÄYTTÖ

Elektronista iskuporaa/ruuvinväännintä voidaan käyttää poraukseen, iskuporaukseen, ruuvinvääntöön ja kierteytykseen.

TODISTUS CE-STANDARDIN MUKAISUUDESTA

Vakuutamme täten olevamme yksin vastuussa siitä, että kohdassa "Tekniset tiedot" kuvattu tuote vastaa kaikkia direktiivien merkittävimmiksi säädöksiä:

2011/65/EU (RoHS)

2014/30/EU

2006/42/EY

ja seuraavia yhdenmukaistettuja standardeja ja käytetty.

EN 60745-1:2009 + A11:2010

EN 60745-2-1:2010

EN 60745-2-2:2010

EN 55014-1:2006 + A1:2009 + A2:2011

EN 55014-2:1997 + A1:2001 + A2:2008

EN 61000-3-3:2014

EN 61000-3-3:2013

EN 50581:2012



Winnenden, 2016-03-25

Alexander Krug / Managing Director

Valtuutettu kokoamaan tekniset dokumentit.

Techtronic Industries GmbH

Max-Eyth-Straße 10, 71364 Winnenden, Germany

VERKKOLIITÄNTÄ

Ulkokäytössä olevat pistorasiat on varustettava vikavirta-suojakytkimillä (FI, RCD PRCD) sähkölaitteistosi asennusmääräyksen mukaisesti. Muista tarkistaa, että laite liitetään ulkokäytössä ulkopistorasiaan ja neuvottele asiasta sähköasentajasi kanssa.

Yhdistä ainoastaan yksivaiheisen vaihtovirtaan, jonka verkkojännite on sama kuin tyyppikilvessä ilmoitettu. Myös liittäminen maadoittamattomiin pistorasioihin on mahdollista, sillä rakenne vastaa turvallisuusluokkaa II.

Varmista, että kone on sammutettu ennen kytkemistä sähköverkkoon.

HUOLTO

Pidä moottorin ilmanottoaukot puhtaina.

Enimmäkseen iskuporauksessa käytetyn porakoneen istukka on puhdistettava säännöllisesti. Pölyn poistamiseksi istukasta, kone pidetään pystyasennossa, istukka alaspäin suunnattuna ja istukka avataan ja suljetaan kokonaan useita kertoja. Näin istukkaan kerääntynyt pöly irtoaa ja putoaa alas. On suositeltavaa, että kiristysleuat porauksineen puhdistetaan säännöllisesti puhdistusaineella (osanumero 4932 6217 19).

Jos verkkoliitäntäjohto on vioittunut, niin huoltopalvelun täytyy vaihtaa se uuteen, koska vain heillä on tähän tarvittavat erikoistyökalut.

Käytä vain AEG:n lisälaitteita ja varaosia. Käytä ammattitaitoisten AEG-huoltosopimusliikkeiden palveluja muiden kuin käyttööheijäsa kuvattujen osien vaihdossa. (esite takuu/huoltoliikeluettelo).

Tarpeen vaatiessa voit pyytää lähettämään laitteen kokoonpanopiirustuksen ilmoittamalla arvokilven numeron seuraavasta osoitteesta: Techtronic Industries GmbH, Max-Eyth-Straße 10, 71364 Winnenden, Germany.

SYMBOLIT



HUOMIO! VAROITUS! VAARA!



Irrota aina pistotulppa seinäkoskettimesta ennen koneeseen tehtäviä toimenpiteitä.



Lue käyttöohjeet huolellisesti, ennen koneen käynnistämistä.



Lisälaitte - Ei sisälly vakiovarustukseen, saatavana lisätarvikkeena.



Sähkölaitteita ei saa hävittää yhdessä kotitalousjätteiden kanssa. Sähkö- ja elektroniset laitteet tulee kerätä erikseen ja toimittaa kierrätysliikkeeseen ympäristöystävällistä hävittämistä varten. Pyydä paikallisilta viranomaisilta tai alan kauppiailtasi tarkemmat tiedot kierrätyspisteistä ja keräyspaikoista.



Suojaluokan II sähkötyökalu. Sähkötyökalu, jonka sähkökunsuojaus ei ole riippuvainen ainoastaan peruseristyksestä, vaan myös siitä, että käytetään lisäeristävöitä, kuten kaksinkertaista eristystä tai vahvistettua eristystä.



CE-merkki



UkrSEPRO -vaatimustenmukaisuusmerkki.

TR 066



EurAsian-vaatimustenmukaisuusmerkki.



ΤΕΧΝΙΚΑ ΣΤΟΙΧΕΙΑ ΚΡΟΥΣΤΙΚΟ ΔΡΑΠΑΝΟ	SB2E 850 R	SB2E 1100 RV
Αριθμός παραγωγής	4473 61 02... ... 000001-999999	4473 76 02... ... 000001-999999
Όνομαστική ισχύς	850 W	1100 W
Αποδιδόμενη ισχύς	460 W	600 W
Αριθμός στροφών χωρίς φορτίο 1η ταχύτητα	0-1000 min ⁻¹	0-1000 min ⁻¹
Αριθμός στροφών χωρίς φορτίο 2η ταχύτητα	0-3000 min ⁻¹	0-3000 min ⁻¹
Αριθμός στροφών με φορτίο 1η ταχύτητα	0-680 min ⁻¹	0-680 min ⁻¹
Αριθμός στροφών με φορτίο 2η ταχύτητα	0-2000 min ⁻¹	0-2000 min ⁻¹
Μέγιστος αριθμός κρούσεων με φορτίο Μέγ.	38000 min ⁻¹	38000 min ⁻¹
Μέγιστος αριθμός κρούσεων Μέγ.	57000 min ⁻¹	57000 min ⁻¹
Στατική ροπή εμπλοκής	56/30 Nm	60/33 Nm
Διάμετρος τρύπας σε σκυρόδεμα (μπετόν)	20 mm	22 mm
Διάμετρος τρύπας σε τούβλο και ασβεστόλιθο	22 mm	24 mm
Διάμετρος τρύπας σε χάλυβα	13 mm	16 mm
Διάμετρος τρύπας σε ξύλο	40 mm	40 mm
Περιοχή σύσφιξης του τσοκ	1,5-13 mm	1,5-13 mm
Άτρακτος δράπανου	1/2" - 20 UNF	1/2" - 20 UNF
Διάμετρος λαϊμού σύσφιξης	43 mm	43 mm
Βάρος σύμφωνα με τη διαδικασία EPTA 01/2003	2,7 kg	2,9 kg
Πληροφορίες θορύβου		
Τιμές μέτρησης εξακριβωμένες κατά EN 60745. Η σύμφωνη με την καμπύλη A εκτιμηθείσα στάθμη θορύβου του μηχανήματος αναφέρεται σε:		
Στάθμη ηχητικής πίεσης (Ανασφάλεια K=3dB(A))	100,0 dB (A)	94,0 dB (A)
Στάθμη ηχητικής ισχύος (Ανασφάλεια K=3dB(A))	111 dB (A)	105 dB (A)
Φοράτε προστασία ακοής (ωτασπίδες)!		
Πληροφορίες δονήσεων		
Υλικές τιμές κραδασμών (άθροισμα διανυσμάτων τριών διευθύνσεων) εξακριβώθηκαν σύμφωνα με τα πρότυπα EN 60745.		
Τρύπες σε μέταλλο: Τιμή εκπομπής δονήσεων a _{h,D}	2,7 m/s ²	3,5 m/s ²
Ανασφάλεια K=	1,5 m/s ²	1,5 m/s ²
Κρουστικό τρυπάνι σε μπετόν: Τιμή εκπομπής δονήσεων a _{h,10}	13,4 m/s ²	12,2 m/s ²
Ανασφάλεια K=	1,5 m/s ²	1,5 m/s ²
Βίδωμα χωρίς κρούση: Τιμή εκπομπής δονήσεων a _h	1,1 m/s ²	1,8 m/s ²
Ανασφάλεια K=	1,5 m/s ²	1,5 m/s ²

ΠΡΕΙΔΟΠΟΙΗΣΗ!

Το αναφερόμενο σ' αυτές τις οδηγίες επίπεδο δονήσεων έχει μετρηθεί με μια τυποποιημένη σύμφωνα με το EN 60745 μέθοδο μέτρησης και μπορεί να χρησιμοποιηθεί για τη σύγκριση των ηλεκτρικών εργαλείων μεταξύ τους. Αυτό είναι επίσης κατάλληλο για μια προσωρινή εκτίμηση της επιβάρυνσης των δονήσεων.

Το αναφερόμενο επίπεδο δονήσεων αντιπροσωπεύει τις κύριες χρήσεις του ηλεκτρικού εργαλείου. Εάν όμως το ηλεκτρικό χρησιμοποιείται σε άλλες χρήσεις, με διαφορετικά εργαλεία εφαρμογής ή ανεπαρκή συντήρηση, μπορεί να υπάρξει απόκλιση του επιπέδου δονήσεων. Αυτό μπορεί να αυξήσει σημαντικά την επιβάρυνση των δονήσεων για τη συνολική διάρκεια της εργασίας.

Για μια ακριβή εκτίμηση της επιβάρυνσης των δονήσεων οφείλουν επίσης να λαμβάνονται υπόψη οι χρόνοι, στους οποίους η συσκευή είναι απενεργοποιημένη ή είναι μεν ενεργοποιημένη αλλά δεν χρησιμοποιείται πραγματικά. Αυτό μπορεί να μειώσει σημαντικά την επιβάρυνση των δονήσεων για τη συνολική διάρκεια της εργασίας.

Καθορίστε πρόσθετα μέτρα ασφαλείας για την προστασία του χειριστή από την επίδραση των δονήσεων όπως για παράδειγμα: Συντήρηση του ηλεκτρικού εργαλείου και των εργαλείων εφαρμογής, διατηρείτε ζεστά τα χέρια, οργάνωση των διαδικασιών εργασίας.



ΠΡΟΕΙΔΟΠΟΙΗΣΗ! Διαβάστε όλες τις Υποδείξεις ασφαλείας και τις Οδηγίες. Αμέλειες κατά την τήρηση των προειδοποιητικών υποδείξεων μπορεί να προκαλέσουν ηλεκτροπληξία, κίνδυνο πυρκαγιάς ή/και σοβαρούς τραυματισμούς. **Φυλάξτε όλες τις προειδοποιητικές υποδείξεις και οδηγίες για κάθε μελλοντική χρήση.**



ΥΠΟΔΕΙΞΕΙΣ ΑΣΦΑΛΕΙΑΣ ΓΙΑ ΔΡΑΠΑΝΑ

Κατά την κρουστική διάτρηση φοράτε ωτοασπίδες. Η επίδραση του θορύβου μπορεί να προκαλέσει απώλεια ακοής. **Χρησιμοποιείτε με τη συσκευή τις προμηθευόμενες πρόσθετες χειρολαβές.** Η απώλεια ελέγχου μπορεί να οδηγήσει σε τραυματισμό.

Να πιάνετε το ηλεκτρικό εργαλείο μόνο από τις προβλεπόμενες γι' αυτό το σκοπό μονωμένες επιφάνειές του, όταν εκτελείτε εργασίες στις οποίες υπάρχει κίνδυνος το εργαλείο που χρησιμοποιείτε να συναντήσει ηλεκτροφόρους αγωγούς ή το δικό του ηλεκτρικό καλώδιο. Η επαφή των κοπτικών εργαλείων με αγωγό τροφοδοσίας τάσης μπορεί να θέσει τα μεταλλικά τμήματα της συσκευής υπ'όσταση και να προκαλέσει ηλεκτροπληξία.



ΥΠΟΔΕΙΞΕΙΣ ΑΣΦΑΛΕΙΑΣ ΓΙΑ ΚΑΤΣΑΒΙΔΙΑ

Να πιάνετε τη συσκευή στις μονωμένες χειρολαβές όταν εκτελείτε εργασίες κατά τις οποίες η βίδα θα μπορούσαν να πέσουν επάνω σε κρυμμένα καλώδια ρεύματος ή στο δικό της καλώδιο. Η επαφή της βίδας μ' ένα ηλεκτροφόρο καλώδιο μπορεί να προκαλέσει τη μεταφορά ρεύματος στα μεταλλικά εξαρτήματα της συσκευής και να οδηγήσει σε ηλεκτροπληξία.

Περαιτέρω οδηγίες ασφαλείας και χρήσεως

Χρησιμοποιείτε προστατευτικό εξοπλισμό. Κατά την εργασία με τη μηχανή φοράτε πάντα προστατευτικά γυαλιά. Συνιστούμε επίσης προστατευτική ενδύμασία όπως επίσης μάσκα προστασίας αναπνοής, προστατευτικά γάντια, σταθερά και ασφαλή στην ολίσθηση υποδήματα, κράνος και ωτοασπίδες.

Κρατάτε το καλώδιο σύνδεσης πάντοτε μακριά από την περιοχή δράσης της μηχανής. Περνάτε το καλώδιο πάντοτε πίσω από τη μηχανή.

Μην επεξεργάζεστε επικίνδυνα για την υγεία υλικά (π.χ. αμίαντος). Κατά τις εργασίες σε τοίχο, οροφή ή δάπεδο προσέχετε για τυχόν ηλεκτρικά καλώδια και για σωλήνες αερίου και νερού.

Ασφαλίστε το προς κατεργασία κομμάτι στη μέγνηνη ή με μια άλλη διάταξη στερέωσης. Μη ασφαλισμένα προς κατεργασία κομμάτια μπορεί να προκαλέσουν σοβαρούς τραυματισμούς και ζημιές.

Σε περίπτωση μπλοκαρίσματος της αρίδας απενεργοποιείτε αμέσως τη συσκευή! Μην ενεργοποιείτε εκ νέου τη συσκευή όσο η αρίδα είναι μπλοκαρισμένη. Σ' αυτή τη περίπτωση θα μπορούσε να προκύψει υψηλή ροπή αντίδρασης. Βρείτε την αιτία του μπλοκαρίσματος της αρίδας και ξεμπλοκάρετέ την λαμβάνοντας υπόψη τις οδηγίες ασφαλείας.

Πιθανές αιτίες γι' αυτό θα μπορούσαν να είναι:

- Η αρίδα μάγκωσε με το προς κατεργασία κομμάτι.
- Θραύση του επεξεργαζόμενου υλικού
- Υπερφόρτωση του ηλεκτρικού εργαλείου.

Μην απλώνετε τα χέρια σας στην επικίνδυνη περιοχή της μηχανής όταν είναι σε λειτουργία.

Η θερμοκρασία της αρίδας μπορεί να φτάσει σε υψηλά επίπεδα κατά τη λειτουργία.

ΠΡΟΕΙΔΟΠΟΙΗΣΗ! Κίνδυνος εγκαύματος

- κατά την αλλαγή εργαλείου (αρίδας)
- κατά την απόθεση της συσκευής

Τα γράζεϊ ή οι σκλήθρες δεν επιτρέπεται να απομακρύνονται όσο η μηχανή βρίσκεται σε λειτουργία.

Πριν από κάθε εργασία στη μηχανή τραβάτε το φως από την πρίζα.

ΧΡΗΣΗ ΣΥΜΦΩΝΑ ΜΕ ΤΟ ΣΚΟΠΟ ΠΡΟΟΡΙΣΜΟΥ

Το ηλεκτρονικό κρουστικό τρυπάνι/κατσαβίδι μπορεί να χρησιμοποιηθεί γενικά για από τρύπημα, τρύπημα με κρούση, βίδωμα και σπειροτόμηση.

ΔΗΛΩΣΗ ΠΙΣΤΟΤΗΤΑΣ ΕΚ

Δηλώνουμε με αποκλειστική μας ευθύνη, ότι το προϊόν που περιγράφεται στα «Τεχνικά Χαρακτηριστικά» συμμορφώνεται με όλες τις σχετικές διατάξεις των οδηγιών:

2011/65/EU (RoHS)

2014/30/EU

2006/42/ΕΚ

και έχουν εφαρμοστεί τα ακόλουθα εναρμονισμένα πρότυπα

EN 60745-1:2009 + A11:2010

EN 60745-2-1:2010

EN 60745-2-2:2010

EN 55014-1:2006 + A1:2009 + A2:2011

EN 55014-2:1997 + A1:2001 + A2:2008

EN 61000-3-2:2014

EN 61000-3-3:2013

EN 50581:2012



Winnenden, 2016-03-25

Alexander Krug / Managing Director

Εξουσιοδοτημένος να συντάξει τον τεχνικό φάκελο.

Techtronic Industries GmbH

Max-Eyth-Straße 10, 71364 Winnenden, Germany

ΣΥΝΔΕΣΗ ΣΤΟ ΗΛΕΚΤΡΙΚΟ ΔΙΚΤΥΟ

Οι πρίζες στους εξωτερικούς χώρους πρέπει να είναι εξωπλισμένες με μικροαυτόματους διακόπτες προστασίας (FI, RCD, PRCD). Αυτό απαιτεί ο σχετικός κανονισμός από την ηλεκτρική σας εγκατάσταση. Προσέξτε παρακαλώ αυτό το σημείο κατά τη χρήση της συσκευής μας.

Συνδέετε μόνο σε μονοφασικό εναλλασσόμενο ρεύμα και μόνο σε τάση δικτύου όπως αναφέρεται στην πινακίδα τεχνικών χαρακτηριστικών. Η σύνδεση είναι επίσης εφικτή σε πρίζες χωρίς προστασία επαφής, διότι έχει προβλεφθεί εξοπλισμός κατηγορίας προστασίας II.

Συνδέετε τη μηχανή στην πρίζα μόνο αν ο διακόπτης είναι στη θέση απενεργοποίησης.



ΣΥΝΤΗΡΗΣΗ

Διατηρείτε πάντοτε τις σχισμές εξαερισμού της μηχανής καθαρές.

Σε περίπτωση συχνής λειτουργίας ως κρουστικό τρυπάνι πρέπει να καθαρίζετε το σοοκ τακτικά από τη σκόνη. Για το σκοπό αυτόν κρατήστε τη μηχανή με το σοοκ κάθετα προς τα κάτω και ανοίξτε το σοοκ σ' όλο το εύρος σύσφιξης και κλείστε το ξανά. Έτσι πέφτει από το σοοκ η συγκεντρωμένη σκόνη. Συνίσταται η τακτική χρήση σπρέι καθαρισμού (αριθ. προϊόντος 4932 6217 19) στις σιαγόνες σύσφιξης και στις οπές των σιαγόνων σύσφιξης.

Όταν έχει υποστεί ζημιά το καλώδιο ηλεκτρικής σύνδεσης, πρέπει αυτό να αντικατασταθεί σε μια υπηρεσία τεχνικής υποστήριξης πελατών, διότι απαιτείται ειδικό εργαλείο.

Χρησιμοποιείτε μόνο εξαρτήματα και ανταλλακτικά της AEG. Αναθέστε την αλλαγή των εξαρτημάτων, των οποίων η αντικατάσταση δεν έχει περιγραφεί, σ' ένα κέντρο σέρβις της AEG (προσέξτε το εγχειρίδιο Εγγύηση/Διευθύνσεις εξυπηρέτησης πελατών).

Όταν χρειάζεται, μπορείτε να ζητήσετε ένα σχέδιο συναρμολόγησης της συσκευής, δίνοντας τον τύπο της μηχανής και αριθμό στην πινακίδα ισχύος, από το κέντρο σέρβις ή απευθείας από τη φίρμα Techtronic Industries GmbH, Max-Eyth-Strasse 10, 71364 Winnenden, Germany.



ΣΥΜΒΟΛΑ



ΠΡΟΣΟΧΗ! ΠΡΟΕΙΔΟΠΟΙΗΣΗ! ΚΙΝΔΥΝΟΣ!



Πριν από κάθε εργασία στη μηχανή τραβάτε το φως από την πρίζα.



Παρακαλώ διαβάστε σχολαστικά τις οδηγίες χρήσης πριν από την έναρξη λειτουργίας.



Εξαρτήματα - Δεν περιλαμβάνονται στα υλικά παράδοσης, συνιστούμενη προσθήκη από το πρόγραμμα εξαρτημάτων.



Ηλεκτρικά μηχανήματα δεν επιτρέπεται να απορρίπτονται μαζί με τα οικιακά απορρίμματα. Ηλεκτρικά και ηλεκτρονικά μηχανήματα συλλέγονται ξεχωριστά και παραδίδονται προς ανακύκλωση με τρόπο φιλικό προς το περιβάλλον σε επιχείρηση επεξεργασίας απορριμμάτων. Ενημερωθείτε από τις τοπικές υπηρεσίες ή από ειδικευμένους εμπόρους σχετικά με κέντρα ανακύκλωσης και συλλογής απορριμμάτων.



Ηλεκτρικό εργαλείο κατηγορίας ασφάλειας II. Ηλεκτρικό εργαλείο στο οποίο η προστασία από ηλεκτροπληξία δεν εξαρτάται μόνο από την βασική μόνωση αλλά και από συμπληρωματικά μέτρα ασφάλειας όπως διπλή ή ενισχυμένη μόνωση.



Σήμα συμμόρφωσης CE



UkrSEPRO σήμα πιστότητας.

TR 066



EurAsian σήμα πιστότητας.

TEKNİK VERİLER Vurmalı matkap makinesi	SB2E 850 R	SB2E 1100 RV
Üretim numarası	4473 61 02... ... 000001-999999	4473 76 02... ... 000001-999999
Giriş gücü	850 W	1100 W
Çıkış gücü	460 W	600 W
Boştaki devir sayısı 1. Vites	0-1000 min ⁻¹	0-1000 min ⁻¹
Boştaki devir sayısı 2. Vites	0-3000 min ⁻¹	0-3000 min ⁻¹
Yükteki devir sayısı 1. Vites	0-680 min ⁻¹	0-680 min ⁻¹
Yükteki devir sayısı 2. Vites	0-2000 min ⁻¹	0-2000 min ⁻¹
Yükteki darbe sayısı Maks.	38000 min ⁻¹	38000 min ⁻¹
Maksimum darbe sayısı Maks.	57000 min ⁻¹	57000 min ⁻¹
Statik blokaj momenti	56/30 Nm	60/33 Nm
Delme çapı beton	20 mm	22 mm
Delme çapı tuğla ve kireçli kum taşı	22 mm	24 mm
Delme çapı çelikte	13 mm	16 mm
Delme çapı tahta	40 mm	40 mm
Mandren kapasitesi	1,5-13 mm	1,5-13 mm
Matkap mili	1/2" - 20 UNF	1/2" - 20 UNF
Germe boynu çapı	43 mm	43 mm
Ağırlığı ise EPTA-üretici 01/2003'e göre	2,7 kg	2,9 kg
Gürültü bilgileri		
Ölçüm değerleri EN 60745 e göre belirlenmektedir. Aletin, frekansa bağımlı uluslararası ses basıncı seviyesi değerlendirme eğrisi A'ya göre tipik gürültü seviyesi:		
Ses basıncı seviyesi (Tolerans K=3dB(A))	100,0 dB (A)	94,0 dB (A)
Akustik kapasite seviyesi (Tolerans K=3dB(A))	111 dB (A)	105 dB (A)
Koruyucu kulaklık kullan!		
Vibrasyon bilgileri		
Toplam titreşim değeri (üç yönün vektör toplamı) EN 60745'e göre belirlenmektedir:		
Metal delme: titreşim emisyon değeri a _{h,d}	2,7 m/s ²	3,5 m/s ²
Tolerans K=	1,5 m/s ²	1,5 m/s ²
Darbeli beton delme: titreşim emisyon değeri a _{h,10}	13,4 m/s ²	12,2 m/s ²
Tolerans K=	1,5 m/s ²	1,5 m/s ²
Darbesiz vidalama: titreşim emisyon değeri a _h	1,1 m/s ²	1,8 m/s ²
Tolerans K=	1,5 m/s ²	1,5 m/s ²

UYARI!

Bu talimatlarda belirtilen titreşim seviyesi, EN 60745 standardına uygun bir ölçme metodu ile ölçülmüştür ve elektrikli el aletleri birbiriyle karşılaştırmak için kullanılabilir. Ölçüm sonuçları ayrıca titreşim yükünün geçici değerlendirmesi için de uygundur. Belirtilen titreşim seviyesi, elektrikli el aletinin genel uygulamaları için geçerlidir. Ancak elektrikli el aleti başka uygulamalar için, farklı eklenti parçalarıyla ya da yetersiz bakım koşullarında kullanılırsa, titreşim seviyesi farklılık gösterebilir. Bu durumda, titreşim yükü toplam çalışma zaman aralığı içerisinde belirgin ölçüde yükselebilir.

Titreşim yükünün tam bir değerlendirmesi için ayrıca cihazın kapalı olduğu süreler ve cihazın çalışır durumda olduğu, ancak gerçek kullanımda bulunmadığı süreler de dikkate alınmalıdır. Böylelikle, toplam çalışma zamanı aralığı boyunca meydana gelen titreşim yükü belirgin ölçüde azaltılabilir.

Kullanıcıyı titreşimlerin etkisinden korumak üzere, örneğin elektrikli el aletlerinin ve eklenti parçalarının bakımı, ellerin sıcak tutulması ve iş akışlarının organizasyonu gibi ek güvenlik tedbirleri belirleyiniz.



Tür

UYARI! Güvenlikle ilgili bütün açıklamaları. Açıklanan uyarılara ve talimat hükümlerine uyulmadığı takdirde elektrik çarpmalarına, yangınlara ve/veya ağır yaralanmalara neden olunabilir.

Bütün uyarıları ve talimat hükümlerini ilerde kullanmak üzere saklayın.

▲ MATKAP MAKİNELERİ İÇİN GÜVENLİK AÇIKLAMALARI

Tepmeli matkap olarak işleme için koruma cihazı taşıyınız. Gürültü etkisi işleme kaybını etkiler.

Aletle birlikte teslim edilen ek tutamakları kullanın. Aletin kontrolden çıkması kazalara neden olabilir.

Çalışırken alet ucunun görünmeyen elektrik akımı ileten kabloları veya aletin kendi şebeke kablosuna temas etme olasılığı varsa elektrikli el aletini sadece izolasyonlu tutamagından tutun. Kesme aletinin içinden elektrik akımı geçen kablo ile temas etmesi durumunda elektrik akımı cihazın metal kısımlarına geçer ve elektrik çarpmasına sebebiyet verebilir.

▲ TORNAVIDALAR İÇİN GÜVENLİK AÇIKLAMASI

Vidayı aletin eğrilmiş elektrik kabloları veya kendi kablosuna isabet eden çalışmalar yapılırken cihazı izole edilmiş kollarından tutun. Voltaj altında kalan vida ile temas edilmesi, metal cihaz parçalarına elektrik akımı verebilir ve bu da elektrik çarpmasına neden ol

Ek güvenlik ve çalışma talimatları

Koruma teçhizatı kullanın. Makinada çalışırken devamlı surette koruyucu gözlük takın. Koruyucu elbise ve tozlardan korunma maskesi, emniyet eldivenleri ve sağlam ve kaymaya mukavim ayakkabı giyin. Başlık ve kulaklık tavsiye edilir.

Bağlantı kablosunu aletten uzak tutun. Kablo daima aletin arkasında olmalıdır ve toplanmamalıdır.

Sağlık tehlikelerine neden olan malmemelerin işlenmesi yasaktır (örn. asbest).

Duvar, tavan ve zeminde delik açarken elektrik kablolarına, gaz ve su borularına dikkat edin.

İşlenen parçayı bir germe tertibatıyla emniyete alın. Emniyete alınmayan iş parçaları ağır yaralanmalar ve hasarlara neden olabilir.

Uca yerleştirilen takımın bloke olması halinde lütfen cihazı hemen kapatın! Uca yerleştirilen takım bloke olduğu sürece cihazı tekrar çalıştırmayın; bu sırada yüksek reaksiyon momentine sahip bir geri tepme meydana gelebilir. Uca yerleştirilen takımın neden bloke olduğuna bakın ve bu durumu güvenlik uyarılarına dikkat ederek gidirin.

Olası nedenler şunlar olabilir:

- İşlenen parça içinde takılma
- İşlenen malzemenin kırılması
- Elektrikli alete aşırı yük binmesi

Ellerinizi çalışmakta olan makinenin içine uzatmayın.

Uca yerleştirilen takım kullanım sırasında ısınabilir.

UYARI! Yanma tehlikesi

- takım değiştirme sırasında
- aletin yere bırakılması sırasında

Alet çalışır durumda iken talaş ve kırıntılıları temizlemeye çalışmayın.

Aletin kende bir çalışma yapmadan önce fişi prizden çekin.

KULLANIM

Bu elektronik darbeli matkap/vidalama makinesi delme, darbeli delme, vidalama ve dış açma işlerinde çok yönlü olarak kullanılabilir.

CE UYGUNLUK BEYANI

“Teknik veriler” başlığı altında tanımlanan ürünün, sayılı direktiflerdeki tüm hükümleri:

2011/65/EU (RoHS)

2014/30/EU

2006/42/EC

uyumlaştırılmış standartları

EN 60745-1:2009 + A11:2010

EN 60745-2-1:2010

EN 60745-2-2:2010

EN 55014-1:2006 + A1:2009 + A2:2011

EN 55014-2:1997 + A1:2001 + A2:2008

EN 61000-3-2:2014

EN 61000-3-3:2013

EN 50581:2012



Winnenden, 2016-03-25

Alexander Krug / Managing Director

Teknik evrakları hazırlamakla görevlendirilmiştir.

Techtronic Industries GmbH

Max-Eyth-Straße 10, 71364 Winnenden, Germany

ŞEBEKE BAĞLANTISI

Açık havadaki prizler hatalı akım koruma şalteri (FI, RCD, PRCD) ile donatılmış olmalıdır. Bu, elektrik tesisatınızdaki bir zorunluluktur. Lütfen aletimizi kullanırken bu hususa dikkat edin.

Aleti sadece tek fazlı alternatif akıma ve tip etiketi üzerinde belirtilen şebeke gerilimine bağlayın. Yapısı Koruma sınıfı II'ye girdiğinden alet koruyucu kontaksız prize de bağlanabilir.

Aleti sadece kapalı iken prize takın.

BAKIM

Aletin havalandırma aralıklarını daima temiz tutun.

Sık sık darbeli delme yapıyorsanız mandreni düzenli aralıklarla tozdan arındırın. Bu işleme yapmak için aleti mandren aşağıya bakacak biçimde dik olarak tutun, mandreni sonuna kadar açıp, kapayın. Birikmiş olan toz bu durumda mandrenden aşağı düşer. Ayrıca, germe çenelerine ve germe çenesi deliklerine düzenli olarak bakım spreyi (ürün kodu: 4932 6217 19) uygulamanızı öneririz.

Şebeke hatları hasarlı ise müşteri hizmetleri servisi tarafından değiştirilmesi gerekir, zira bunun için özel bir aparat gereklidir.

Sadece AEG aksesuarını ve yedek parçalarını kullanın. Değiştirilmesi açıklanmamış olan parçaları bir AEG müşteri servisinde değiştiririn (Garanti broşürüne ve müşteri servisi adreslerine dikkat edin).

Gerektiği takdirde aletin dağınık görünüş şeması, alet tipinin ve tip etiketi üzerindeki sayının bildirilmesi koşuluyla müşteri servisinden veya doğrudan Techtronic Industries GmbH, Max-Eyth-Straße 10, 71364 Winnenden, Germany adresinden istenebilir.

SEMBOLLER



DİKKAT! UYARI! TEHLİKE!



Aletin kendinde bir çalışma yapmadan önce fişi prizden çekin.



Lütfen aleti çalıştırmadan önce kullanma kılavuzunu dikkatli biçimde okuyun.



Aksesuar - Teslimat kapsamında değildir, önerilen tamam-lamalar aksesuar programında.



Elektrikli cihazların evsel atıklarla birlikte bertaraf edilmesi yasaktır. Elektrikli ve elektronik cihazlar ayrılarak biriktirilmeli ve çevreye zarar vermeden bertaraf edilmeleri için bir atık değerlendirme tesisine götürülmelidirler. Yerel makamlara veya satıcınıza geri dönüşüm tesisleri ve atık toplama merkezlerinin yerlerini danışınız.



Koruma sınıfı II olan elektrikli aletler. Elektrik çarpmasına karşı korumanın sadece temel izolasyona bağlı olmayıp, aynı zamanda çift izolasyon veya takviyeli izolasyon gibi ek koruyucu önlemlerin alınmasına bağlı olan elektrikli alet.



CE işareti



UkrSEPRO Uyumluluk işareti



EurAsian Uyumluluk işareti



TECHNICKÁ DATA Příklepové vrtačky	SB2E 850 R	SB2E 1100 RV
Výrobní číslo	4473 61 02... ... 000001-999999	4473 76 02... ... 000001-999999
Jmenovitý příkon	850 W	1100 W
Odběr	460 W	600 W
Volnoběžné otáčky 1. rychlost	0-1000 min ⁻¹	0-1000 min ⁻¹
Volnoběžné otáčky 2. rychlost	0-3000 min ⁻¹	0-3000 min ⁻¹
Počet otáček při zatížení 1. rychlost	0-680 min ⁻¹	0-680 min ⁻¹
Počet otáček při zatížení 2. rychlost	0-2000 min ⁻¹	0-2000 min ⁻¹
Počet úderů max.	38000 min ⁻¹	38000 min ⁻¹
Počet úderů při zatížení max.	57000 min ⁻¹	57000 min ⁻¹
Statický krouticí moment	56/30 Nm	60/33 Nm
Vrtací ø v betonu	20 mm	22 mm
Vrtání ø v cihle a vápenopískové cihle	22 mm	24 mm
Vrtací ø v oceli	13 mm	16 mm
Vrtací ø v dřevě	40 mm	40 mm
Rozsah upnutí sklíčidla	1,5-13 mm	1,5-13 mm
Vrtací vřeteno	1/2" - 20 UNF	1/2" - 20 UNF
ø upínacího krčku	43 mm	43 mm
Hmotnost podle prováděcího předpisu EPTA 01/2003	2,7 kg	2,9 kg

Informace o hluku

Naměřené hodnoty odpovídají EN 60745. V třídě A posuzovaná hladina hluku přístroje činí typicky:

Hladina akustického tlaku (Kolisavost K=3dB(A))

100,0 dB (A)

94,0 dB (A)

Hladina akustického výkonu (Kolisavost K=3dB(A))

111 dB (A)

105 dB (A)

Používejte chrániče sluchu !

Informace o vibracích

Celkové hodnoty vibrací (vektorový součet tří směrů) zjištěné v smyslu EN 60745.

Vrtání kovů: Hodnota vibračních emisí $a_{h,d}$

2,7 m/s²

3,5 m/s²

Kolisavost K=

1,5 m/s²

1,5 m/s²

Vrtání betonu s příklepem: Hodnota vibračních emisí $a_{h,10}$

13,4 m/s²

12,2 m/s²

Kolisavost K=

1,5 m/s²

1,5 m/s²

Šroubování bez příklepu: Hodnota vibračních emisí a_h

1,1 m/s²

1,8 m/s²

Kolisavost K=

1,5 m/s²

1,5 m/s²

VAROVÁNÍ!

Úroveň chvění uvedená v tomto návodu byla naměřena podle metody měření stanovené normou EN 60745 a může být použita pro porovnání elektrického nářadí. Hodí se také pro průběžný odhad zatížení chvěním.

Uvedená úroveň chvění představuje hlavní účely použití elektrického nářadí. Jestliže se ale elektrické nářadí používá pro jiné účely, s odlišnými nástroji nebo s nedostatečnou údržbou, může se úroveň chvění odlišovat. To může značně zvýšit zatížení chvěním během celé pracovní doby.

Pro přesný odhad zatížení chvěním se musí také zohlednit časy, během kterých je přístroj vypnutý nebo kdy je sice v chodu, ale skutečně se s ním nepracuje. To může zatížení chvěním během celé pracovní doby značně snížit.

Stanovte doplňková bezpečnostní opatření pro ochranu obsluhy před účinky chvění jako například: technická údržba elektrického nářadí a nástrojů, udržování teploty rukou, organizace pracovních procesů.

VAROVÁNÍ! Seznamte se se **všemi bezpečnostními pokyny a sice i s pokyny**. Zanedbání při dodržování varovných upozornění a pokynů mohou mít za následek úder elektrickým proudem, požár a ebo těžká poranění.
Všechna varovná upozornění a pokyny do budoucna uschovejte.

BEZPEČNOSTNÍ POKYNY PRO PRÁCI S VRTAČKOU

Při vrtání s přiklepem používejte prostředky k ochraně sluchu. Nadměrný hluk může vést ke ztrátě sluchu.

Používejte doplňková madla dodávaná s přístrojem. Nedostatečným držením by mohlo dojít ke zranění.

Pokud provádíte práce, při kterých může nasazovací nástroj zasáhnout skrytá elektrická vedení nebo vlastní síťový kabel, pak uchopte elektronářadí pouze na izolovaných plochách držadla. Kontakt řezného nástroje s vedením pod napětím může vést k přenosu napětí na kovové části přístroje a k úrazu elektrickým proudem.

BEZPEČNOSTNÍ POKYNY PRO PRÁCI SE ŠROUBOVÁKEM

Při provádění prací, při kterých šroub může narazit na skrytá elektrická vedení nebo na vlastní kabel, držte přístroj za izolované přídržovací plošky Kontakt šroubu s vedením pod napětím může přivést napětí na kovové části přístroje a způsobit elektrický ráz.

Další bezpečnostní a pracovní pokyny

Použijte ochranné vybavení. Při práci s elektrickým nářadím používejte vždy ochranné brýle. Doporučujeme rovněž použití součástí ochranného oděvu a ochranné obuvi, jako protiprašné masky, ochranných rukavic, pevné a nekouzlající obuvi, ochranné přilby a ochrany sluchu.

Neustále dbát na to, aby byl kabel pro připojení k elektrické síti mimo dosah stroje. Kabel vést vždy směrem dozadu od stroje.

Nesmíte se opracovávat materiály, které mohou způsobit ohrožení zdraví (např. azbest)

Při vrtání do zdi, stropu nebo podlahy dávat pozor na elektrické kabely, plynová a vodovodní potrubí.

Obrobek zabezpečte upínacím zařízením. Nezabezpečené obrobky mohou způsobit těžká poranění a poškození.

Při zablokování nasazeného nástroje přístroj okamžitě vypněte! Přístroj nezapínajte, pokud je nasazený nástroj zablokovaný; mohl by při tom vzniknout zpětný náraz s vysokým reakčním momentem. Zjistěte příčinu zablokování nasazeného nástroje a odstraňte ji při dodržení bezpečnostních pokynů.

Eventuální příčinou může být:

- vzpříčení v opracovávaném obrobku
- Opracovávaný materiál se zlomí.
- přetížení elektrického přístroje

Nezasahujte do běžícího stroje.

Nasazený nástroj se může během používání rozpálat.

VAROVÁNÍ! Nebezpečí popálení.

- při výměně nástroje
- při odkládání přístroje

Pokud stroj běží, nesmí být odstraňovány třísky nebo odštěpky.

Před zahájením veškerých prací na stroji vytáhnout síťovou zástrčku ze zásuvky.

OBLAST VYUŽITÍ

Elektronická příklepová vrtačka / šroubovák je univerzálně použitelná k vrtání, příklepovému vrtání, šroubování a k řezání závitů.

CE-PROHLÁŠENÍ O SHODĚ

Prohlašujeme na naši výhradní odpovědnost, že produkt popsán v části „Technické údaje“ splňuje všechna příslušná ustanovení směrnic:

2011/65/EU (RoHS)

2014/30/EU

2006/42/ES

a byly použity následující harmonizované normy

EN 60745-1:2009 + A11:2010

EN 60745-2-1:2010

EN 60745-2-2:2010

EN 55014-1:2006 + A1:2009 + A2:2011

EN 55014-2:1997 + A1:2001 + A2:2008

EN 61000-3-2:2014

EN 61000-3-3:2013

EN 50581:2012



Winnenden, 2016-03-25

Alexander Krug / Managing Director

Zplnomocněn k sestavování technických podkladů.

Techtronic Industries GmbH

Max-Eyth-Straße 10, 71364 Winnenden, Germany

PŘIPOJENÍ NA SÍT

Ve venkovním prostředí musí být zásuvky vybaveny proudovým chráničem (FI, RCD, PRCD). Je to vyžadováno instalačním předpisem pro toto el.zařízení. Dodržujte ho při používání tohoto nářadí, prosím.

Připojit pouze do jednofázové střídavé sítě o napětí uvedeném na štítku. Lze připojit i do zásuvky bez ochranného kontaktu neboť spotřebič je třídy II.

Stroj zapínat do zásuvky pouze když je vypnutý.

ÚDRŽBA

Větrací šterbiny nářadí udržujeme stále čisté.

Při častém příklepovém provozu je třeba sklíčidlo pravidelně zbavovat prachu. Za tím účelem podržte stroj tak, aby sklíčidlo směřovalo kolmo dolů a otevírejte a zavírejte sklíčidlo v celém upínacím rozsahu. Tak z něj vypadne nahromaděný prach. Doporučuje se také pravidelné používání čistícího spreje (čís. 4932 6217 19) na upínací čelisti a na otvory upínacích čelistí.

Dojde-li k poškození přívodního kabelu, nechte jej vyměnit v autorizovaném servisu, protože k výměně je zapotřebí speciální nástroj.

Používejte výhradně náhradní díly a příslušenství AEG. Díly, jejichž výměna nebyla popsána, nechte vyměnit v odborném servisu AEG. (Viz záruční list.)



Při potřebě podrobného rozkresu konstrukce, oslovte informaci o typu a čísle přímo servis a nebo výrobce, Techtronic Industries GmbH, Max-Eyth-Straße 10, 71364 Winnenden, Germany.

SYMBOLY



POZOR! VAROVÁNÍ! NEBEZPEČÍ!



Před zahájením veškerých prací na stroji vytáhnout síťovou zástrčku ze zásuvky.



Před spuštěním stroje si pečlivě přečtěte návod k používání.



Příslušenství není součástí dodávky, viz program příslušenství.



Elektrické přístroje se nesmí likvidovat společně s odpadem z domácností. Elektrické a elektronické přístroje je třeba sbírat odděleně a odevzdat je v recyklačním podniku na ekologickou likvidaci. Na místních úřadech nebo u vašeho specializovaného prodejce se informujte na recyklační podniky a sběrné dvory.



Elektrický přístroj s třídou ochrany II. Elektrický přístroj, u kterého ochrana před zásahem el. proudem závisí nejen na základní izolaci, ale i na tom, že budou použita také doplňková ochranná opatření, jakými jsou dvojitá izolace nebo zesílená izolace.



Značka CE



UkrSEPRO značka shody

TR 066



Euroasijská značka shody

TECHNICKÉ ÚDAJE Prílepková vrtačka	SB2E 850 R	SB2E 1100 RV
Výrobné číslo	4473 61 02... ... 000001-999999	4473 76 02... ... 000001-999999
Menovitý príkon	850 W	1100 W
Výkon	460 W	600 W
Otáčky naprázdno 1. prevodový stupeň	0-1000 min ⁻¹	0-1000 min ⁻¹
Otáčky naprázdno 2. prevodový stupeň	0-3000 min ⁻¹	0-3000 min ⁻¹
Otáčky pri záťaži 1. prevodový stupeň	0-680 min ⁻¹	0-680 min ⁻¹
Otáčky pri záťaži 2. prevodový stupeň	0-2000 min ⁻¹	0-2000 min ⁻¹
Počet úderov pri záťaži max.	38000 min ⁻¹	38000 min ⁻¹
Počet úderov max.	57000 min ⁻¹	57000 min ⁻¹
Statický blokovací moment	56/30 Nm	60/33 Nm
Priemer vrtu do betónu	20 mm	22 mm
Priemer vrtu do tehly a vápencového pieskovca	22 mm	24 mm
Priemer vrtu do ocele	13 mm	16 mm
Priemer vrtu do dreva	40 mm	40 mm
Upínací rozsah skľúčovadla	1,5-13 mm	1,5-13 mm
Vrtacie vreteno	1/2" - 20 UNF	1/2" - 20 UNF
Priemer upínacieho hrdla	43 mm	43 mm
Hmotnosť podľa vykonávacieho predpisu EPTA 01/2003	2,7 kg	2,9 kg



Slov

Informácia o hluku

Namerané hodnoty určené v súlade s EN 60745. V triede A posudzovaná hladina hluku prístroja činí typicky:

Hladina akustického tlaku (Kolisavosť K=3dB(A))

100,0 dB (A)

94,0 dB (A)

Hladina akustického výkonu (Kolisavosť K=3dB(A))

111 dB (A)

105 dB (A)

Používajte ochranu sluchu!

Informácie o vibráciách

Celkové hodnoty vibrácií (vektorový súčet troch smerov) zistených zmysle EN 60745.

Vrútenie kovov: Hodnota vibračných emisií $a_{h,D}$

2,7 m/s²

3,5 m/s²

Kolisavosť K=

1,5 m/s²

1,5 m/s²

Vrútenie betónu s prílepkom: Hodnota vibračných emisií $a_{h,10}$

13,4 m/s²

12,2 m/s²

Kolisavosť K=

1,5 m/s²

1,5 m/s²

Skrutkovanie bez príklepu: Hodnota vibračných emisií a_h

1,1 m/s²

1,8 m/s²

Kolisavosť K=

1,5 m/s²

1,5 m/s²

POZOR!

Úroveň vibrácií uvedená v týchto pokynoch bola nameraná meracou metódou, ktorú stanovuje norma EN 60745 a je možné ju použiť na vzájomné porovnanie elektrického náradia. Hodí sa aj na predbežné posúdenie kmitavého namáhania.

Uvedená úroveň vibrácií reprezentuje hlavné aplikácie elektrického náradia. Ak sa však elektrické náradie používa pre iné aplikácie, s odlišnými vloženými nástrojmi alebo s nedostatočnou údržbou, môže sa úroveň vibrácií líšiť. Toto môže kmitavé namáhanie v priebehu celej pracovnej doby podstatne zvýšiť.

Pre presný odhad kmitavého namáhania by sa mali tiež zohľadniť doby, v ktorých je náradie vypnuté alebo je síce v chode, ale v skutočnosti sa nepoužíva. Toto môže kmitavé namáhanie v priebehu celej pracovnej doby zreteľne redukovat'.

Stanovte dodatočné bezpečnostné opatrenia pre ochranu obsluhy pred účinkami vibrácií, ako napríklad: údržba elektrického náradia a vložených nástrojov, udržiavanie teploty rúk, organizácia pracovných postupov.

⚠ POZOR! Zoznámte sa so všetkými bezpečnostnými pokynmi. Zanedbanie dodržiavania Výstražných upozornení a pokynov uvedených v nasledujúcom texte môže mať za následok závažné elektrickým prúdom, spôsobiť požiar a/alebo ťažké poranenie.
Tieto Výstražné upozornenia a bezpečnostné pokyny starostlivo uschovajte na budúce použitie.

⚠ BEZPEČNOSTNÉ POKYNY PRE PRÁCU S VŔTAČKOU

Pri vŕtaní s príklepom používajte prostriedky k ochrane sluchu. Nadmerný hluk môže viesť k strate sluchu.

Používajte prídavné rukoväte dodané spolu s prístrojom. Strata kontroly nad strojom môže viesť k zraneniu.

Elektrické náradie držte za izolované plochy rukovätí pri vykonávaní takej práce, pri ktorej by mohol rezací nástroj natrafiť na skryté elektrické vedenia alebo zasiahnuť vlastnú prívodnú šnúru náradia. Kontakt rezného nástroja s vedením pod napätím môže viesť k prenosu napätia na kovové časti prístroja a k úrazu elektrickým prúdom.

⚠ BEZPEČNOSTNÉ POKYNY PRE PRÁCU SO SKRUTKOVAČOM

Pri realizovaní prác, pri ktorých nástroj môže naraziť na skryté elektrické vedenia alebo na vlastný kábel, držte prístroj za izolované pridrôvacie plochy. Stik svedra z elektrickým vodníkom ľahko kovinske deli naprave spravi pod napetost in vodi do električnega udara.

Ďalšie bezpečnostné a pracovné pokyny

Použite ochranné vybavenie. Pri práci s elektrickým náradím používajte vždy ochranné okuliare. Doporučujeme taktiež použitie súčasti ochranného odevu a ochrannej obuvi, ako sú protiprašná maska, ochranné rukavice, pevná a neklzajúca obuv, ochranná prilba a ochrana sluchu.

Pripojovací kábel držte mimo pracovnej oblasti stroja. Kábel smerujte vždy smerom dozadu od stroja.

Nesmú sa opracovávať materiály, ktoré môžu spôsobiť ohrozenie zdravia (napr. azbest)

Pri práci v stene, strope alebo v podlahe dávajte pozor na elektrické káble, plynové a vodovodné potrubia.

Obrobok zabezpečte upínacím zariadením. Nezabezpečené obrobky môžu spôsobiť ťažké poranenia a poškodenia.

Pri zablokovaní nasadeného nástroja prístroj okamžite vypnite! Prístroj nezapínajte, pokiaľ je nasadený nástroj zablokovaný; mohol by pri tom vzniknúť spätný náraz s vysokým reakčným momentom. Príčinu zablokovania nasadeného nástroja zistíte a odstránite so zohľadnením bezpečnostných pokynov.

Eventuálnou príčinou môže byť:

- spriechenenie v opracovávanom obrobku
- zlomenie sa opracovávaného materiálu
- preťaženie elektrického prístroja

Nezasahujte do bežiacieho stroja.

Nasadený nástroj sa počas používania môže rozhorúčiť.

POZOR! Nebezpečenstvo popálenia

- pri výmene nástroja
- pri odkladaní prístroja

Triesky alebo úlomky sa nesmú odstraňovať za chodu stroja.

Pred každou prácou na stroji vyťiahnite zástrčku zo zásuvky.

POUŽITIE PODĽA PREDPISOV

Elektronický príklepový vŕtací skrutkovač je univerzálne použiteľný na vŕtanie, príklepové vŕtanie, skrutkovanie a rezanie závitov.

CE - VYHLÁSENIE KONFORMITY

Na našu výhradnú zodpovednosť vyhlasujeme, že produkt popísaný v časti „Technické údaje“ spĺňa všetky príslušné ustanovenia smerníc:

2011/65/EU (RoHS)

2014/30/EU

2006/42/ES

a boli použité nasledovné harmonizované normy

EN 60745-1:2009 + A11:2010

EN 60745-2-1:2010

EN 60745-2-2:2010

EN 55014-1:2006 + A1:2009 + A2:2011

EN 55014-2:1997 + A1:2001 + A2:2008

EN 61000-3-2:2014

EN 61000-3-3:2013

EN 50581:2012



Winnenden, 2016-03-25

Alexander Krug / Managing Director

Splnomocnený zostaviť technické podklady.

Techtronic Industries GmbH

Max-Eyth-Straße 10, 71364 Winnenden, Germany

SIETOVÁ PRÍPOJKA

Zásuvky vo vonkajšom prostredí musia byť vybavené ochranným spínačom proti prudovým nárazom (FI, RCD, PRCD). Toto je inštalčný predpis na Vaše elektrické zariadenie. Venujte prosím tomuto pozornost pri používaní nášho prístroja.

Pripájajte len na jednofázový striedavý prúd a na sieťové napätie uvedené na štítku. Pripojenie je možné aj do zásuviek bez ochranného kontaktu, pretože ide o konštrukciu ochrannej triedy II.

Len vypnutý stroj pripájajte do zásuvky.

ÚDRŽBA

Vetracie otvory udržiavať stále v čistote.

Pri častom vŕtaní s príklepom by malo byť skľučovadlo pravidelne čistené od prachu. K tomu je potrebné stroj nasmerovať skľučovadlom kolmo nadol a v celom upínacom rozsahu skľučovadlo roztvoriť a zatvoriť. Nazbieraný prach takto zo skľučovadla vypadne. Odporúča sa pravidelná aplikácia čistiaceho spreju (id.č. 4932 6217 19) na upínacie čeluste a na vŕtania upínacích čelustí.

Aj dôjde k poškodeniu prívodného kábla, nechajte ho vymeniť v autorizovanom servise, pretože k výmene je potrebný špeciálny nástroj.

Používať len AEG príslušenstvo a náhradné diely. Súčiastky bez návodu na výmenu treba dat vymeniť v jednom z AEG zákazníckych centier (viď brožúru Záruka/Adresy zákazníckych centier).

Pri udaní typu stroja a čísla nachádzajúceho sa na štítku dá sa v prípade potreby vyžiadať explozívna schéma prístroja od vášho zákazníckeho centra alebo priamo v Techtronic Industries GmbH, Max-Eyth-Straße 10, 71364 Winnenden, Germany.

SYMBOLY



POZOR! NEBEZPEČENSTVO!



Pred každou prácou na stroji vytiahnite zástrčku zo zásuvky.



Pred prvým použitím prístroja si pozorne prečítajte návod na obsluhu.



Príslušenstvo - nie je súčasťou štandardnej výbavy, odporúčané doplnenie z programu príslušenstva.



Elektrické prístroje sa nesmú likvidovať spolu s odpadom z domácností. Elektrické a elektronické prístroje treba zbierať oddelene a odovzdať ich v recyklačnom podniku na ekologickú likvidáciu. Na miestnych úradoch alebo u vášho špecializovaného predajcu sa spýtajte na recyklačné podniky a zberné dvory.



Elektrický prístroj triedy ochrany II. Elektrický prístroj, pri ktorom ochrana pred zásahom el. prúdom závisí nie len od základnej izolácie, ale aj od toho, že budú použité aj doplnkové ochranné opatrenia, akými sú dvojité izolácie alebo zosilnená izolácia.



Značka CE



TR 066

UkrSEPRO značka zhody



Euroázijská značka zhody



DANE TECHNICZNE Wiertarka udarowa	SB2E 850 R	SB2E 1100 RV
Numer produkcyjny	4473 61 02... ... 000001-999999	4473 76 02... ... 000001-999999
Znamionowa moc wyjściowa	850 W	1100 W
Moc wyjściowa	460 W	600 W
Prędkość bez obciążenia 1 bieg	0-1000 min ⁻¹	0-1000 min ⁻¹
Prędkość bez obciążenia 2 bieg	0-3000 min ⁻¹	0-3000 min ⁻¹
Prędkość obrotowa pod obciążeniem 1 bieg	0-680 min ⁻¹	0-680 min ⁻¹
Prędkość obrotowa pod obciążeniem 2 bieg	0-2000 min ⁻¹	0-2000 min ⁻¹
Częstotliwość uderu przy obciążeniu maks.	38000 min ⁻¹	38000 min ⁻¹
Częstotliwość uderu maks.	57000 min ⁻¹	57000 min ⁻¹
Moment statyczny zakleszczenia	56/30 Nm	60/33 Nm
Zdolność wiercenia w betonie	20 mm	22 mm
Zdolność wiercenia w cegła i płytki ceramiczne	22 mm	24 mm
Zdolność wiercenia w stali	13 mm	16 mm
Zdolność wiercenia w drewnie	40 mm	40 mm
Zakres otwarcia uchwytu wiertarskiego	1,5-13 mm	1,5-13 mm
Chwytność napędu	1/2" - 20 UNF	1/2" - 20 UNF
Średnica szyjki uchwytu	43 mm	43 mm
Ciężar wg procedury EPTA 01/2003	2,7 kg	2,9 kg
Informacja dotycząca szumów		
Zmierzone wartości wyznaczone zgodnie z normą EN 60745. Poziom szumów urządzenia oszacowany jako A wynosi typowo:		
Poziom ciśnienia akustycznego (Niepewność K=3dB(A))	100,0 dB (A)	94,0 dB (A)
Poziom mocy akustycznej (Niepewność K=3dB(A))	111 dB (A)	105 dB (A)
Należy używać ochroniaczy uszu!		
Informacje dotyczące wibracji		
Wartości łączne drgań (suma wektorowa trzech kierunków) wyznaczone zgodnie z normą EN 60745		
Wiercenie w metalu: Wartość emisji drgań $a_{h,D}$	2,7 m/s ²	3,5 m/s ²
Niepewność K=	1,5 m/s ²	1,5 m/s ²
Wiercenie udarowe w betonie: Wartość emisji drgań $a_{h,10}$	13,4 m/s ²	12,2 m/s ²
Niepewność K=	1,5 m/s ²	1,5 m/s ²
Wkręcanie bez uderu: Wartość emisji drgań a_h	1,1 m/s ²	1,8 m/s ²
Niepewność K=	1,5 m/s ²	1,5 m/s ²

OSTRZEŻENIE!

Podany w niniejszych instrukcjach poziom drgań został zmierzony za pomocą metody pomiarowej zgodnej z normą EN 60745 i może być użyty do porównania ze sobą elektronarzędzi. Nadaje się on również do tymczasowej oceny obciążenia wibracyjnego.

Podany poziom drgań reprezentuje główne zastosowania elektronarzędzia. Jeśli jednakże elektronarzędzie użyte zostanie do innych celów z innymi narzędziami roboczymi lub nie jest dostatecznie konserwowane, wtedy poziom drgań może wykazywać odchylenia. Może to wyraźnie zwiększyć obciążenie wibracjami przez cały okres pracy.

Dla dokładnego określenia obciążenia wibracjami należy uwzględnić również czasy, w których urządzenie jest wyłączone względnie jest włączone, lecz w rzeczywistości nie pracuje. Może to spowodować wyraźną redukcję obciążenia wibracyjnego w całym okresie pracy. Należy wprowadzić dodatkowe środki zapobiegawcze celem ochrony obsługującego przed oddziaływaniem drgań, jak na przykład: konserwacja narzędzi roboczych i elektronarzędzi, nagranie rąk, organizacja przebiegu pracy.

⚠ OSTRZEŻENIE! Prosimy o przeczytanie wskazówek bezpieczeństwa i zaleceń, również tych. Błędy w przestrzeganiu poniższych wskazówek mogą spowodować porażenie prądem, pożar i/lub ciężkie obrażenia ciała.

Należy starannie przechowywać wszystkie przepisy i wskazówki bezpieczeństwa dla dalszego zastosowania.

⚠ WSKAZÓWKI BEZPIECZEŃSTWA DLA WIERTAREK

Do wiercenia udarowego należy zakładać ochronniki słuchu. Hałas może powodować utratę słuchu.

Stosować uchwyty pomocnicze dostarczone z narzędziem. Utrata kontroli może spowodować obrażenia.

Podczas prac, przy których elektronarzędzie mogłyby natrafić na ukryte przewody elektryczne lub na własny przewód, należy je trzymać tylko za izolowaną rękojęść.

Styczność narzędzia skrawającego z będącym pod napięciem przewodem może spowodować podłączenie części metalowych urządzenia do napięcia i prowadzić do porażenia prądem elektrycznym.

⚠ WSKAZÓWKI BEZPIECZEŃSTWA DLA WKRĘTAREK

Trzymaj urządzenie za izolowane powierzchnie chwytowe, gdy wykonujesz roboty, w trakcie których śruba może natrafić na ukryte przewody prądowe lub na własny kabel.

Kontakt śruby z przewodem pod napięciem może spowodować podłączenie części metalowych urządzenia do napięcia i prowadzić do porażenia prądem elektrycznym.

Dodatkowe wskazówki bezpieczeństwa i instrukcje robocze

Stosować wyposażenie ochronne. Przy pracy maszyną zawsze nosić okulary ochronne. Zalecana jest odzież ochronna, jak maska pyłochronna, rękawice ochronne, mocne i chroniące przed poślizgiem obuwie, kask i ochronniki słuchu.

Kabel zasilający nie może znajdować się w obszarze roboczym elektronarzędzia. Powinien on się zawsze znajdować się za operatorem.

Nie wolno obrabiać materiałów, które mogą być przyczyną zagrożenia zdrowia (na przykład azbestu).

Podczas pracy przy ścianach, sufitach i podłodze należy uważać na kable elektryczne, przewody gazowe i wodociągowe.

Należy zabezpieczyć przedmiot poddawany obróbce za pomocą urządzenia mocującego. Niezabezpieczone przedmioty poddawane obróbce mogą spowodować ciężkie obrażenia ciała i uszkodzenia.

W przypadku zablokowania narzędzia nasadzanego należy natychmiast wyłączyć urządzenie! Nie należy ponownie włączyć urządzenia tak długo, jak długo narzędzie nasadzone jest zablokowane; przy tym mogłyby powstać odrzut zwrotny o dużym momencie reakcyjnym. Należy wykryć i usunąć przyczynę zablokowania narzędzia nasadzanego uwzględniając wskazówki dotyczące bezpieczeństwa.

Możliwymi przyczynami mogą być:

- Skośne ustawienie się w poddawany obróbce przedmiocie obrabianym
- Przelamanie obrabianego materiału
- Przeciążenie narzędzia elektrycznego

Nie należy sięgać do wnętrza maszyny będącej w ruchu.

Narzędzie nasadzone może w trakcie użytkowania stać się gorące.

OSTRZEŻENIE! Niebezpieczeństwo oparzenia się

- przy wymianie narzędzia

- przy odstawianiu urządzenia

Podczas pracy elektronarzędzia nie wolno usuwać trocin ani drzazg.

Przed przystąpieniem do jakichkolwiek prac związanych z elektronarzędziem należy wyjąć wtyczkę z gniazdka.

WARUNKI UŻYTKOWANIA

Elektroniczna wiertarka/wkrętarka przeznaczona do uniwersalnych zastosowań przy wierceniu, wierceniu udarowym, wkręcaniu i gwintowaniu.

DEKLARACJA ZGODNOŚCI CE

Oświadczamy na naszą wyłączną odpowiedzialność, że produkt opisany pod „Dane techniczne” spełnia wszystkie istotne przepisy dyrektywy:

2011/65/EU (RoHS)

2014/30/EU

2006/42/WE

i zastosowano następujące zharmonizowane normy

EN 60745-1:2009 + A1:2010

EN 60745-2-1:2010

EN 60745-2-2:2010

EN 55014-1:2006 + A1:2009 + A2:2011

EN 55014-2:1997 + A1:2001 + A2:2008

EN 61000-3-2:2014

EN 61000-3-3:2013

EN 50581:2012



Winnenden, 2016-03-25

Alexander Krug / Managing Director

Upelnomocniony do zestawienia danych technicznych

Techtronic Industries GmbH

Max-Eyth-Straße 10, 71364 Winnenden, Germany

PODŁĄCZENIE DO SIECI

Urządzenia pracujące w wielu różnych miejscach, w tym poza mieszczeniami zamkniętymi, należy podłączać poprzez ochronny (FI, RCD, PRCD) wyłącznik udarowy.

Podłączać tylko do źródła zasilania prądem zmiennym jednofazowym i wyłączenie o napięciu podanym na tabliczce znamionowej. Możliwe jest również podłączenie do gniazdka bez uziemienia, ponieważ konstrukcja odpowiada II klasie bezpieczeństwa.

Elektronarzędzie można podłączać do gniazdka sieciowego tylko wtedy, kiedy jest wyłączone.

UTRZYMANIE I KONSERWACJA

Otwory wentylacyjne elektronarzędzia muszą być zawsze drożne.

Jeśli elektronarzędzia używa się głównie do wiercenia udarowego, należy regularnie oczyszczać uchwyt narzędziowy z pyłu.

Trzymając elektronarzędzie uchwytem pionowo skierowane w dół, należy go całkowicie otworzyć, a następnie zamknąć. Nagromadzonego pyłu wyleci z uchwytu. Zaleca się regularne czyszczenie szczęk



zaciskowych i usuwanie wiórów wiertarskich przy pomocy środka czyszczącego (Nr. ident. 4932 6217 19).

Jeżeli kabel zasilania sieciowego jest uszkodzony, musi on być wymieniony przez serwis naprawczy, ponieważ niezbędne jest specjalne narzędzie.

Należy stosować wyłącznie wyposażenie dodatkowe i części zamienne AEG. W przypadku konieczności wymiany części, dla których nie podano opisu, należy skontaktować się z przedstawicielami serwisu AEG (patrz lista punktów obsługi gwarancyjnej/serwisowej).

Na życzenie można otrzymać rysunek widoku zespołu rozebranego. Przy zamawianiu należy podać numer oraz typ elektronarzędzia umieszczony na tabliczce znamionowej. Zamówienia można dokonać albo u lokalnych przedstawicieli serwisu, albo bezpośrednio w Techtronic Industries GmbH, Max-Eyth-Straße 10, 71364 Winnenden, Germany.



SYMBOLE



UWAGA! OSTRZEŻENIE NIEBEZPIECZEŃSTWO!



Przed przystąpieniem do jakichkolwiek prac związanych z elektronarzędziem należy wyjąć wtyczkę z gniazdka.



Przed uruchomieniem elektronarzędzia zapoznać się uważnie z treścią instrukcji.



Wyposażenie dodatkowe dostępne osobno.



Urządzenia elektryczne nie mogą być usuwane razem z odpadami pochodzącymi z gospodarstw domowych. Urządzenia elektryczne i elektroniczne należy gromadzić oddzielnie i w celu usuwania ich do odpadów zgodnie z wymaganiami środowiska naturalnego oddawać do przedsiębiorstwa utylizacyjnego. Proszę zasięgnąć informacji o centrach recyklingowych i punktach zbiorczych u władz lokalnych lub u wyspecjalizowanego dostawcy.



Elektronarzędzie klasy ochrony II. Elektronarzędzie, w którym zabezpieczenie przed porażeniem prądowym zależy nie tylko od izolacji podstawowej, lecz również od tego, czy zostały zastosowane dodatkowe środki ochrony, takie jak: izolacja podwójna lub izolacja wzmocniona.



Znak CE



Znak zgodności UkrSEPRO



Znak zgodności EurAsian

MŰSZAKI ADATOK Ütvefűrógép	SB2E 850 R	SB2E 1100 RV
Gyártási szám	4473 61 02... ... 000001-999999	4473 76 02... ... 000001-999999
Névleges teljesítményfelvétel	850 W	1100 W
Leadott teljesítmény	460 W	600 W
Üresjárat fordulatszám 1. Fokozat	0-1000 min ⁻¹	0-1000 min ⁻¹
Üresjárat fordulatszám 2. Fokozat	0-3000 min ⁻¹	0-3000 min ⁻¹
Fordulatszám terhelés alatt 1. Fokozat	0-680 min ⁻¹	0-680 min ⁻¹
Fordulatszám terhelés alatt 2. Fokozat	0-2000 min ⁻¹	0-2000 min ⁻¹
Ütésszám terhelés alatt max.	38000 min ⁻¹	38000 min ⁻¹
Ütésszám max.	57000 min ⁻¹	57000 min ⁻¹
Statikus blokkoló mozgás	56/30 Nm	60/33 Nm
Furat-Ø betonba	20 mm	22 mm
Furat-Ø téglába és mészkőbe	22 mm	24 mm
Furat-Ø acélba	13 mm	16 mm
Furat-Ø fába	40 mm	40 mm
Befogási tartomány	1,5-13 mm	1,5-13 mm
Fúrótengely	1/2" - 20 UNF	1/2" - 20 UNF
Feszítőnyak-Ø	43 mm	43 mm
Súly a 01/2003 EPTA-eljárás szerint	2,7 kg	2,9 kg
Zajinformáció A közölt értékek megfelelnek az EN 60745 szabványnak. A készülék munkahelyi zajszintje tipikusan:		
Hangnyomás szint (K bizonytalanság=3dB(A))	100,0 dB (A)	94,0 dB (A)
Hangteljesítmény szint (K bizonytalanság=3dB(A))	111 dB (A)	105 dB (A)
Hallásvédő eszköz használata ajánlott!		
Vibráció-információk Összesített rezgésértékek (három irány vektoriális összeg az EN 60745-nek megfelelően meghatározva.)		
Fúrás fémben: rezgésemisszió érték $a_{h,D}$	2,7 m/s ²	3,5 m/s ²
K bizonytalanság	1,5 m/s ²	1,5 m/s ²
Ütvefűrés betonban: rezgésemisszió érték $a_{h,10}$	13,4 m/s ²	12,2 m/s ²
K bizonytalanság	1,5 m/s ²	1,5 m/s ²
Csavarozás ütés nélkül: rezgésemisszió érték a_h	1,1 m/s ²	1,8 m/s ²
K bizonytalanság	1,5 m/s ²	1,5 m/s ²



FIGYELMEZTETÉS!

A jelen utasításokban megadott rezgésszint értéke az EN 60745-ben szabályozott mérési eljárásnak megfelelően került leírásra, és használható elektromos szerszámokkal történő összehasonlításhoz. Az érték alkalmas a rezgésterhelés előzetes megbecsülésére is. A megadott rezgésszint-érték az elektromos szerszám legfőbb alkalmazásait reprezentálja. Ha az elektromos szerszámot azonban más alkalmazásokhoz, eltérő használt szerszámokkal vagy nem elegendő karbantartással használják, a rezgésszint értéke eltérő lehet. Ez jelentősen megnövelheti a rezgésterhelést a munkavégzés teljes időtartama alatt.

A rezgésterhelés pontos megbecsüléséhez azokat az időket is figyelembe kell venni, melyekben a készülék lekapcsolódik, vagy ugyan működik, azonban ténylegesen nincs használatban. Ez jelentősen csökkentheti a rezgésterhelést a munkavégzés teljes időtartama alatt. Határozzon meg további biztonsági intézkedéseket a kezelő védelmére a rezgések hatása ellen, például: az elektromos és a használt szerszámok karbantartásával, a kezek melegen tartásával, a munkafolyamatok megszervezésével.

▲ FIGYELMEZTETÉS! Olvasson el minden biztonsági útmutatót és utasítást. A következőkben leírt előírások betartásának elmulasztása áramütésekhez, tűzhöz és/vagy súlyos testi sérülésekhez vezethet.

Kérjük a későbbi használatra gondosan őrizze meg ezeket az előírásokat.

▲ BIZTONSÁGI ÚTMUTATÁSOK FŰRÖGÉPEKHEZ

Ütvefűráskor viseljen hallásvédőt. A zaj hatása hallásvesztést okozhat.

Használja a készülékkel együtt szállított kézfoganyitukat. A készülék fölötti ellenőrzés elvesztése sérüléseket okozhat.

Az elektromos kéziszerszámot csak a szigetelt fogantyúfelületeknél fogva tartsa, ha olyan munkát végez, amelynek során a betétszerszám feszültség alatt álló, kívülről nem látható vezetékhez, vagy a készülék saját hálózati csatlakozó kábeljéhez érhet. A vágószerszám feszültségvezető vezetékkel való érintkezésekor a készülék fém részei is feszültség alá kerülhetnek, és elektromos áramütés következhet be.

▲ BIZTONSÁGI ÚTMUTATÁSOK CSAVAROZÓGÉPEKHEZ

A készüléket a szigetelt markolatfelületeket fogva tartsa, ha olyan munkálatokat végez, melyeknél a csavar rejtezt elektromos vezetékbe vagy saját vezetékébe ütközhet. A csavar feszültségvezető vezetékkel érintkezve fém alkatrészeket helyezhet feszültség alá, és elektromos áramütést idézhet elő.

További biztonsági és munkavédelmi utasítások

Használjon védőfelszerelést! Ha a gépen dolgozik, mindig hordjon védőeszményvetőt! Javasoljuk a védőruházat, úgymint porvédő maszk, védőcipő, erős és csúszásbiztos lábbeli, sisak és hallásvédő használatát.

Munka közben a hálózati csatlakozókábel a sérülés elkerülése érdekében a munkaterülettől, illetve a készüléktől távol kell tartani. Nem szabad olyan anyagokat megmunkálni, amelyek egészségre veszélyesek (pl. aszbeszt).

Falban, földben, aljzatban történő fúrásnál fokozottan ügyelni kell az elektromos-, víz- és gázvezetésekre.

Biztosítsa a munkadarabot befogó szerkezettel. A nem biztosított munkadarabok súlyos sérüléseket és károkat okozhatnak.

A betétszerszám elakadásakor azonnal ki kell kapcsolni a készüléket! Addig ne kapcsolja vissza a készüléket, amíg a betétszerszám elakadása fennáll; ennek során nagy ellennyomatékú visszarúgás történhet. Határozza és szüntesse meg a betétszerszám elakadásának okát a biztonsági útmutatások betartása mellett.

Ennek a következők lehetnek az okai:

- a szerszám elakad a megmunkálendő munkadarabban
- A megmunkálendő anyag átszakadt
- az elektromos szerszám túlterhelése

Ne nyúljon a járó géphe.

A betétszerszám az alkalmazás során felforrósodhat.

- FIGYELMEZTETÉS!** Egési sérülések veszélye
- szerszámcserekor
 - a készülék lerakásakor

A munka közben keletkezett forgácsokat, szilánkokat, törmelékét, stb. csak a készülék teljes leállása után szabad a munkaterületről eltávolítani.

Bármilyen jellegű karbantartás vagy javítás előtt a készüléket áramtalanítani kell.

RENDELTELTÉSSZERŰ HASZNÁLAT

Az elektronikus útvefűró/csavarozó általánosan használható fűráshoz, útvefűráshoz, csavarozáshoz és menetvágáshoz.

CE-AZONOSSÁGI NYILATKOZAT

Kizárólagos felelősségünk alapján kijelentjük, hogy a „Műszaki adatok” fejezetben leírt termék megfelel a irányelvek összes vonatkozó rendelkezésének:

2011/65/EU (RoHS)
2014/30/EU
2006/42/EK
harmonizált szabvány és a
EN 60745-1:2009 + A11:2010
EN 60745-2-1:2010
EN 60745-2-2:2010
EN 55014-1:2006 + A1:2009 + A2:2011
EN 55014-2:1997 + A1:2001 + A2:2008
EN 61000-3-3:2014
EN 61000-3-3:2013
EN 50581:2012



Winnenden, 2016-03-25

Alexander Krug / Managing Director
Műszaki dokumentáció összeállításra felhatalmazva
Techtronic Industries GmbH
Max-Eyth-Straße 10, 71364 Winnenden, Germany

HÁLÓZATI CSATLAKOZTATÁS

Szabadban a dugaljat hibaáram-védőkapcsolóval kell ellátni. Az elektromos készülékek üzembiztonsági útmutatása ezt kötelezően előírja (FI, RCD, PRCD). Ügyeljen erre az elektromos kéziszerszámok használatakor is.

A készüléket csak egyfázisú váltóáramra és a teljesítménytáblán megadott hálózati feszültségre csatlakoztassa. A csatlakoztatás védőérintkező nélküli dugaszolóaljzatokra is lehetséges, mivel a készülék felépítése II. védettségi osztályú.

A készüléket csak kikapcsolt állapotban szabad ismét áram alá helyezni.

KARBANTARTÁS

A készülék szellőzőnyílásait mindig tisztán kell tartani.

Gyakori útvefűrés esetén a tokmányt időről-időre meg kell tisztítani. A tisztításhoz fordítsa a készüléket tokmánnyal lefelé és a tokmányt teljes befogási tartományban nyissa, illetve zárja. Az összegyűlt por kihullik a tokmányból. Tisztítóspray (4932 6217 19) rendszeres használata a fészítőpofák és furatok tisztításához ajánlott.

Ha a hálózati csatlakozóvezeték megsérült, akkor azt ügyfélszolgálati hely által kell kicseréltetni, mert ahhoz speciális szerszám szükséges.

Javításhoz, karbantartáshoz kizárólag AEG alkatrészeket és tartozékokat szabad használni. A készülék azon részeinek cseréjét,

amit a kezelési útmutató nem engedélyez, kizárólag a javításra feljogosított márkaszervíz végezheti. (Lásd a szervízlistát)

Szükség esetén a készülékek robbantott ábráját - a készülék típusa és azonosító száma alapján a területileg illetékes Milwaukee márkaszerviztől vagy közvetlenül a gyártótól (Techtronic Industries GmbH, Max-Eyth-Straße 10, 71364 Winnenden, Germany) lehet kérni.

SZIMBÓLUMOK



FIGYELEM! FIGYELMEZTETÉS! VESZÉLY!



Bármilyen jellegű karbantartás vagy javítás előtt a készüléket áramtalanítani kell.



Kérjük alaposan olvassa el a tájékoztatót mielőtt a gépet használja.



Azokat a tartozékokat, amelyek gyárilag nincsenek a készülékhez mellékelve, külön lehet megrendelni.



Az elektromos eszközöket nem szabad a háztartási hulladékkal együtt ártalmatlanítani. Az elektromos és elektronikus eszközöket szelektíven kell gyűjteni, és azokat környezetbarát ártalmatlanítás céljából hulladékhasznosító üzemben kell leadni. A helyi hatóságoknál vagy szakkereskedőjénél tájékozódjon a hulladékudvarokról és gyűjtőhelyekről.



II. védelmi osztályú elektromos szerszám. Olyan elektromos szerszám, amelynél az elektromos áramütés elleni védelem nem csak az alapszigeteléstől függ, hanem amelyben kiegészítő védőintézkedéseket, mint pl. kettős szigetelés vagy megerősített szigetelés, alkalmaznak.



CE-jelölés



UkrSEPRO megfelelőségi jelzés.



Eurázsiai megfelelőségi jelzés.



TEHNIČNI PODATKI Udarni vrtnalniki	SB2E 850 R	SB2E 1100 RV
Proizvodna številka	4473 61 02... ... 000001-999999	4473 76 02... ... 000001-999999
Nazivna sprejemna moč	850 W	1100 W
Oddajna zmogljivost	460 W	600 W
Število vrtljajev v prostem teku 1. prestava	0-1000 min ⁻¹	0-1000 min ⁻¹
Število vrtljajev v prostem teku 2. prestava	0-3000 min ⁻¹	0-3000 min ⁻¹
Število vrtljajev pri obremenitvi 1. prestava	0-680 min ⁻¹	0-680 min ⁻¹
Število vrtljajev pri obremenitvi 2. prestava	0-2000 min ⁻¹	0-2000 min ⁻¹
Bremensko število udarcev maks.	38000 min ⁻¹	38000 min ⁻¹
Število udarcev maks.	57000 min ⁻¹	57000 min ⁻¹
Statični blokirni moment	56/30 Nm	60/33 Nm
Vrtnalni ø v betonu	20 mm	22 mm
Vrtnalni ø v opeki in apnenem peščencu	22 mm	24 mm
Vrtnalni ø v jeklu	13 mm	16 mm
Vrtnalni ø v lesu	40 mm	40 mm
Napenjalno področje vpenjalne glave	1,5-13 mm	1,5-13 mm
Vrtnalo vreteno	1/2" - 20 UNF	1/2" - 20 UNF
Vpenjalni vrat ø	43 mm	43 mm
Teža po EPTA-proceduri 01/2003	2,7 kg	2,9 kg
Informacije o hrupnosti Vrednosti merjenja ugotovljene ustrezno z EN 60745. Raven hrupnosti naprave ovrednotena z A, znaša tipično:		
Nivo zvočnega tlaka (Nevarnost K=3dB(A))	100,0 dB (A)	94,0 dB (A)
Višina zvočnega tlaka (Nevarnost K=3dB(A))	111 dB (A)	105 dB (A)
Nosite zaščito za sluh!		
Informacije o vibracijah Skupna vibracijska vrednost (Vektorska vsota treh smerdoločena ustrezno EN 60745.		
Vrtanje v kovine: Vibracijska vrednost emisij a _{h,D}	2,7 m/s ²	3,5 m/s ²
Nevarnost K=	1,5 m/s ²	1,5 m/s ²
Udarno vrtanje v beton: Vibracijska vrednost emisij a _{h,10}	13,4 m/s ²	12,2 m/s ²
Nevarnost K=	1,5 m/s ²	1,5 m/s ²
Vijačenje brez udarnega učinka: Vibracijska vrednost emisij a _h	1,1 m/s ²	1,8 m/s ²
Nevarnost K=	1,5 m/s ²	1,5 m/s ²

OPOZORILO!

V teh navodilih navedena raven tresljajev je bila izmerjena po EN60745 normiranem merilnem postopku in lahko služi medsebojni primerjavi električnih orodij. Prav tako je primeren za predhodno oceno obremenitve s tresljaji.

Navedena raven tresljajev navaja najpomembnejše vrste rabe električnega orodja. Kadar se električno orodje uporablja za drugačne namene, z odstopajočimi orodji ali pa z nezadostnim vzdrževanjem, lahko raven tresljajev tudi odstopa. Le to lahko čez celoten delovni čas znatno zviša obremenitev s tresenjem.

Za natančno oceno obremenitve s tresljaji naj bi se upošteval tudi čas v katerem je naprava izklopljena ali sicer teče, vendar dejansko ni v rabi. Le to lahko obremenitev s tresljaji čez celoten delovni čas znatno zmanjša.

Za zaščito upravljalca pred učinkom tresljajev uvedite dodatne zaščitne ukrepe npr.: Vzdrževanje električnega orodja in orodja, delo s toplimi rokami, organizacija delovnih potekov.

⚠ OPOZORILO! Preberite vsa varnostna opozorila in navodila. Napake zaradi neupoštevanja spodaj navedenih opozoril in napotil lahko povzročijo električni udar, požar in/ali težke telesne poškodbe.

Vsa opozorila in napotila shranite, ker jih boste v prihodnje še potrebovali.

⚠ VARNOSTNI NAPOTKI ZA VRTALNI STROJ

Pri udarnemu vrtenju nosite glušnik. Hrup lahko povzroči izgubo sluha.

Uporabite dodatne ročaje, ki so dobavljeni skupaj z napravo. Izguba kontrole lahko povzroči poškodbe.

Če izvajate dela, pri katerih bi lahko vstavno orodje zadelo ob skrite električne vodnike ali ob lastni omrežni kabel, držite električno orodje samo za izolirane ročaje. Stik rezalnega orodja z napetostnim vodnikom napeljave lahko privede kovinske dele naprave pod napetost in vodi do električnega udara.

⚠ VARNOSTNI NAPOTKI ZA VRTALNIK

Kadar izvajate dela pri katerih lahko orodje zadane prikrito električno napeljavo ali lasten vodnik, je napravo potrebno držati za izolirane prijemalne površine. Stik svedra z električnim vodnikom lahko kovinske deli naprave spravi pod napetost in vodi do električnega udara.

Nadaljna varnostna in delovna opozorila

Uporabite zaščitno opremo. Pri delu s strojem vedno nosite zaščitna očala. Priporočajo se zaščitna oblačila, kot npr. maska za zaščito proti prahu, zaščitne rokavice, trdno in neдрсеče obuvalo, čelada in zaščitna za sluh.

Vedno pazite, da se priključni kabel ne približa področju delovanja stroja. Kabel vedno vodite za strojem.

Obdelava materialov, iz katerih izhaja ogroženost zdravja (npr. azbest), ni dovoljena.

Pri delih na steni, stropu ali v tleh pazite na električne kable, plinske in vodne napeljave.

Obdelovanec zavarujte z vpenjalno pripravo. Nezavarovani obdelovanci lahko povzročijo težke poškodbe in okvare.

V primeru blokade orodja napravo takoj izklopite! Naprave ponovno ne vklopljajte dokler je orodje blokirano; pri tem bi lahko prišlo do povratnega udara z velikim reakcijskim momentom. Ugotovite in odpravite vzroke blokade orodja ob upoštevanju varnostnih navodil.

Možni vzroki so lahko:

- Zagozditev v obdelovanču
- Preoboj obdelovanega materiala
- Preobremenitev električnega orodja

Ne segajte v stroj v teku.

Orodje lahko med uporabo postane vroče.

OPOZORILO! Nevarnost opeklin

- pri menjavi orodja
- pri odlaganju naprave

Trske ali iveri se pri tekočem stroju ne smejo odstranjevati.

Pred vsemi deli na stroju izvlecite vtičak iz vtičnice.

UPORABA V SKLADU Z NAMEMBOSTJO

Elektronski udarni vrtalnik je univerzalno uporaben za vrtnanje, udarno vrtnanje, vijachenje in za zarezovanje navojev.

CE-IZJAVA O KONFORMNOSTI

S polno odgovornostjo izjavljamo, da izdelek, opisan pod „Tehnični podatki“ izpolnjuje vse ustrezne določbe direktiv:

2011/65/EU (RoHS)

2014/30/EU

2006/42/ES

ter da so bili uporabljeni naslednji harmonizirani standardi

EN 60745-1:2009 + A11:2010

EN 60745-2-1:2010

EN 60745-2-2:2010

EN 55014-1:2006 + A1:2009 + A2:2011

EN 55014-2:1997 + A1:2001 + A2:2008

EN 61000-3-2:2014

EN 61000-3-3:2013

EN 50581:2012



Winnenden, 2016-03-25

Alexander Krug / Managing Director

Pooblaščen za izdelavo spisov tehnične dokumentacije.

Techtronic Industries GmbH

Max-Eyth-Straße 10, 71364 Winnenden, Germany

OMREŽNI PRIKLJUČEK

Vtičnice v zunanjem področju morajo biti opremljene z zaščitnimi stikali za okvarni tok (FI, RCD, PRCD). To zahteva instalacijski predpis za vašo električno napravo. Prosimo, da to pri uporabi naše naprave upoštevate.

Priključite samo na enofazni izmenični tok in samo na omrežno napetost, ki je označena na tipski ploščici. Priključitev je možna tudi na vtičnice brez zaščitnega kontakta, ker obstaja nadgradnja zaščitnega razreda.

Stroj priklopite na vtičnico samo v izklopljenem stanju.

VZDRŽEVANJE

Pazite na to, da so prezačevalne reže stroja vedno čiste.

Pri pogostem obratovanju udarnega vrtnanja z vpenjalne glave redno očistite prah. V ta namen vrtalno vpenjalno glavo držite navpično navzdol ter odprite in zaprite vpenjalno glavo preko celotnega napenjalnega področja. Prah, ki se je nabral, tako pade iz vrtalne vpenjalne glave. Priporoča se redna uporaba čistilnega spreja (ld. št. 4932 6217 19) na napenjalnih čeljustih in na vrtnah napenjalnih čeljusti.

V kolikor je priključni omrežni vodnik poškodovan, ga je potrebno s strani servisne službe nadomestiti, ker je za ta namen potrebno posebno orodje.

Uporabljajte samo AEG pribor in nadomestne dele. Poskrbite, da sestavne dele, katerih zamenjava ni opisana, zamenjajo v AEG servisni službi (upoštevajte brošuro Garancija/Naslovi servisnih služb).

Po potrebi se lahko pri vaši servisni službi ali direktno pri Techtronic Industries GmbH naroči eksplozijska risba naprave ob navedbi tipa stroja in številke s tipske ploščice Techtronic Industries GmbH, Max-Eyth-Straße 10, 71364 Winnenden, Germany.



SIMBOLI



POZOR! OPOZORILO! NEVARNO!



Pred vsemi deli na stroju izvlecite vtikač iz vtičnice.



Prosimo, da pred uporabo pozorno preberete to navodilo za uporabo.



Oprema – ni vsebovana v obsegu dobave, priporočeno dopolnilo iz programa opreme.



Električnih naprav ni dovoljeno odstranjevati skupaj z gospodinjskimi odpadki. Električne in elektronske naprave je potrebno zbirati ločeno in za okolju prijazno odstranitev, oddati podjetju za reciklažo. Pri krajevnem uradu ali vašem strokovnem prodajalcu se pozanimajte glede reciklažnih dvorišč in zbirnih mest.



Električno orodje zaščitnega razreda II. Električno orodje, pri katerem zaščita pred električnim udarom ni odvisna zgolj od osnovne izolacije, temveč tudi od tega, da so uporabljeni dodatni ukrepi, kot dvojna ali okrepljena izolacija.



CE-znak



UkrSEPRO oznaka o skladnosti.



EurAsian oznaka o skladnosti.



TEHNIČKI PODACI Udarna bušilica	SB2E 850 R	SB2E 1100 RV
Broj proizvodnje	4473 61 02... ... 000001-999999	4473 76 02... ... 000001-999999
Snaga nominalnog prijema	850 W	1100 W
Predajni učinak	460 W	600 W
Broj okretaja praznog hoda 1. Brzina	0-1000 min ⁻¹	0-1000 min ⁻¹
Broj okretaja praznog hoda 2. Brzina	0-3000 min ⁻¹	0-3000 min ⁻¹
Broj okretaja pod opterećenjem 1. Brzina	0-680 min ⁻¹	0-680 min ⁻¹
Broj okretaja pod opterećenjem 2. Brzina	0-2000 min ⁻¹	0-2000 min ⁻¹
Broj udaraca pod opterećenjem max.	38000 min ⁻¹	38000 min ⁻¹
Broj udaraca max.	57000 min ⁻¹	57000 min ⁻¹
Statični moment blokiranja	56/30 Nm	60/33 Nm
Bušenje- \emptyset u beton	20 mm	22 mm
Bušenje- \emptyset u opeku i silikatnu opeku	22 mm	24 mm
Bušenje- \emptyset u čelik	13 mm	16 mm
Bušenje- \emptyset u drvo	40 mm	40 mm
Područje stezne glave za stezanje svrdla	1,5-13 mm	1,5-13 mm
Vreteno za bušenje	1/2" - 20 UNF	1/2" - 20 UNF
Stezno grlo- \emptyset	43 mm	43 mm
Težina po EPTA-proceduri 01/2003	2,7 kg	2,9 kg
Informacije o buci		
Mjerne vrijednosti utvrđene odgovarajuće EN 60745. A-ocijenjeni nivo buke aparata iznosi tipično:		
Nivo pritiska zvuka (Nesigurnost K=3dB(A))	100,0 dB (A)	94,0 dB (A)
Nivo učinka zvuka (Nesigurnost K=3dB(A))	111 dB (A)	105 dB (A)
Nositi zaštitu sluha!		
Informacije o vibracijama		
Ukupne vrijednosti vibracije (Vektor suma tri smjersu odmjerene odgovarajuće EN 60745)		
Bušenje metala: Vrijednost emisije vibracije $a_{h,D}$	2,7 m/s ²	3,5 m/s ²
Nesigurnost K=	1,5 m/s ²	1,5 m/s ²
Udarno bušenje u betonu: Vrijednost emisije vibracije $a_{h,10}$	13,4 m/s ²	12,2 m/s ²
Nesigurnost K=	1,5 m/s ²	1,5 m/s ²
Navijanje bez udara: Vrijednost emisije vibracije a_h	1,1 m/s ²	1,8 m/s ²
Nesigurnost K=	1,5 m/s ²	1,5 m/s ²

UPOZORENIE!

Ova u ovim uputama navedena razina titranja je bila izmjerena odgovarajuće jednom u EN 60745 normiranom mjernom postupku i može se upotrijebiti za usporedbu električnog alata međusobno. Ona je prikladna i za privremenu procjenu titrajnog opterećenja. Navedena razina titranja reprezentira glavne primjene električnog alata. Ukoliko se električni alat upotrebljava u druge svrhe sa odstupajućim primijenjenim alatima ili nedovoljnim održavanjem, onda razina titranja može odstupati. To može titrajno opterećenje kroz cijeli period rada bitno povisiti.

Za točnu procjenu titrajnog opterećenja se moraju uzeti u obzir i vremena u kojima je uređaj isključen ili u kojima doduše radi, ali nije i stvarno u upotrebi. To može titrajno opterećenje bitno smanjiti za vrijeme cijelog radnog perioda.

Utvrđite dodatne sigurnosne mjere za zaštitu poslužioaca protiv djelovanja titranja kao npr.: Održavanje električnih alata i upotrebljenih alata, održavanje topline ruku, organizacija i radne postupke.



Hrv

⚠ UPOZORENIE! Pročitajte sigurnosne upute i uputnice.

Ako se ne bi poštvale napomene o sigurnosti i upute to bi moglo uzrokovati strujni udar, požar i/ili teške ozljede.

Sačuvajte sve napomene o sigurnosti i upute za buduću primjenu.

⚠ SIGURNOSNE UPUTE ZA BUŠILICE

Kod urednog bušenja nosite zaštitu za sluh. Djelovanje buke može uzrokovati gubitak sluha.

Koristite dodatne drške koje su isporučene sa aparatom. Gubitak kontrole može prouzročiti povrede.

Ako izvodite radove kod kojih bi radni alat mogao zahvatiti skrivene električne vodove ili vlastiti priključni kabel, električni alat držite samo za izolirane ručke. Kontakt rezačkog alata sa vodovima koji sprovode naponm može metalne dijelove sprave dovesti pod napon i tako dovesti do električnog udara.

⚠ SIGURNOSNE UPUTE ZA ZAVRTAČ

Držite spravu na izoliranim držačkim površinama kada izvodite radove kod kojih rezački alat može pogoditi skrivene vodove struje ili osobni kabel. Kontakt rezačkog alata sa vodovima koji sprovode naponm može metalne dijelove sprave dovesti pod napon i tako dovesti do električnog udara.

Ostale sigurnosne i radne upute

Upotrebljavati zaštitnu opremu. Kod radova sa strojem uvijek nositi zaštitne naočale. Preporučuje se zaštitna odjeća, kao zaštitna maska protiv prašine, zaštitne rukavice, čvrste i protiv klizanja sigurne cipele, šljem i zaštitu sluha.

Priključni kabel uvijek držati udaljenim sa područja djelovanja. Kabel uvijek voditi od stroja prema nazad.

Ne smiju se obrađivati nikakvni materijali, od kojih prijeti opasnost po zdravlje (npr. azbest).

Kod radova na zidu, stropu ili podu paziti na električne kablove kao i vodove plina i vode.

Osigurajte vaš izradak jednim steznim uređenjem. Neosigurani izradci mogu prouzročiti teške povrede i oštećenja.

Kod blokiranja alata koji se upotrebljava uređaj molimo odmah isključiti! Uređaj nemojte ponovno uključiti za vrijeme dok je alat koji se upotrebljava blokiran; time može doći do povratnog udara sa visokim reakcijskim momentom. Pronadite i otklonite uzrok blokiranja alata koji se upotrebljava uz poštivanje sigurnosnih uputa.

Mogući uzroci za to mogu biti:

- Izobličavanje u izratku koji se obrađuje
- Proboj materijala koji se obrađuje
- Preopterećenje električnog alata

Nemojte sezati u stroj koji radi.

Upotrebjeni alat se može za vrijeme korištenja zagrijati.

UPOZORENIE! Opasnost od opekotina

- kod promjene alata
- kod odlaganja uređaja

Piljevina ili iverige se za vrijeme rada stroja ne smiju odstranjivati.

Prije radova na stroju izvući utikač iz utičnice.

PROPIISNA UPOTREBA

Elektronski udarni bušač/zavrtač je univerzalno upotrebljiv za bušenje, udarno bušenje, zavrtnanje i rezanje navoja.

CE-IZJAVA KONFORMNOSTI

Izjavljujemo pod vlastitom odgovornošću da proizvod opisan u odjeljku „Tehnički podaci“ ispunjava sve potrebne odredbe smjernica:

2011/65/EU (RoHS)

2014/30/EU

2006/42/EC

i da su korišteni sljedeći usklađeni standardi

EN 60745-1:2009 + A11:2010

EN 60745-2-1:2010

EN 60745-2-2:2010

EN 55014-1:2006 + A1:2009 + A2:2011

EN 55014-2:1997 + A1:2001 + A2:2008

EN 61000-3-2:2014

EN 61000-3-3:2013

EN 50581:2012



Winnenden, 2016-03-25

Alexander Krug / Managing Director

Ovlašten za formiranje tehničke dokumentacije.

Techtronic Industries GmbH

Max-Eyth-Straße 10, 71364 Winnenden, Germany

PRIKLJUČAK NA MREŽU

Utičnice na vanjskom području moraju biti opremljene zaštitnim prekidačima za pogrešnu struju (FI, RCD, PRCD). To zahtjeva instalacijski propis za električne uređaje. Molimo da ovo poštujete prilikom upotrebe našeg aparata.

Priključiti samo na jednofaznu naizmjeničnu struju i samo na napon struje, naveden na pločici snage. Priključak je moguć i na utičnice bez zaštitnog kontakta, jer postoji dogradnja zaštitne klase II.

Samo isključeni stroj priključiti na utičnicu.

ODRŽAVANJE

Prereze za prozračivanje stroja uvijek držati čistima.

Kod čestog pogona bušenja udaranjem stezna glava se mora redovno osloboditi od prašine. K tome stroj sa steznom glavom držati okomito na dolje i steznu glavu preko cijelog područja stezanja otvoriti i zatvoriti. Nakupljena prašina tako ispada iz stezne glave. Redovna primjena sprava za čišćenje (Id.br. 4932 6217 19) na steznim čeljustima i bušenjima steznih čeljusti se preporučuje.

Ako je mrežni priključni vod oštećen, mora se od strane servisa zamijeniti, zato što je za to potreban specijalan alat.

Primijeniti samo AEG opremu i rezervne dijelove. Sastavne dijelove, čija zamjena nije opisana, dati zamijeniti kod jedne od AEG servisnih službi (poštivati brošuru Garancija/Adrese servisa).

Po potrebi se može zatražiti crtež eksplozije aparata uz davanje podataka o tipu stroja i desetoznamenkastog broja na pločici snage kod Vaše servisne službe ili direktno kod Techtronic Industries GmbH, Max-Eyth-Straße 10, 71364 Winnenden, Germany.



Hrv

SIMBOLI



PAŽNJA! UPOZORENIE! OPASNOST!



Prije radova na stroju izvući utikač iz utičnice.



Molimo da pažljivo pročitate uputu o upotrebi prije puštanja u rad.



Oprema - u opsegu isporuke nije sadržana, preporučena dopuna iz promograma opreme.



Električni uređaji se ne smiju zbrinjavati skupa sa kućnim smećem. Električni uređaji se moraju skupljati odvojeno i predati na zbrinjavanje primjereno okolišu jednom od pogona za iskorišćavanje. Raspitajte se kod mjesnih vlasti ili kod stručnog trgovca u svezi gospodarstva za recikliranje i mjesta skupljanja.



Električni alat zaštitne kategorije II. Električni alat, čija zaštita od jednog električnog udara ne zavisi samo od osnovne izolacije, već i od toga, da se primijene dodatne zaštitne mjere, kao što su dvostruka izolacija ili pojačana izolacija.



Oznaka-CE



UkrSEPRO znak konformnosti.



EurAsian znak konformnosti.



TEHNISKIE DATI Sitamais urbis	SB2E 850 R	SB2E 1100 RV
Izlaides numurs	4473 61 02... ... 000001-999999	4473 76 02... ... 000001-999999
Nominālā atdotā jauda	850 W	1100 W
Cietkoks	460 W	600 W
Tukšgaitas apgriezienu skaits 1. ātrums	0-1000 min ⁻¹	0-1000 min ⁻¹
Tukšgaitas apgriezienu skaits 2. ātrums	0-3000 min ⁻¹	0-3000 min ⁻¹
Apgriezienu skaits ar slodzi 1. ātrums	0-680 min ⁻¹	0-680 min ⁻¹
Apgriezienu skaits ar slodzi 2. ātrums	0-2000 min ⁻¹	0-2000 min ⁻¹
Sitienu biežums ar slodzi maksimālais	38000 min ⁻¹	38000 min ⁻¹
sitienu biežums maksimālais	57000 min ⁻¹	57000 min ⁻¹
statiskais bloķēšanas moments	56/30 Nm	60/33 Nm
Urbšanas diametrs betonā	20 mm	22 mm
Urbšanas diametrs kļieģeļos un kalķsmilšakmeni	22 mm	24 mm
Urbšanas diametrs tēraudā	13 mm	16 mm
Urbšanas diametrs kokā	40 mm	40 mm
Urbja stiprinājuma amplitūda	1,5-13 mm	1,5-13 mm
Urbja vārpsta	1/2" - 20 UNF	1/2" - 20 UNF
Kakla diametrs	43 mm	43 mm
Svars atbilstoši EPTA -Procedure 01/2003	2,7 kg	2,9 kg
Trokšņu informācija		
Vērtības, kas noteiktas saskaņā ar EN 60745. A novērtētās aparatūras skaņas līmenis ir:		
Trokšņa spiediena līmenis (Nedrošība K=3dB(A))	100,0 dB (A)	94,0 dB (A)
Trokšņa jaudas līmenis (Nedrošība K=3dB(A))	111 dB (A)	105 dB (A)
Nēsāt trokšņa slāpētāju!		
Vibrāciju informācija		
Svārstību kopējā vērtība (Trīs virzienu vektoru summtiek noteikta atbilstoši EN 60745).		
Metāla urbis: svārstību emisijas vērtība $a_{h,D}$	2,7 m/s ²	3,5 m/s ²
Nedrošība K=	1,5 m/s ²	1,5 m/s ²
Betona elektriskais urbis: svārstību emisijas vērtība $a_{h,10}$	13,4 m/s ²	12,2 m/s ²
Nedrošība K=	1,5 m/s ²	1,5 m/s ²
Skrūvju skrūvēšana bez trieciena funkcijas: svārstību emisijas vērtība a_h	1,1 m/s ²	1,8 m/s ²
Nedrošība K=	1,5 m/s ²	1,5 m/s ²

UZMANĪBU!

Instrukcijā norādītā svārstību robežvērtība ir izmērīta mērījumu procesā, kas veikts atbilstoši standartam EN 60745, un to var izmantot elektroinstrumentu savstarpējai salīdzināšanai. Tā ir piemērota arī svārstību noslogojuma pagaidu izvērtēšanai.

Norādītā svārstību robežvērtība ir reprezentatīva elektroinstrumenta pamata pielietojuma jomām. Tomēr, ja elektroinstrumenti tiek pielietoti citās jomās, papildus izmantojot neatbilstošus elektroinstrumentus vai pēc nepietiekamas tehniskās apkopes, tad svārstību robežvērtība var atšķirties. Tas var ievērojami palielināt svārstību noslogojumu visa darba laikā.

Precīzai svārstību noslogojuma noteikšanai, ir jāņem vērā arī laiks, kad ierīces ir izslēgta vai arī ir ieslēgta, tomēr faktiski netiek lietota. Tas var ievērojami samazināt svārstību noslogojumu visa darba laikā.

Integrējiet papildus drošības pasākumus pret svārstību ietekmi lietotājam, piemēram: elektroinstrumentu un darba instrumentu tehniskā apkope, roku siltuma uzturēšana, darba procesu organizācija.

⚠ UZMANĪBU! Izlasiet visu drošības instrukciju un lietošanas pamācību klāt. Šeit sniegto drošības noteikumu un norādījumu neievērošana var izraisīt aizdegšanos un būt par cēloni elektriskajam triecienam vai nopietnam savainojumam. **Pēc izlasīšanas uzglabājiet šos noteikumus turpmākai izmantošanai.**

⚠ DROŠĪBAS NOSACĪJUMI LIETOJOT URBJMAŠĪNAS

Lietojiet dzirdes aizsargu, izmantojot āmururbi. Trokšņa iedarbība var izraisīt dzirdes zudumu.

Lietojiet instrumentam pievienotos papildus rokturus. Zaudējot kontroli, var gūt ievainojumus.

Ja darbinstruments var skart slēptu elektropārvades līniju vai instrumenta elektrokabeli, darba laikā turiet elektroinstrumentu aiz izolētajiem rokturiem, nepieskaroties metāla daļām. Šī instrumenta saskare ar strāvu vadošiem kabeļiem var radīt spriegumu arī ierīces metāliskajās daļās un var izraisīt elektrisko triecienu.

⚠ DROŠĪBAS NOSACĪJUMI LIETOJOT SKRŪVGRIEŽŅUS

Turiet ierīci aiz izolētajām turēšanas virsmām, veicot darbu, kur skrūve var skart apslēptus elektrības vadus. Skrūves kontakts ar spriegumu vadošu vadu var ierīces metāla daļās uzlādēt un novest pie elektriskās strāvas trieciena.

Citas drošības un darba instrukcijas

Jāizmanto aizsargapriekojums. Strādājot ar mašīnu, vienmēr jānēsā aizsargbrilles. Ieteicams nēsāt aizsargapģērbu, kā piemēram, aizsargmasku, aizsargcimdus, kurpes no stingra un neslidīga materiāla, ķiveri un ausu aizsargus.

Pievienojuma kabeli vienmēr turēt atstatu no mašīnas darbības lauka. Kabelim vienmēr jāatrodas aiz mašīnas.

Nedrīkst apstrādāt materiālus, kas rada draudus veselībai (piemēram, azbestu).

Veicot darbus sienu, griestu un grīdas apvidū, vajag uzmanīties, lai nesabojātu elektriskos, gāzes un ūdens vadus.

Fiksējiet apstrādājamo materiālu ar fiksācijas aprīkojumu. Nenostiprināti materiāli var izraisīt smagus savainojumus un bojājumus.

Ja izmantojamais darba rīks tiek bloķēts, nekavējoties izslēgt ierīci! Neieslēdziet ierīci, kamēr izmantojamais darba rīks ir bloķēts; var rasties atsitieni ar augstu griezes momentu. Noskaidrojiet un novērsiet izmantotajā darba rīka bloķēšanas iemeslu, ievērojot visas drošības norādes.

Automātiskās apstāšanās iespējamie iemesli:

- iesprūdis apstrādājamajā materiālā
- Apstrādājamā materiāla caururbšana
- elektroinstrumenti ir pārslogots

Leslēgtai ierīcei nepieskarieties.

Izmantojamais darba rīks darba gaitā var stipri sakarst.

UZMANĪBU! Bīstamība apdedzināties

- veicot darba rīka nomaiņu
- noliekot iekārtu

Skaidas un atlūzas nedrīkst ņemt ārā, kamēr mašina darbojas.

Pirms jebkādiem darbiem, kas attiecas uz mašīnas apkopi, mašīnu noteikti vajag atvienot no kontaktlīdzgads.

NOTEIKUMIEM ATBILSTOŠS IZMANTOJUMS

Elektroniskā triecienurbjmašīna / skrūvgrieznis ir universāli izmantojams urbšanai, urbšanai ar perforāciju, skrūvēšanai un vītnes griešanai.

ATBILSTĪBA CE NORMĀM

Mēs ar pilnu atbildību paziņojam, ka izstrādājums, kas raksturots sadaļā „Tehniskie dati”, atbilst visām attiecīgajām prasībām direktīvās:

2011/65/EU (RoHS)

2014/30/EU

2006/42/EC

un ir piemēroti šādi saskaņotie standarti

EN 60745-1:2009 + A1:2009 + A2:2010

EN 60745-2-1:2010

EN 60745-2-2:2010

EN 55014-1:2006 + A1:2009 + A2:2011

EN 55014-2:1997 + A1:2001 + A2:2008

EN 61000-3-2:2014

EN 61000-3-3:2013

EN 50581:2012



Winnenden, 2016-03-25

Alexander Krug / Managing Director

Pilnvarotais tehniskās dokumentācijas sastādīšana.

Techtronic Industries GmbH

Max-Eyth-Straße 10, 71364 Winnenden, Germany

TĪKLA PIESLĒGUMS

Kontaktlīdzgādā, kas atrodas ārpus telpām jābūt aprīkotām ar automātiskiem drošinātājslēdzīem, kas nostrādā, ja strāvas plūsmā radušies (FI, RCD, PRCD) bojājumi. To pieprasā jūsu elektroiekārtas instalācijas noteikumi. Lūdzu, to ņemt vērā, izmantojot mūsu instrumentus.

Pieslēgt tikai vienviela maiņstrāvas tīklam un tikai spriegumam, kas norādīts uz jaudas paneļa. Pieslēgums iespējams arī kontaktlīdzgādā bez aizsargkontaktiem, jo runa ir par uzbūvi, kas atbilst II. aizsargklasei.

Mašīnu pievienot kontaktlīdzgādā tikai izslēgtā stāvoklī.

APKOPE

Vajag vienmēr uzmanīt, lai būtu tīras dzesēšanas atveres.

Ja bieži tiek izmantota perforācijas darbība, tad urbja stiprinājums ir regulāri jāattīra no putekļiem. Šim nolūkam mašīna jātur ar stiprinājumu uz leju un stiprinājums maksimāli jāatskrūvē un jāaizskrūvē. Tādējādi putekļi, kas sakrājušies tajā, var iznākt ārā. Ieteicams regulāri izmantot tīrītāju (n.p.k. 4932 6217 19), lai iztīrītu

Ja ir bojāts tīkla pieslēguma vads, tad tā apmaiņa jānodrošina klientu apkalpošanas servisam, kuram ir nepieciešami speciālie darba rīki. Izmantojiet tikai firmu AEG piederumus un firmas rezerves daļas. Lieciet nomainīt detaļas, kuru nomaiņa nav aprakstīta, kādā no fir-



mu AEG klientu apkalpošanas servisiem. (Skat. brošūru „Garantija/klientu apkalpošanas serviss“.)

Ja nepieciešams, klientu apkalpošanas servisā vai tieši pie firmas Techtronic Industries GmbH, Max-Eyth-Straße 10, 71364 Winnenden, Germany, var pieprasīt instrumenta numurs, kas norādīts uz jaudas paneļa.

SIMBOLI



UZMANĪBU! BĪSTAMI!



Pirms jebkādiem darbiem, kas attiecas uz mašīnas apkopi, mašīnu noteikti vajag atvienot no kontaktligzdas.



Pirms sākt lietot instrumentu, lūdzu, izlasiet lietošanas pamācību.



Piederumi - standartapriekojumā neietvertās, bet ieteicamās papildus komplektācijas detaļas no piederumu programmas.



Elektroiekārtas nedrīkst izmest kopā ar sadzīves atkritumiem. Elektriskās un elektroniskās iekārtas ir jāsavāc atsevišķi un jānodod pārstrādes uzņēmumam, kas no tām atbrivošies dabai draudzīgā veidā. Meklējiet otrreizējās pārstrādes poligonus un savākšanas punktus vietējās pārvaldes iestādēs vai pie preces pārdevēja.



II aizsardzības klases elektroinstrumenti. Elektroinstrumenti, kuram aizsardzība pret elektrisko triecienu ir atkarīga ne tikai no pamata izolācijas, bet arī no tā, ka tiek piemēroti papildu aizsardzības pasākumi, piemēram, dubultā izolācija vai pastiprināta izolācija.



CE marķējums



TR 066

UkrSEPRO atbilstības marķējums.



EurAsian atbilstības marķējums.

TECHNINIAI DUOMENYS Smūginis gręžtuvas	SB2E 850 R	SB2E 1100 RV
Produkto numeris	4473 61 02... ... 000001-999999	4473 76 02... ... 000001-999999
Vardinė imamoji galia	850 W	1100 W
Išėjimo galia	460 W	600 W
Sūkių skaičius laisva eiga 1. pavara	0-1000 min ⁻¹	0-1000 min ⁻¹
Sūkių skaičius laisva eiga 2. pavara	0-3000 min ⁻¹	0-3000 min ⁻¹
Sūkių skaičius su apkrova 1. pavara	0-680 min ⁻¹	0-680 min ⁻¹
Sūkių skaičius su apkrova 2. pavara	0-2000 min ⁻¹	0-2000 min ⁻¹
Smūgių skaičius su apkrova maks.	38000 min ⁻¹	38000 min ⁻¹
Smūgių skaičius maks.	57000 min ⁻¹	57000 min ⁻¹
Statinis blokavimo momentas	56/30 Nm	60/33 Nm
Gręžimo ø betone	20 mm	22 mm
Gręžimo ø galvutė degtose ir silikatinėse plytose	22 mm	24 mm
Gręžimo ø pliene	13 mm	16 mm
Gręžimo ø medienoje	40 mm	40 mm
Grąžto patrono veržimo diapazonas	1,5-13 mm	1,5-13 mm
Grąžto suklys	1/2" - 20 UNF	1/2" - 20 UNF
Įveržimo ašies ø	43 mm	43 mm
Prietaiso svoris įvertintas pagal EPTA 2003/01 tyrimų metodiką	2,7 kg	2,9 kg
Informacija apie keliamą triukšmą Vertės matuotos pagal EN 60745. Įvertintas A įrenginio keliamo triukšmo lygis dažniausiai sudaro:		
Garso slėgio lygis (Paklaida K=3dB(A))	100,0 dB (A)	94,0 dB (A)
Garso galios lygis (Paklaida K=3dB(A))	111 dB (A)	105 dB (A)
Nešioti klausos apsaugines priemones!		
Informacija apie vibraciją Bendroji svyravimų reikšmė (trijų krypčių vektorių suma), nustatyta remiantis EN 60745.		
Metalo gręžimas: Vibravimų emisijos reikšmė a _{h,d}	2,7 m/s ²	3,5 m/s ²
Paklaida K=	1,5 m/s ²	1,5 m/s ²
Betono perforavimas: Vibravimų emisijos reikšmė a _{h,10}	13,4 m/s ²	12,2 m/s ²
Paklaida K=	1,5 m/s ²	1,5 m/s ²
Nesmūginis varžtų sukimas: Vibravimų emisijos reikšmė a _h	1,1 m/s ²	1,8 m/s ²
Paklaida K=	1,5 m/s ²	1,5 m/s ²



DĖMESIO!

Instrukcijoje nurodyta svyravimų ribinė vertė yra išmatuota remiantis standartu EN 60745; ji gali būti naudojama keliems elektriniams instrumentams palyginti. Ji taikoma ir laikinai įvertinti svyravimų apkrovą.

Nurodyta svyravimų ribinė vertė yra taikoma pagrindinėse elektrinio instrumento naudojimo srityse. Svyravimų ribinė vertė gali skirtis naudojant elektrinį instrumentą kitose srityse, papildomai naudojant netinkamus elektrinius instrumentus arba juos nepakankamai techniškai prižiūrint. Dėl to viso darbo metu gali žymiai padidėti svyravimų apkrova.

Siekiant tiksliai nustatyti svyravimų apkrovą, būtina atsizvelgti ir į laikotarpį, kai įrenginys yra išjungtas arba įjungtas, tačiau faktiškai nenaudojamas. Dėl to viso darbo metu gali žymiai sumažėti svyravimų apkrova.

Siekiant apsaugoti vartotojus nuo svyravimo įtakos naudojamos papildomos saugos priemonės, pavyzdžiui, elektrinių darbo instrumentų techninė priežiūra, rankų šilumos palaikymas, darbo procesų organizavimas.

⚠ DĖMESIO! Perskaitykite visas saugumo pastabas ir nurodymus. Jei nepaisysite žemiau pateiktų saugos nuorodų ir reikalavimų, gali trenkti elektros smūgis, kilti gaisras ir/arba galimi sunkiai susižaloti arba sužaloti kitus asmenis.

Išsaugokite šias saugos nuorodas ir reikalavimus, kad ir ateityje galėtumėte jais pasinaudoti.

⚠ GRAŽTAMS SKIRTI SAUGUMO NURODYMAI

Dirbdami su smūginiu grąžtu, visuomet naudokite apsaugines ausų priemones. Dėl didelio triukšmo poveikio gali būti pažeidžiama klausia.

Naudokite į prietaiso komplektaciją įeinančias papildomas rankenas. Nesuvaldžius prietaiso galima susižeisti.

Jei yra tikimybė, jog dirbant įrankis gali kliudyti paslėptą laidą, prietaisą laikykite tik už izoliuotų rankenų. Pjovimo įrenginio kontaktas su įtampa laidais gali įelektrinti metalines prietaiso dalis, o tai gali sukelti elektros iškvovą.

⚠ SUKTUVAMS SKIRTI SAUGUMO NURODYMAI

Dirbdami laikykite prietaisą už izoliuotų vietų, kuriose sraigtas pats galėtų liesti paslėptus laidus arba savo paties laidą. Sraigtui prisilietus prie įtampą tiekiančių linijų gali įsikrauti prietaiso dalys ir įvykti elektros smūgis.

Kiti saugumo ir darbo nurodymai

Dėvėkite apsaugines priemones. Dirbdami su mašina visada užsidėkite apsauginius akinius. Rekomenduotina dėvėti apsaugines priemones: apsaugos nuo dulkių respiratorius, apsaugines pirštines, kietus batus neslidžiais padais, šalmą ir klausos apsaugos priemones.

Maitinimo kabelis turi nebūti įrenginio poveikio srityje. Kabelį visada nuveskite iš galinės įrenginio pusės.

Negalima apdirbti medžiagų, dėl kurių galimi sveikatos pažeidimai (pvz., asbesto).

Dirbdami sienoje, lubose arba grindyse, atkreipkite dėmesį į elektros laidus, dujų ir vandens vamzdžius.

Ruošinį užfiksuokite įtempimo įrenginiu. Neužfiksuoti ruošiniai gali sunkiai sužaloti ir būti pažeidimų priežastimi.

Blokuojant įstatomąjį įrankį būna išjungti prietaisą! Neįjunkite prietaiso, kol įstatomasis įrankis yra užblokuotas; galimas grįžtamasis smūgis su dideliu sukimo momentu. Atsižvelgdami į saugumo nurodymus, nustatykite ir pašalinkite įstatomojo įrankio blokavimo priežastį.

Galimos to priežastys:

- Susidariusios apdirbamo ruošinio briaunos
- Apdirbamos medžiagos lūžimas
- Elektros įrankio perkrova

Nekiskite rankų į veikiančią mašiną.

Naudojamas įstatomasis įrankis gali įkaisti.

DĖMESIO! Pavojus nusidėginti

- keičiant įrankį
- padedant prietaisą

Draudžiama išiminti drožles ar nuopjovas, įrenginiui veikiančiam.

Prieš atlikdami bet kokius įrenginyje, ištraukite iš lizdo kištuką.

NAUDOJIMAS PAGAL PASKIRTĮ

Smūginį grąžtuvą/suktuvą su elektroniniu valdymu galima universaliai naudoti gręžimui, smūginiam gręžimui, sukimui ir sriegių pjovimui.

CE ATITIKTIES PAREIŠKIMAS

Prisiimdami visą atsakomybę pareiškiame, kad gaminys, aprašytas „Techniniuose duomenyse“, atitinka taikomus reikalavimus, išdėstytus direktyvose:

2011/65/EU (RoHS)

2014/30/EU

2006/42/EB

ir buvo taikyti šie dariniai standartai

EN 60745-1:2009 + A11:2010

EN 60745-2-1:2010

EN 60745-2-2:2010

EN 55014-1:2006 + A1:2009 + A2:2011

EN 55014-2:1997 + A1:2001 + A2:2008

EN 61000-3-2:2014

EN 61000-3-3:2013

EN 50581:2012



Winnenden, 2016-03-25

Alexander Krug / Managing Director

Įgaliotas parengti techninius dokumentus.

Techtronic Industries GmbH

Max-Eyth-Straße 10, 71364 Winnenden, Germany

ELEKTROS TINKLO JUNGTIS

Lauke esantys el. lizdai turi būti su gedimo srovės išjungikliais. Tai nurodyta Jūsų elektros įrenginio instaliacijos taisyklėse (FI, RCD, PRCD). Atsižvelkite į tai, naudodami prietaisą.

Jungti tik prie vienfazės kintamos elektros srovės ir tik į specifikacijų lentelėje nurodytus įtamos elektros tinklą. Konstruktijos saugos klase II, todėl galima jungti ir į lizdos be apsauginio kontakto.

Kištuką į lizdą įstatykite, tik kai įrenginys išjungtas.

TECHNINIS APTARNAVIMAS

Įrenginio vėdinimo angos visada turi būti švarios.

Dažnai naudojant smūginio gręžimo režimu, reikia reguliariai nuo grąžto patrono pašalinti dulkes. Tam laikykite įrenginį grąžto patronu tiesiai žemyn ir jį visiškai atidarykite ir uždarykite. Taip iš grąžto patrono iškrenta visos dulės. Rekomenduojame retkarčiais nupurkšti spaustuvo kumštelių ir spaustuvo kumštelių kiaurymes valymo aerosoliu (eil. nr. 4932 6217 19).

Jeigu pažeistas elektros laidas, pakeiskite jį remonto dirbtuvėje, nes tam reikia specialaus prietaiso.

Naudokite tik AEG priedus ir atsargines dalis. Dalis, kurių keitimas neaprašytas, leidžiama keisti tik AEG klientų aptarnavimo skyriams (žr. garantiją/klientų aptarnavimo skyrių adresus brošiūroje).

Lietuviškai

Jei reikia, nurodant įrenginio tipą bei specifikacijų lentelėje esantį numerį, iš klientų aptarnavimo skyriaus arba tiesiai iš Techtronic Industries GmbH, Max-Eyth-Straße 10, 71364 Winnenden, Germany, galima užsisakyti prietaiso surinkimo brėžinius.

SIMBOLIAI



DĖMESIO! ĮSPĖJIMAS! PAVOJUS!



Prieš atlikdami bet kokius įrenginyje, ištraukite iš lizdo kištuką.



Prieš pradėdami dirbti su prietaisu, atidžiai perskaitykite jo naudojimo instrukciją.



Priedas – neįeina į tiekimo komplektaciją, rekomenduojamas papildymas iš priedų asortimento.



Elektros prietaisų negalima išmesti kartu su buitinėmis atliekomis. Būtina rūšiuoti elektros ir elektroninius prietaisus ir atiduoti į atliekų perdirbimo centrą, kad jie būtų utilizuoti neteršiant aplinkos. Informacijos apie perdirbimo centrus ir atliekų surinkimo įstaigas teiraukitės vietos įstaigoje arba prekybininko.



II apsaugos klasės elektrinis įrankis. Šio elektrinio įrankio apsauga nuo elektros smūgio priklauso ne tik nuo pagrindinės izoliacijos, bet ir nuo to, kaip naudojamos papildomos apsauginės priemonės, tokios kaip dviguba arba pagerinta izoliacija.



CE ženklas



„UkrSEPRO“ atitikties ženklas.



„EurAsian“ atitikties ženklas.



TEHNILISED ANDMED Löökpuur	SB2E 850 R	SB2E 1100 RV
Tootmisnumber	4473 61 02... ... 000001-999999	4473 76 02... ... 000001-999999
Nimitarimine	850 W	1100 W
Väljundvõimsus	460 W	600 W
Pöörlemiskiirus tühijooksul 1. käik	0-1000 min ⁻¹	0-1000 min ⁻¹
Pöörlemiskiirus tühijooksul 2. käik	0-3000 min ⁻¹	0-3000 min ⁻¹
Pöörlemiskiirus koormusega 1. käik	0-680 min ⁻¹	0-680 min ⁻¹
Pöörlemiskiirus koormusega 2. käik	0-2000 min ⁻¹	0-2000 min ⁻¹
Löökide arv koormusega max	38000 min ⁻¹	38000 min ⁻¹
Löökide arv max	57000 min ⁻¹	57000 min ⁻¹
Staatiline blokeerumimoment	56/30 Nm	60/33 Nm
Puuri ø betoonis	20 mm	22 mm
Puuri ø tellistes ja silikaatkivides	22 mm	24 mm
Puuri ø terases	13 mm	16 mm
Puuri ø puidus	40 mm	40 mm
Puuripadrundi pingutusvahemik	1,5-13 mm	1,5-13 mm
Puurispindel	1/2" - 20 UNF	1/2" - 20 UNF
Kinnituskaela ø	43 mm	43 mm
Kaal vastavalt EPTA-protseduurile 01/2003	2,7 kg	2,9 kg
Müra andmed		
Mööteväärtsused on kindlaks tehtud vastavalt normile EN 60745. Seadme tüüpiline hinnanguline (müratase):		
Helirõhutase (Määramatus K=3dB(A))	100,0 dB (A)	94,0 dB (A)
Helivõimsuse tase (Määramatus K=3dB(A))	111 dB (A)	105 dB (A)
Kandke kaitseks kõrvaklappe!		
Vibratsiooni andmed		
Vibratsiooni koguväärtus (kolme suuna vektorsummöödetud EN 60745 järgi).		
Metalli puurimine: Vibratsiooni emissiooni väärtus $a_{h,D}$ Määramatus K=	2,7 m/s ² 1,5 m/s ²	3,5 m/s ² 1,5 m/s ²
Betooni löökpuurimine: Vibratsiooni emissiooni väärtus $a_{h,10}$ Määramatus K=	13,4 m/s ² 1,5 m/s ²	12,2 m/s ² 1,5 m/s ²
Kruvimine löögiga: Vibratsiooni emissiooni väärtus a_h Määramatus K=	1,1 m/s ² 1,5 m/s ²	1,8 m/s ² 1,5 m/s ²

TÄHELEPANU!

Antud juhendis toodud vonketase on möödetud EN 60745 standardile vastava mõotesüsteemiga ning seda võib kasutada erinevate elektriseadmete omavahelises võrdlemises. Antud näitaja sobib ka esmaseks vonkekoormuse hindamiseks.

Antud vonketase kehtib elektriseadme kasutamisel sihtotstarbeliselt. Kui elektriseadet kasutatakse muudel otstarvetel, muude tööriistadega või seda ei hooldata piisavalt võib vonketase siintoodust erineda. Eeltoodu võib vonketaset märkimisväärselt tõsta terves töökeskkonnas.

Vonketaseme täpselt hindamiseks tuleks arvestada ka aega, mil seade on välja lülitatud või on küll sisse lülitatud, kuid ei ole otseselt kasutuses. See võib märgatavalt vähendada kogu töökeskkonna vonketaset.

Rakendage spetsiaalseid ettevaatusabinõusid töötajate suhtes, kes puutuvad töö käigus palju kokku vibratsiooniga. Nendeks abinõudeks võivad olla, näiteks: elektri- ja tööseadmete korraline hooldus, käte soojendamine, töövoo parem organiseerimine.

⚠ TÄHELEPANU! Lugege kõik ohutusnõuanded ja juhendid läbi. Ohutusnõuete ja juhiste eiramise tagajärjek võib olla elektrilöök, tulekahju ja/või rasked vigastused.
Hoidke kõik ohutusnõuded ja juhised edasiseks kasutamiseks hoolikalt alles.

⚠ PUURMASINATE OHUTUSJUHISED

Kandke löökpuurimisel kuulmekaitset. Mõra toime võib põhjustada kuulmiskadu.

Kasutage seadmega koos tarnitud lisakäepidemeid.

Kontrolli kaotamine võib põhjustada vigastusi.

Kui esineb oht, et seade võib tabada varjatud elektrijuhtmeid või omaenda toitejuhet, tohib seadet hoida üksnes isoleeritud käepidemetest. Kokkupuude pingestatud juhtmega võib pingestada ka lõikeseadme metallist osad ning põhjustada elektrilöögi.

⚠ KRUVITSATE OHUTUSJUHISED

Tööde puhul, kus kruvi võib minna vastu peidetud elektrijuhtmeid või seadme enda toitejuhet, hoidke kinni seadme isoleeritud käepidemetest. Kruvi kontakt pinget juhtiva juhtmega võib panna metallist seadme osad pingele alla ja põhjustada elektrilöögi.

Edasised ohutus- ja tööjuhised

Kasutada kaitsevarustust. Masinaga töötamisel kanda alati kaitseprille. Kaitseriietusena soovitakse kasutada tolumumaski kaitsekindaid, kinniseid ja libisemisvastase tallaga jalanõusid, kiivrit ja kuulmisteede kaitset.

Hoidke ühendusjuhe alati masina tööpiirkonnast eemal. Vedage juhe alati masinast tahapoole.

Töödelda ei tohi materjale, millest lähtub oht tervisele (nt asbest). Seina, lae või põranda tööde puhul pidage silmas elektrijuhtmeid, gaasi- ja veetorusid.

Kinnitage toorik kinnipingutusseadisega. Kinnitamata toorikud võivad raskeid vigastusi ja kahjustusi põhjustada.

Palun lülitage seade rakendustööriista blokeerumise korral kohe välja! Ärge lülitage seadet sisse tagasi, kuni rakendustööriist on blokeeritud; seejuures võib kõrge reaktsioonimomendiga tagasilöök tekkida. Tehke ohutusjuhiseid arvesse võttes kindlaks ja kõrvaldage rakendustööriista blokeerumise põhjus.

Automaatse seiskumise võimalikud põhjused:

- viltu asetumine töödeldavas toorikus
- Töödeldava materjali läbipuurimine
- elektritööriista ülekoormamine

Ärge sisestage jässemeid töötavasse masinasse.

Rakendustööriist võib kasutamise ajal kuumaks minna.

TÄHELEPANU! Põletusoht

- tööriista vahetamisel
- seadme ärapanemisel

Puru ega pilpaid ei tohi eemaldada masina töötamise ajal.

Enne kõiki töid masina kallal tõmmake pistik pistikupesast välja.

KASUTAMINE VASTAVALT OTSTARBELE

Elektroonilist lööktrelli / kruvikeerajat saab universaalselt rakendada puurimiseks, löökpuurimiseks, kruvide keeramiseks ja keermete lõikamiseks.

EÜ VASTAVUSAVALDUS

Kinnitame oma ainuvastutuse, et „Tehniliste andmete“ all kirjeldatud toode vastab direktiivide kõigile asjakohastele sätetele:

2011/65/EU (RoHS)

2014/30/EU

2006/42/EU

ning täidetud on järgmistele ühtlustatud standardite nõuded.

EN 60745-1:2009 + A11:2010

EN 60745-2-1:2010

EN 60745-2-2:2010

EN 55014-1:2006 + A1:2009 + A2:2011

EN 55014-2:1997 + A1:2001 + A2:2008

EN 61000-3-3:2014

EN 61000-3-3:2013

EN 50581:2012



Winnenden, 2016-03-25

Alexander Krug / Managing Director

On volitatud koostama tehnilist dokumentatsiooni.

Techtronic Industries GmbH

Max-Eyth-Straße 10, 71364 Winnenden, Germany

VÕRKU ÜHENDAMINE

Välitingimustes asuvad pistikupesad peavad olema varustatud rikkevoolukaitseelülititega (FI, RCD, PRCD). Seda nõutakse Teie elektriseadme installierimiseeskirjas. Palun pidage sellest meie seadme kasutamisel kinni.

Ühendage ainult ühefaasilise vahelduvvooluga ning ainult andmesildil toodud võrgupingega. Ühendada on võimalik ka kaitsekontaktita pistikupesadesse, kuna nende konstruktsioon vastab kaitseklassile II.

Masin peab pistikupessa ühendamisel olema alati väljalülitatud seisundis.

HÖOLDUS

Hoidke masina õhutuspiilud alati puhtad.

Löökpüüri sagedase käitamise puhul tuleks puuripadrunit regulaarselt tolm eemaldada. Selleks hoidke masinat püstloodis alla suunatud puuripadrunit ja avage ja sulgege puuripadrunit kogu pingutusvahemiku ulatuses. Kogunenud tolm langeb nii puuripadrunit välja. Soovitatav on kinnituskruvide ja kinnituskruvide puurete puhul kasutada regulaarselt puhastatavat puhastusvedelikku (jrk nr 4932 6217 19).

Kui võrguühenduskaabel on kahjustatud, tuleb see spetsiaalsete tööriistade kasutamise tõttu lasta välja vahetada klienditeeninduses, Text hier anhängen.



Kasutage ainult AEG tarvikuid ja tagavaraosi. Detailid, mille väljavahetamist pole kirjeldatud, laske välja vahetada AEG klienditeeninduspunktis (vaadake brošüüri garantii / klienditeeninduste aadressid).

Vajaduse korral võite tellida seadme läbilõikejoonise, näidates ära masina tüüpi ja andmesildil oleva numbri. Selleks pöörduge klienditeeninduspunkti või otse: Techtronic Industries GmbH, Max-Eyth-Straße 10, 71364 Winnenden, Germany.

SÜMBOLID



ETTEVAATUST! TÄHELEPANU! OHUD!



Enne kõiki töid masina kallal tõmmake pistik pistikupesast välja.



Palun lugege enne käikulaskmist kasutusjuhend hoolikalt läbi.



Tarvikud - ei kuulu tarne komplekti, soovitatav täiendus on saadaval tarvikute programmis.



Elektriseadmeid ei tohi utiliseerida koos majapidamisprügiga. Elektrilised ja elektroonilised seadmed tuleb eraldi kokku koguda ning keskkonnasõbralikuks utiliseerimiseks vastavas käitlusettevõttes ära anda. Küsige kohalikest pädevatest ametitest või edasimüüjalt käitlusjaamade ja kogumispunktide kohta järele.



Kaitseklassi II elektritööriist. Elektritööriist, mille puhul ei sõltu kaitse mitte üksnes baasisolatsioonist, vaid ka täiendavate kaitsemeetmete nagu topeltisolatsiooni või tugevdatud isolatsiooni kohaldamisest.



CE-märk



UkrSEPRO vastavusmärk.

TR 066



Euraasia vastavusmärk.

ТЕХНИЧЕСКИЕ ДАННЫЕ Ударная дрель	SB2E 850 R	SB2E 1100 RV
Серийный номер изделия	4473 61 02... ... 000001-999999	4473 76 02... ... 000001-999999
Номинальная потребляемая мощность	850 W	1100 W
Номинальная мощность.	460 W	600 W
Число оборотов без нагрузки 1-я скорость	0-1000 min ⁻¹	0-1000 min ⁻¹
Число оборотов без нагрузки 2-я скорость	0-3000 min ⁻¹	0-3000 min ⁻¹
Скорость под нагрузкой 1-я скорость	0-680 min ⁻¹	0-680 min ⁻¹
Скорость под нагрузкой 2-я скорость	0-2000 min ⁻¹	0-2000 min ⁻¹
Количество ударов при нагрузке макс.	38000 min ⁻¹	38000 min ⁻¹
Количество ударов в минуту макс.	57000 min ⁻¹	57000 min ⁻¹
Статический блокирующий момент	56/30 Nm	60/33 Nm
Максимальный диаметр сверления в бетон	20 mm	22 mm
Максимальный диаметр сверления в кирпич и кафель	22 mm	24 mm
Максимальный диаметр сверления в стали	13 mm	16 mm
Максимальный диаметр сверления в дерево	40 mm	40 mm
Диапазон раскрытия патрона	1,5-13 mm	1,5-13 mm
Резьба шпинделя	1/2" - 20 UNF	1/2" - 20 UNF
Диаметр шейки патрона	43 mm	43 mm
Вес согласно процедуре EPTA 01/2003	2,7 kg	2,9 kg
Информация по шумам		
Значения замерялись в соответствии со стандартом EN 60745. Уровень шума прибора, определенный по показателю A, обычно составляет:		
Уровень звукового давления (Небезопасность K=3dB(A))	100,0 dB (A)	94,0 dB (A)
Уровень звуковой мощности (Небезопасность K=3dB(A))	111 dB (A)	105 dB (A)
Пользуйтесь приспособлениями для защиты слуха.		
Информация по вибрации		
Общие значения вибрации (векторная сумма трех направлений) определены в соответствии с EN 60745.		
Сверление в металле: Значение вибрационной эмиссии a _{h,d}	2,7 m/s ²	3,5 m/s ²
Небезопасность K=	1,5 m/s ²	1,5 m/s ²
Ударное сверление в бетоне: Значение вибрационной эмиссии a _{h,d}	13,4 m/s ²	12,2 m/s ²
Небезопасность K=	1,5 m/s ²	1,5 m/s ²
Завинчивание без удара: Значение вибрационной эмиссии a _h	1,1 m/s ²	1,8 m/s ²
Небезопасность K=	1,5 m/s ²	1,5 m/s ²

ВНИМАНИЕ!

Указанный в настоящем руководстве уровень вибрации измерен в соответствии с технологией измерения, установленной стандартом EN 60745 и может использоваться для сравнения электроинструментов друг с другом. Он также подходит для предварительной оценки вибрационной нагрузки.

Указанный уровень вибрации представляет основные виды использования электроинструмента. Но если электроинструмент используется для других целей, используемый инструмент отклоняется от указанного или техническое обслуживание было недостаточным, то уровень вибрации может отклоняться от указанного. В этом случае вибрационная нагрузка в течение всего периода работы значительно увеличивается.

Для точной оценки вибрационной нагрузки необходимо также учитывать время, в течение которого прибор отключен или включен, но фактически не используется. В этом случае вибрационная нагрузка в течение всего периода работы может существенно уменьшиться.

Установите дополнительные меры безопасности для защиты пользователя от воздействия вибрации, например: техническое обслуживание электроинструмента и используемого инструмента, поддержание рук в теплом состоянии, организация рабочих процессов.



⚠ ВНИМАНИЕ! Ознакомьтесь со всеми указаниями по безопасности и инструкциями Упущения, допущенные при не соблюдении указаний и инструкций по технике безопасности, могут стать причиной электрического поражения, пожара и тяжелых травм.
Сохраняйте эти инструкции и указания для будущего использования.

⚠ УКАЗАНИЯ ПО ТЕХНИКЕ БЕЗОПАСНОСТИ ДЛЯ ДРЕЛЕЙ

При ударе сверлением надевайте защитные наушники. Воздействие шума может привести к потере слуха.

Используйте вспомогательные рукоятки, поставляемые вместе с инструментом. Потеря контроля может стать причиной травмы.

Держите электроинструмент только за изолированные поверхности рукоятки, если Вы выполняете работы, при которых рабочий инструмент может попасть на скрытую электропроводку или на собственный шнур подключения питания. Контакт режущего инструмента с токоведущим проводом может ставить под напряжение металлические части прибора, а также приводить к удару электрическим током.

⚠ УКАЗАНИЯ ПО ТЕХНИКЕ БЕЗОПАСНОСТИ ДЛЯ ШУРУПОВЕРТОВ

Если Вы выполняете работы, при которых рабочая оснастка может зацепить скрытую электропроводку или собственный кабель, инструмент следует держать за специально предназначенные для этого изолированные поверхности. Контакт с токоведущим проводом может ставить под напряжение металлические части инструмента, а также приводить к удару электрическим током.

Дополнительные указания по безопасности и работе

Пользоваться средствами защиты. Работать с инструментом всегда в защитных очках. Рекомендуется спецодежда: пылезащитная маска, защитные перчатки, прочная и нескользящая обувь, каска и наушники.

Держите силовой провод вне рабочей зоны инструмента. Всегда прокладывайте кабель за спиной.

Запрещается обрабатывать материалы, которые могут нанести вред здоровью (напр., асбест).

При работе в стенах, потолках или полу следите за тем, чтобы не повредить электрические кабели или водопроводные трубы.

Зафиксируйте вашу заготовку с помощью зажимного приспособления. Незафиксированные заготовки могут привести к тяжелым травмам и повреждениям.

При блокировании используемого инструмента немедленно выключить прибор! Не включайте прибор до тех пор, пока используемый инструмент заблокирован, в противном случае может возникнуть отдача с высоким реактивным моментом. Определите и устраните причину блокирования используемого инструмента с учетом указаний по безопасности.

Возможными причинами остановки могут быть:

- перекос заготовки, подлежащей обработке
- разрушение материала, подлежащего обработке;

- перегрузка электроинструмента

Не прикасаться к работающему станку.

Используемый инструмент может нагреваться во время применения.

ВНИМАНИЕ! Опасность получения ожога

- при смене оснастки
- при укладывании прибора

Не убирайте опилки и обломки при включенном инструменте.

Перед выполнением каких-либо работ по обслуживанию инструмента всегда вынимайте вилку из розетки.

ИСПОЛЬЗОВАНИЕ

Электронная дрель/шуруповерт может одинаково использоваться для сверления, ударного сверления, закручивания шурупов и нарезания резьбы.

ДЕКЛАРАЦИЯ О СООТВЕТСТВИИ СТАНДАРТАМ ЕС

Мы несем исключительную ответственность за то, что изделие, описанное в разделе «Техническая информация» соответствует всем применимым положениям директив:

2011/65/EU (RoHS)

2014/30/EU

2006/42/EC

а также следующим согласованным стандартам

EN 60745-1:2009 + A1:2010

EN 60745-2-1:2010

EN 60745-2-2:2010

EN 55014-1:2006 + A1:2009 + A2:2011

EN 55014-2:1997 + A1:2001 + A2:2008

EN 61000-3-2:2014

EN 61000-3-3:2013

EN 50581:2012



Winnenden, 2016-03-25

Alexander Krug / Managing Director

Уполномочен на составление технической документации.

Techtronic Industries GmbH

Max-Eyth-Straße 10, 71364 Winnenden, Germany

ПОДКЛЮЧЕНИЕ К ЭЛЕКТРОСЕТИ

Электроприборы, используемые во многих различных местах, в том числе на открытом воздухе, должны подключаться через устройство, предотвращающее резкое повышение напряжения (FI, RCD, PRCD).

Подсоединять только к однофазной сети переменного тока с напряжением, соответствующим указанному на инструменте. Электроинструмент имеет второй класс защиты, что позволяет подключать его к розеткам электропитания без заземляющего вывода.

Вставляйте вилку в розетку только при выключенном инструменте.

ОБСЛУЖИВАНИЕ

Всегда держите охлаждающие отверстия чистыми.

Если инструмент используется в основном для ударного сверления регулярно удаляйте скопившуюся в патроне пыль. Для удаления пыли, держите инструмент вертикально патроном вниз и полностью откройте и закройте патрон. Скопившаяся пыль должна высыпаться из патрона.

Рекомендуется периодически использовать чистящее средство (номер 4932 6217 19) для зажимных приспособлений и держателей буров.

При повреждении сетевого соединительного кабеля его замену производит служба технической поддержки клиентов, так как для этого требуется специальный инструмент.

Пользуйтесь аксессуарами и запасными частями только фирмы АЕГ. В случае возникновения необходимости в замене, которая не была описана, пожалуйста, обращайтесь на один из сервисных центров (см. список наших гарантийных/сервисных организаций).

При необходимости может быть заказан чертеж инструмента с трехмерным изображением деталей. Пожалуйста, укажите номер и тип инструмента и закажите чертеж у Ваших местных агентов или непосредственно у Techtronic Industries GmbH, Max-Eyth-Straße 10, 71364 Winnenden, Germany.

СИМВОЛЫ



ВНИМАНИЕ! ПРЕДУПРЕЖДЕНИЕ! ОПАСНОСТЬ!



Перед выполнением каких-либо работ по обслуживанию инструмента всегда вынимайте вилку из розетки.



Пожалуйста, внимательно прочтите инструкцию по использованию перед началом любых операций с инструментом.



Принадлежности - В стандартную комплектацию не входит, поставляется в качестве дополнительной принадлежности.



Электрические устройства нельзя утилизировать вместе с бытовым мусором. Электрические и электронные устройства следует собирать отдельно и сдавать в специализированную утилизирующую компанию для утилизации в соответствии с нормами охраны окружающей среды. Сведения о центрах вторичной переработки и пунктах сбора можно получить в местных органах власти или у вашего специализированного дилера.



Электроинструмент с классом защиты II. Электроинструмент, в котором защита от электрического удара зависит не только от основной изоляции, но и от того, что принимаются дополнительные защитные меры, такие как двойная изоляция или усиленная изоляция.



Знак CE



Знак UkrSEPRO Соответствия

TR 066



Сертификат Соответствия
No. TC RU C-DE.M86.B.00159
Срок действия Сертификата Соответствия
по 20.04.2020
000 «Ручные электрические машины. Сертификация»
141400, Россия, Московская область, Химки, ул.
Ленинградская, дом 29

Транспортировка:

Категорически не допускается падение и любые механические воздействия на упаковку при транспортировке.

При разгрузке/погрузке не допускается использование любого вида техники, работающей по принципу зажима упаковки.

Хранение:

Необходимо хранить в сухом месте.

Необходимо хранить вдали от источников повышенных температур и воздействия солнечных лучей.

При хранении необходимо избегать резкого перепада температур.

Хранение без упаковки не допускается.

Срок службы изделия:

Срок службы изделия составляет 5 лет.

Не рекомендуется к эксплуатации по истечении 5 лет хранения с даты изготовления без предварительной проверки.

Дата изготовления (код даты)

отштампован на поверхности корпуса изделия.

Пример:

A2015, где 2015 - год изготовления

A - месяц изготовления

Определить месяц изготовления можно согласно приведенной ниже таблице.

A - Январь	G - Июль
B - Февраль	H - Август
C - Март	J - Сентябрь
D - Апрель	K - Октябрь
E - Май	L - Ноябрь
F - Июнь	M - Декабрь

Тектроник Индастриз ГмбХ
Германия, 71364, Винненден,
ул. Макс-Ай-Штрассе, 10
Сделано в КНР



РУС

ТЕХНИЧЕСКИ ДАННИ Ударна бормашина	SB2E 850 R	SB2E 1100 RV
Производствен номер	4473 61 02... ... 000001-999999	4473 76 02... ... 000001-999999
Номинална консумирана мощност	850 W	1100 W
Отдавана мощност	460 W	600 W
Обороти на празен ход 1. скорост	0-1000 min ⁻¹	0-1000 min ⁻¹
Обороти на празен ход 2. скорост	0-3000 min ⁻¹	0-3000 min ⁻¹
Обороти при натоварване 1. скорост	0-680 min ⁻¹	0-680 min ⁻¹
Обороти при натоварване 2. скорост	0-2000 min ⁻¹	0-2000 min ⁻¹
Макс. брой на ударите при натоварване макс.	38000 min ⁻¹	38000 min ⁻¹
Брой на ударите макс.	57000 min ⁻¹	57000 min ⁻¹
Статичен блокиращ момент	56/30 Nm	60/33 Nm
Диаметър на свредлото за бетон	20 mm	22 mm
Диаметър на свредлото за обикновени и силикатни тухли	22 mm	24 mm
Диаметър на свредлото за стомана	13 mm	16 mm
Диаметър на свредлото за дърво	40 mm	40 mm
Затегателен участък на патронника	1,5-13 mm	1,5-13 mm
Шпиндел на бормашината	1/2" - 20 UNF	1/2" - 20 UNF
Диаметър на отвора на патронника	43 mm	43 mm
Тегло съгласно процедурата EPTA 01/2003	2,7 kg	2,9 kg
Информация за шума Измерените стойности са получени съобразно EN 60745. Оцененото с А ниво на шума на уреда е съответно:		
Равнище на звуковото налягане (Несигурност K=3dB(A))	100,0 dB (A)	94,0 dB (A)
Равнище на мощността на звука (Несигурност K=3dB(A))	111 dB (A)	105 dB (A)
Да се носи предпазно средство за слуха!		
Информация за вибрациите Общите стойности на вибрациите (векторна сума на три посоки) са определени в съответствие с EN 60745.		
Пробиване на метал: Стойност на емисии на вибрациите a _{h,d} Несигурност K=	2,7 m/s ² 1,5 m/s ²	3,5 m/s ² 1,5 m/s ²
Ударно пробиване в бетон: Стойност на емисии на вибрациите a _{h,ld} Несигурност K=	13,4 m/s ² 1,5 m/s ²	12,2 m/s ² 1,5 m/s ²
Завинтване без удар: Стойност на емисии на вибрациите a _h Несигурност K=	1,1 m/s ² 1,5 m/s ²	1,8 m/s ² 1,5 m/s ²

ВНИМАНИЕ!

Посоченото в тези инструкции ниво на вибрациите е измерено в съответствие със стандартизиран в EN 60745 измервателен метод и може да се използва за сравнение на електрически инструменти помежду им. Подходящ е и за временна оценка на вибрационното натоварване.

Посоченото ниво на вибрациите представя основните приложения на електрическия инструмент. Ако обаче електрическият инструмент се използва с друго предназначение, с различни сменяеми инструменти или при недостатъчна техническа поддръжка, нивото на вибрациите може да е различно. Това чувствително може да увеличи вибрационното натоварване по време на целия работен цикъл.

За точната оценка на вибрационното натоварване трябва да се вземат предвид и периодите от време, в които уредът е изключен или работи, но в действителност не се използва. Това чувствително може да намали вибрационното натоварване по време на целия работен цикъл.

Определете допълнителни мерки по техника на безопасност в защита на обслужващия работник от въздействието на вибрациите като например: техническа поддръжка на електрическия инструмент и сменяемите инструменти, поддържане на ръцете топли, организация на работния цикъл.

⚠ ВНИМАНИЕ! Прочетете указанията за безопасност и съветите. Пропуски при спазването на указанията и на инструкциите за безопасност могат да доведат до токов удар, пожар и/или тежки наранявания.

Запазете всички указания и инструкции за безопасност за бъдещето.

⚠ УКАЗАНИЯ ЗА БЕЗОПАСНОСТ ЗА БОРМАШИНИ

Носете предпазни тапи за ушите при ударното пробиване. Шумът може да доведе до загуба на слуха.

Използвайте доставените с уреда допълнителни ръкохватки. Загубата на контрол може да доведе до наранявания.

Дръжте уреда за изолираните ръкохватки, когато извършвате работи, при които режещият инструмент може да засегне скрити електроинсталационни кабели или собствения си кабел. Контактът на режещия инструмент с тоководещ проводник може да предаде напрежението върху метални части на уреда и да доведе до токов удар.

⚠ УКАЗАНИЯ ЗА БЕЗОПАСНОСТ ЗА СВРЕДЛА ЗА УДАРНО ПРОБИВАНЕ

Дръжте уреда за изолираните ръкохватки, когато извършвате работи, при които болтът може да засегне скрити електроинсталационни кабели или собствения си кабел. Контактът на болта с токопроводим проводник може да постави метални части на уреда под напрежение и може да Ви хване ток.

Допълнителни указания за работа и безопасност

Да се използват предпазни средства. При работа с машината винаги носете предпазни очила. Препоръчват се защитно облекло и прахозащитна маска, защитни ръкавици, здрави и нехлъзгащи се обувки, каска и предпазни средства за слуха.

Свързващият кабел винаги да се държи извън работния обсег на машината. Кабелът да се отвежда от машината винаги назад.

Не е разрешена обработката на материали, които представляват опасност за здравето (напр. азбест).

При работа в стени, тавани или подове внимавайте за кабели, газопроводи и водопроводи.

Закрепете обработваната част с устройство за захващане. Незакрепени части за обработка могат да причинят сериозни наранявания и материални щети.

Ако използваният инструмент блокира, изключете веднага уреда! Не включвайте уреда отново, докато използваният инструмент е блокиран; това би могло да доведе до откат с висока реактивна сила. Открийте и отстранете причината за блокирането на използвания инструмент имайки в предвид инструкциите за безопасност.

Възможна причина за това може да бъде:

- Заклинване в обработваната част
- Пречупване на обработвания материал
- Пренатоварване на електрическия инструмент

Не бъркайте в машината, докато тя работи.

Използваният инструмент може да загрее по време на употреба.

ВНИМАНИЕ! Опасност от изгаряния

- при смяна на инструмента
- при оставяне на уреда

Стружки или отчупени парчета да не се отстраняват, докато машината работи.

Преди каквито и да е работи по машината извадете щепсела от контакта.

ИЗПОЛЗВАНЕ ПО ПРЕДНАЗНАЧЕНИЕ

Ударната бормашина/отвертка с електронно управление може да се използва универсално за пробиване, ударно пробиване, завинтване и нарязване на резба.

СЕ - ДЕКЛАРАЦИЯ ЗА СЪОТВЕТСТВИЕ

Ние декларираме, изцяло на наша отговорност, че продуктът, описан в „Технически данни“, съответства на всички необходими изисквания на директивите:

2011/65/EU (RoHS)

2014/30/EU

2006/42/EU

и че са използвани следните хармонизирани стандарти

EN 60745-1:2009 + A11:2010

EN 60745-2-1:2010

EN 60745-2-2:2010

EN 55014-1:2006 + A1:2009 + A2:2011

EN 55014-2:1997 + A1:2001 + A2:2008

EN 61000-3-2:2014

EN 61000-3-3:2013

EN 50581:2012



Winnenden, 2016-03-25

Alexander Krug / Managing Director

Упълномощен за съставяне на техническата документация

Techtronic Industries GmbH

Max-Eyth-Straße 10, 71364 Winnenden, Germany

ЗАЩИТА НА ДВИГАТЕЛЯ В ЗАВИСИМОСТ ОТ НАТОВАРВАНЕТО

Контактите във външните участъци трябва да бъдат оборудвани със защитни прекъсвачи за утечен ток (FI, RCD, PRCD). Това изисква предписанието за инсталиране за електрическата инсталация. Моля спазвайте това при използване на Вашия уред.

Да се свързва само към еднофазен променлив ток и само към мрежово напрежение, посочено върху заводската табелка. Възможно е и свързване към контакт, който не е от тип „шуко“, понеже конструкцията е от защитен клас II.

Свързвайте машината към контакта само в изключено положение.

ПОДДРЪЖКА

Вентилационните шлицы на машината да се поддържат винаги чисти.

Когато машината често се използва за ударно пробиване, патронникът следва често да се почиства от прах. За целта дръжте машината с патронника вертикално надолу, отваряйте



патронника напълно и после го затваряйте. Така насъбралят се прах пада от патронника. Препоръчва се редовно използване на спрей за почистване (Ид..№ 4932 6217 19) на затегателните челюсти и на техните отвори.

Ако кабелът на захранването е повреден, то занесете го за смяна в сервиз, тъй като за това са необходими специални инструменти.

Да се използват само аксесоари на AEG и резервни части на. Елементи, чията подмяна не е описана, да се дадат за подмяна в сервиз на AEG (вижте брошурата „Гаранция и адреси на сервиси“).

При необходимост можете да поискате за уреда от Вашия сервиз или директно от Techtronic Industries GmbH, Max-Eyth-Straße 10, 71364 Winnenden, Germany, чертеж за в случай на експлозия, като посочите типа на машината и номер върху заводската табелка.



БЪЛ

СИМВОЛИ



ВНИМАНИЕ! ПРЕДУПРЕЖДЕНИЕ! ОПАСНОСТ



Преди каквито и да е работи по машината извадете щепсела от контакта.



Преди пускане на уреда в действие моля прочетете внимателно инструкцията за използване.



Аксесоари - Не се съдържат в обема на доставката, препоръчвано допълнение от програмата за аксесоари.



Електрическите уреди не трябва да се изхвърлят заедно с битовите отпадъци. Електрическото и електронното оборудване трябва да се събират отделно и да се предават на службите за рециклиране на отпадъците според изискванията за опазване на околната среда. Информирайте се при местните служби или при местните специализирани търговци относно местата за събиране и центровете за рециклиране на отпадъци.



Електроинструмент от защитен клас II. Електроинструмент, при който защитата от електрически удар зависи не само от основната изолация, а и от обстоятелството, че се използват допълнителни защитни мерки като двойна изолация или усилена изолация.



CE-знак



UkrSEPRO знак за съответствие.



EurAsian знак за съответствие.

DATE TEHNICE Ciocan rotopercurtor	SB2E 850 R	SB2E 1100 RV
Număr producție	4473 61 02... ... 000001-999999	4473 76 02... ... 000001-999999
Putere nominală de ieșire	850 W	1100 W
Putere de iesire	460 W	600 W
Viteza de mers în gol prima treaptă de putere	0-1000 min ⁻¹	0-1000 min ⁻¹
Viteza de mers în gol a 2-a treaptă de putere	0-3000 min ⁻¹	0-3000 min ⁻¹
Viteza sub sarcina prima treaptă de putere	0-680 min ⁻¹	0-680 min ⁻¹
Viteza sub sarcina a 2-a treaptă de putere	0-2000 min ⁻¹	0-2000 min ⁻¹
Rata de percuție sub sarcină max.	38000 min ⁻¹	38000 min ⁻¹
Rata de impact max.	57000 min ⁻¹	57000 min ⁻¹
Moment static de comprimare (apăsare)	56/30 Nm	60/33 Nm
Capacitate de perforare în beton	20 mm	22 mm
Capacitate de perforare în cărămidă și țiglă	22 mm	24 mm
Capacitate de găurire în oțel	13 mm	16 mm
Capacitate de găurire în lemn	40 mm	40 mm
Interval de deschidere burghiu	1,5-13 mm	1,5-13 mm
Capăt de acționare	1/2" - 20 UNF	1/2" - 20 UNF
Diametru gât mandrină	43 mm	43 mm
Greutatea conform „EPTA procedure 01/2003”	2,7 kg	2,9 kg

Informație privind zgomotul

Valori măsurate determinate conform EN 60745. Nivelul de zgomot evaluat cu A al aparatului este tipic de:

Nivelul presiunii sonore (Nesiguranță K=3dB(A))

100,0 dB (A)

94,0 dB (A)

Nivelul sunetului (Nesiguranță K=3dB(A))

111 dB (A)

105 dB (A)

Purtați căști de protecție

Informații privind vibrațiile

Valorile totale de oscilație (suma vectorială pe trei direcții determinate conform normei EN 60745).

Găurit în metal: Valoarea emisiei de oscilații $a_{h,D}$

2,7 m/s²

3,5 m/s²

Nesiguranță K=

1,5 m/s²

1,5 m/s²

Găurit cu percuție în beton: Valoarea emisiei de oscilații $a_{h,10}$

13,4 m/s²

12,2 m/s²

Nesiguranță K=

1,5 m/s²

1,5 m/s²

Înșurubare fără impact: Valoarea emisiei de oscilații a_h

1,1 m/s²

1,8 m/s²

Nesiguranță K=

1,5 m/s²

1,5 m/s²

AVERTISMENT!

Gradul de oscilație indicat în prezentele instrucțiuni a fost măsurat în conformitate cu o procedură de măsurare normată prin norma EN 60745 și poate fi folosit pentru a compara uneltele electrice între ele. El se pretează și pentru o evaluare provizorie a solicitării la oscilații. Gradul de oscilație indicat reprezintă aplicațiile principale ale uneltelor electrice. În cazul în care însă uneltele electrice au fost folosite pentru alte aplicații, ori au fost folosite uneltele de muncă diferite ori acestea nu au fost supuse unei suficiente inspecții de întreținere, gradul de oscilație poate fi diferit.

Acest fapt poate duce la o creștere netă a solicitărilor la oscilații dealungul întregii perioade de lucru. În scopul unei evaluări exacte a solicitării la oscilații, urmează să fie luate în considerație și perioadele de timp în care aparatul a fost oprit ori funcționează dar, în realitate, el nu este folosit în mod practic. Acest fapt poate duce la o reducere netă a solicitărilor la oscilații dealungul întregii perioade de lucru. Stabiliți măsuri de siguranță suplimentare în scopul protecției utilizatorului de efectele oscilațiilor, de exemplu: inspecție de întreținere a uneltelor electrice și a celor de muncă, păstrarea caldă a mâinilor, organizarea proceselor de muncă.



⚠️ AVERTISMENT! Citiți toate avizele de siguranță și indicațiile. Nerespectarea indicațiilor de avertizare și a instrucțiunilor poate provoca electrocutare, incendii și/sau răni grave.

Păstrați toate indicațiile de avertizare și instrucțiunile în vederea utilizărilor viitoare.

⚠️ INSTRUCȚIUNI DE SIGURANȚĂ PENTRU MAȘINILE DE GĂURIT

La găurirea cu percuție purtați echipament de protecție pentru auz. Expunerea la zgomot poate duce la pierderea auzului.

Utilizați manerele auxiliare livrate cu scula. Pierderea controlului poate provoca rănirea persoanelor.

Apucați scula electrică numai de mânerul izolat atunci când executați lucrări la care dispozitivul de lucru poate nimeri conductorii electrici ascunși sau propriul cablu de alimentare. Intrarea în contact a sculei tăietoare cu o linie electrică prin care circulă curent poate pune sub tensiune și componente metalice ale aparatului și să ducă la electrocutare.

⚠️ INSTRUCȚIUNI DE SIGURANȚĂ PENTRU MAȘINILE DE ÎNȘURUBAT

Țineți aparatul de mânerul izolat atunci când executați lucrări la care șurubul ar putea atinge cabluri de curent ascunde sau peste cablul propriu. Contactul șurubului cu un conductor prin care circulă curentul electric poate pune sub tensiune componente metalice ale aparatului, provocând electrocutare.

Instrucțiuni suplimentare de siguranță și de lucru

Folosiți echipament de protecție. Purtați întotdeauna ochelari de protecție când lucrați cu mașina. Se recomandă utilizarea hainelor de protecție ca de ex. Măști contra prafului, mănuși de protecție, încălțăminte stabilă nealunecoasă, cască și apăraătoare de urechi.

Pastrăți cablul de alimentare la o distanță de aria de lucru a mașinii. Întotdeauna țineți cablul în spatele dvs.

Nu se admite prelucrarea unui material care poate pune în pericol sănătatea operatorului (de exemplu azbestul).

Când se lucrează pe pereți, tavan sau dușumea, aveți grijă să evitați cablurile electrice și țevile de gaz sau de apă.

Asigurați piesa de prelucrat cu un dispozitiv de fixare. Piesele neasigurate pot provoca accidente grave și stricăciuni.

La blocarea sculei demontabile vă rugăm să deconectați imediat aparatul! Nu conectați aparatul atâta timp cât scula demontabilă este blocată; dacă o faceți, s-ar putea să se producă un recul cu un cuplu mare de reacție. Găsiți și remediați cauza de blocare a sculei demontabile respectând indicațiile pentru siguranță.

Cauze posibile pentru aceasta pot fi:

- Agățarea în piesa de prelucrat
- Penetrarea completă în materialul de prelucrat
- Suprasolicitarea sculei electrice

Nu atingeți părțile mașinii aflate în rotație.

Scula introdusă poate să devină fierbinte în timpul utilizării.

AVERTISMENT! Pericol de arsuri

- la schimbarea sculei
- la depunerea aparatului

Rumeguşul și spanul nu trebuie îndepărtate în timpul funcționării mașinii.

Întotdeauna scoateți stecarul din priză înainte de a efectua intervenții la mașină.

CONDIȚII DE UTILIZARE SPECIFICE

Mașina electronică de găurit / de înșurubat pot fi utilizate universal pentru găurire, găurire cu percuție, înșurubare și tăiere filete.

DECLARAȚIE DE CONFORMITATE

Declarăm pe propria răspundere că produsul descris în capitolul „Date tehnice” îndeplinește toate cerințele relevante ale directivelor:

2011/65/EU (RoHS)

2014/30/EU

2006/42/CE

și au fost utilizate următoarele standarde armonizate

EN 60745-1:2009 + A11:2010

EN 60745-2-1:2010

EN 60745-2-2:2010

EN 55014-1:2006 + A1:2009 + A2:2011

EN 55014-2:1997 + A1:2001 + A2:2008

EN 61000-3-2:2014

EN 61000-3-3:2013

EN 50581:2012



Winnenden, 2016-03-25

Alexander Krug / Managing Director

Împuternicit să elaboreze documentația tehnică.

Techtronic Industries GmbH

Max-Eyth-Straße 10, 71364 Winnenden, Germany

ALIMENTARE DE LA REȚEA

Aparatele utilizate în multe locații diferite inclusiv în aer liber trebuie conectate printr-un disjunctur (FI, RCD, PRCD) care previne comutarea.

Conectați numai la priză de curent alternativ monofazat și numai la tensiunea specificată pe placuța indicatoare. Se permite conectarea și la prize fără împantament dacă modelul se conformează clasei II de securitate.

Conectați la rețea numai când mașina este oprită.

INTREȚINERE

Fantele de aerisire ale mașinii trebuie să fie menținute libere tot timpul

Dacă mașina este folosită în principal pentru perforare prin percuție, înlăturați în mod regulat praful colectat din mandrină. Pentru a înlătura praful, țineți mașina cu mandrina vertical în jos și deschideți mandrina complet și închideți-o. Praful colectat va cădea din mandrină. Se recomandă utilizarea regulată a unui aspirator pentru fălcile de strângere și orificiile acestora.

Dacă cablul de racordare la rețea este avariât, acesta trebuie înlocuit la un punct de service, deoarece pentru aceasta este nevoie de scule speciale.

Utilizați numai accesorii și piese de schimb AEG. Dacă unele din componente care nu au fost descrise trebuie înlocuite, vă rugăm contactați unul din agenții de service AEG (vezi lista noastră pentru service / garanție)

Dacă este necesară, se poate comanda o imagine descompusă a sculei. Vă rugăm menționați numărul art. Precum și tipul mașinii tipărit pe etichetă și comandați desenul la agenții de service locali sau direct la Techtronic Industries GmbH, Max-Eyth-Straße 10, 71364 Winnenden, Germany.

SIMBOLURI



PERICOL! AVERTIZARE! ATENȚIE!



Întotdeauna scoateți stecarul din priza înainte de a efectua intervenții la mașină.



Vă rugăm citiți cu atenție instrucțiunile înainte de pornirea mașinii



Accesoriu - Nu este inclus în echipamentul standard, disponibil ca accesoriu



Aruncarea aparatelor electrice la gunoiul menajer este interzisă. Echipamentele electrice și electronice trebuie colectate separat și predate la un centru de reciclare și eliminare a deșeurilor, pentru a fi eliminate ecologic. Interesați-vă la autoritățile locale sau la comerciantul dvs. de specialitate unde se află centre de reciclare și puncte de colectare.



Sculă electrică cu clasa de protecție II. Sculă electrică la care protecția împotriva unei electrocutări nu depinde doar de izolația de bază, ci și de aplicarea de măsuri suplimentare de protecție, cum ar fi o izolație dublă sau o izolație mai puternică.



Marcaj CE



Marcaj de conformitate UkrSEPRO.



Marcaj de conformitate EurAsian.





ТЕХНИЧКИ ПОДАТОЦИ Ударна бормашина а	SB2E 850 R	SB2E 1100 RV
Произведен број	4473 61 02... ... 000001-999999	4473 76 02... ... 000001-999999
Определен внес	850 W	1100 W
Излез	460 W	600 W
Брзина без оптоварување прва брзина	0-1000 min ⁻¹	0-1000 min ⁻¹
Брзина без оптоварување втора брзина	0-3000 min ⁻¹	0-3000 min ⁻¹
Брзина при оптоварување прва брзина	0-680 min ⁻¹	0-680 min ⁻¹
Брзина при оптоварување втора брзина	0-2000 min ⁻¹	0-2000 min ⁻¹
Јачина на удар под оптоварување макс.	38000 min ⁻¹	38000 min ⁻¹
Големина на удар макс.	57000 min ⁻¹	57000 min ⁻¹
Статички момент на блокирање	56/30 Nm	60/33 Nm
Капацитет на дупчење во бетон	20 mm	22 mm
Капацитет на дупчење во тули и плочки	22 mm	24 mm
Капацитет на дупчење во челик	13 mm	16 mm
Капацитет на дупчење во дрво	40 mm	40 mm
Опсег на отворање на бушотина	1,5-13 mm	1,5-13 mm
Возен крак	1/2" - 20 UNF	1/2" - 20 UNF
Дијаметар на вратот на врв.	43 mm	43 mm
Тежина според ЕПТА-процедурата 01/2003	2,7 kg	2,9 kg
Информации за бучавата Измерените вредности се одредени согласно стандардот EN 60745. А-оценетото ниво на бучава на апаратот типично изнесува:		
Ниво на звучен притисок. (Несигурност K=3dB(A))	100,0 dB (A)	94,0 dB (A)
Ниво на јачина на звук. (Несигурност K=3dB(A))	111 dB (A)	105 dB (A)
Носте штитник за уши.		
Информации за вибрации Вкупни вибрациски вредности (векторски збир на трите насоки) пресметани согласно EN 60745.		
Дупчење во метал: Вибрациска емисиона вредност a _{h,d} Несигурност K	2,7 m/s ² 1,5 m/s ²	3,5 m/s ² 1,5 m/s ²
Перкусиско дупчење во бетон: Вибрациска емисиона вредност a _{h,10} Несигурност K	13,4 m/s ² 1,5 m/s ²	12,2 m/s ² 1,5 m/s ²
Уртување на штрафовите без вибрации: Вибрациска емисиона вредност a _h Несигурност K	1,1 m/s ² 1,5 m/s ²	1,8 m/s ² 1,5 m/s ²

ПРЕДУПРЕДУВАЊЕ!

Нивото на осцилација наведено во овие инструкции е измерено во согласност со мерните постапки нормирани во EN 60745 и може да биде употребено за меѓусебна споредба на електро-алати. Ова ниво може да се употреби и за привремена проценка на оптоварувањето на осцилацијата.

Наведеното ниво на осцилација ги репрезентира главните намени на електро-алатот. Но, доколку електро-алатот се употребува за други намени, со отстапувачки додатоци или со несоодветно одржување, нивото на осцилација може да отстапи. Тоа може значително да го зголеми оптоварувањето на осцилацијата за време на целиот работен период.

За прецизна проценка на оптоварувањето на осцилацијата предвид треба да бидат земени и времињата, во коишто апаратот е исклучен или работи, но фактички не се употребува. Тоа може значително да го намали оптоварувањето на осцилацијата за време на целиот работен период.

Утврдете дополнителни безбедносни мерки за заштита на операторот од влијанието на осцилациите, како на пример: одржување на електро-алатот и на додатоци кон електро-алатот, одржување топли раце, организација на работните процеси.

▲ ПРЕДУПРЕДУВАЊЕ! Прочитајте ги сите безбедносни упатства и инструкции. Заборавање на почитувањето на безбедносните упатства и инструкции можат да предизвикаат електричен удар, пожар и/или тешки повреди.
Сочувајте ги сите безбедносни упатства и инструкции за во иднина.

▲ БЕЗБЕДНОСНИ НАПОМЕНИ ЗА ПЕРКУСИОНИ БОРМАШИНИ

При работата со перкусионата бормашина носете заштита за ушите. Влијанието на бука може да предизвика губење на сетилото за слух.

Користете помошни рачки кои доаѓаат заедно со алатот. Губењето контрола може да предизвика повреда.

з) Фаќајте го електро-алатот само на изолирани површини за држење, додека извршувате работи, кај кој приборот може да погоди скриени струјни водови или сопствениот кабел за напојување со струја. Контакт со жица под напон исто така ќе направи проводници од металните делови и оној кој ракува со алатот ќе доживее струен удар.

▲ БЕЗБЕДНОСНИ НАПОМЕНИ ЗА ЗАШТРАФУВАЊЕ

Држете го електричниот алат за издадените површини при изведување на операции при кои завртката може можат да дојдат во контакт со скриени жици или сопствениот гајтан. Контактот на навртката со вод под напон може да ги стави металните делови од апаратот под напон и да доведе до електричен удар.

Останати безбедносни и работни упатства

Употребувајте заштитна опрема. При работа со машината постојано носете заштитни очила. Се препорачува заштитна облека како: маска за заштита од прашина, заштитни ракавици, цврсти чевли што не се лизгаат, кацига и заштита за уши.

Чувајте го кабелот за напојување подалеку од работната површина. Секогаш водете го кабелот позади вас.

Не смеат да бидат обработувани материјали кои што можат да го загорзат здравјето (на пр. азбест).

Кога работите на сидови, таван или под внимавајте да ги избегнете електричните, гасните и водоводни инсталации.

Обезбедете го предметот кој што го обработувате со направа за напон. Необезбедени парчиња кои што се обработуваат можат да предизвикаат тешки повреди и оштетувања.

Доколку употребуваното орудие се блокира, молиме веднаш да се исклучи апаратот! Не го вклучувајте апаратот повторно додека употребуваното орудие е блокирано; притоа би можело да дојде до повратен удар со висок момент на реакција. Испитајте и отстранете ја причината за блокирањето на употребеното орудие имајќи ги во предвид напомените за безбедност.

Можни причини за тоа може да бидат следните:

- Закантување во парчето кое што се обработува
- кршење на материјалот што се обработува
- Преоптоварување на електричното орудие

Не фаќајте во машината кога работи.

Употребеното орудие за време на примената може да стане многу жешко.

ПРЕДУПРЕДУВАЊЕ! Опасност од изгоретини

- при менување на орудие
- при ставање на апаратот на страна

Прашината и струготините не смеат да се одстрануваат додека е машината работи.

Секогаш кога преземате активности врз машината исклучете го кабелот од струјата.

СПЕЦИФИЦИРАНИ УСЛОВИ НА УПОТРЕБА

Електронската дупчалка/шрафцигер може да биде користена универзално за дупчење, перкусионо дупчење, зашрафување исечење на шrafoви.

ЕУ-ДЕКЛАРАЦИЈА ЗА СООБРАЗНОСТ

Под целосна лична одговорност изјавуваме дека производот опишан во „Технички податоци“ е во сообразност со сите релевантни прописи од директивите:

2011/65/EU (RoHS)

2014/30/EU

2006/42/EC

и дека се применети следните хармонизирани стандарди

EN 60745-1:2009 + A11:2010

EN 60745-2-1:2010

EN 60745-2-2:2010

EN 55014-1:2006 + A1:2009 + A2:2011

EN 55014-2:1997 + A1:2001 + A2:2008

EN 61000-3-2:2014

EN 61000-3-3:2013

EN 50581:2012



Winnenden, 2016-03-25

Alexander Krug / Managing Director

Ополномоштен за составување на техничката документација.

Techtronic Industries GmbH

Max-Eyth-Straße 10, 71364 Winnenden, Germany

ГЛАВНИ ВРСКИ

Уредите кои се користат на многу различни локации вклучувајќи и отворен простор мора да бидат поврзани за струја преку направата за поврзување (FI, RCD, PRCD).

Да се спои само за една фаза AC коло и само на главниот напон наведен на плочката. Можно е исто така и поврзување на приклучок без заземјување доколку изведбата соодветствува на безбедност од 2 класа.

Вклучувањето на кабелот во струја се прави исклучиво машината е исклучена.

ОДРЖУВАЊЕ

Вентилациските отвори на машината мора да бидат комплетно отворени постојано.

Доколку машината воглавном се користи за удирачко дупчење, редовно чистете ја насобраната прашина од продолжетокот.



За да го направите тоа држете ја машината свртена со главата надолу вертикално и потполно отворете ја и затворете ја главата. Насобраната прашина ќе падне од неа. Се препорачува редовно користење на клинер за стегите и затегачите.

Ако приклучниот мрежен вод е оштетен, тој мора да биде заменет од служба за клиенти, бидејќи за тоа е потребен посебен алат.

Користете само AEG додатоци и резервни делови. Доколку некои од компонентите кои не се опишани треба да бидат заменети, Ве молиме контактирајте ги сервисните агенти на AEG (консултирајте ја листата на адреси).

Доколку е потребно можно е да биде набавен детален приказ на алатот. Ве молиме наведете го бројот на артиклот како и типот на машина кој е отпечатен на етикетата и порачајте ја скицата кај локалниот застапник или директно кај: Techtronic Industries GmbH, Max-Eyth-Straße 10, 71364 Winnenden, Germany.



СИМБОЛИ



ВНИМАНИЕ! ПРЕДУПРЕДУВАЊЕ! ОПАСНОСТ!



Секогаш кога преземате активности врз машината исклучете го кабелот од струјата.



Ве молиме пред да ја стартувате машината обрнете внимание на упатствата за употреба.



Дополнителна опрема - Не е вклучена во стандардната, а достапна е како додаток.



Електричните апарати не смеат да се фрлат заедно со домашниот отпад. Електричните и електронските апарати треба да се собираат одделно и да се однесат во соодветниот погон заради нивно фрлање во склад со начелата за заштита на околината. Информирајте се кај Вашите местни служби или кај специјализираниот трговски претставник, каде има такви погони за рециклажа и собирни станици.



Електрично орудие од заштитната категорија II. Електрично орудие чијашто заштита од електричен удар не зависи само од основната изолација туку и од тоа дали ќе се применат дополнителните заштитни мерки како што се двоструките изолации или појачаната изолација.



CE-знак



UkrSEPRO знак на конформитет.



EurAsian (Евроазиски) знак на конформитет.

ТЕХНІЧНІ ХАРАКТЕРИСТИКИ Ударний дріль	SB2E 850 R	SB2E 1100 RV
Номер виробу	4473 61 02... ... 000001-999999	4473 76 02... ... 000001-999999
Номінальна споживана потужність	850 W	1100 W
Відавана потужність	460 W	600 W
Кількість обертів холостого ходу 1-а передача	0-1000 min ⁻¹	0-1000 min ⁻¹
Кількість обертів холостого ходу 2-а передача	0-3000 min ⁻¹	0-3000 min ⁻¹
Кількість обертів під навантаженням 1-а передача	0-680 min ⁻¹	0-680 min ⁻¹
Кількість обертів під навантаженням 2-а передача	0-2000 min ⁻¹	0-2000 min ⁻¹
Кількість ударів під навантаженням макс.	38000 min ⁻¹	38000 min ⁻¹
Кількість ударів макс.	57000 min ⁻¹	57000 min ⁻¹
Статичний момент блокування	56/30 Nm	60/33 Nm
Ø свердління бетону	20 mm	22 mm
Ø свердління цегли та силікатної цегли	22 mm	24 mm
Ø свердління сталі	13 mm	16 mm
Ø свердління деревини	40 mm	40 mm
Ділянка затискання свердлильного патрона	1,5-13 mm	1,5-13 mm
Розточувальний шпindelь	1/2" - 20 UNF	1/2" - 20 UNF
Шийка затиску, Ø	43 mm	43 mm
Вага згідно з процедурою EPTA 01/2003	2,7 kg	2,9 kg
Інформація про шум Виміряні значення визначені згідно з EN 60745. Рівень шуму „А“ приладу становить в типовому випадку:		
Рівень звукового тиску (похибка К = 3 дБ(А))	100,0 dB (A)	94,0 dB (A)
Рівень звукової потужності (похибка К = 3 дБ(А))	111 dB (A)	105 dB (A)
Використовувати засоби захисту органів слуху!		
Інформація щодо вібрації Сумарні значення вібрації (векторна сума трьох напрямків), встановлені згідно з EN 60745.		
Свердління в метали: Значення вібрації a _{h,D} похибка К =	2,7 m/s ² 1,5 m/s ²	3,5 m/s ² 1,5 m/s ²
Ударне свердління бетону: Значення вібрації a _{h,10} похибка К =	13,4 m/s ² 1,5 m/s ²	12,2 m/s ² 1,5 m/s ²
Пригвинчування без ударної дії: Значення вібрації a _h похибка К =	1,1 m/s ² 1,5 m/s ²	1,8 m/s ² 1,5 m/s ²



ПОПЕРЕДЖЕННЯ!

Рівень вібрації, вказаний в цій інструкції, вимірювався згідно з методом вимірювання, нормованим стандартом EN 60745, і може використовуватися для порівняння електроінструментів. Він призначений також для попередньої оцінки навантаження від вібрації.

Вказаний рівень вібрації відповідає основним сферам використання електроінструменту. Але якщо електроінструмент використовується для іншої мети, з іншими вставними інструментами або при недостатньому технічному обслуговуванні, рівень вібрації може бути іншим. Це може значно підвищити навантаження від вібрації за весь період роботи.

Для точної оцінки навантаження від вібрації необхідно також враховувати час, коли прилад вимкнений або увімкнений, але фактично не використовується. Це може значно зменшити навантаження від вібрації за весь період роботи.

Визначте додаткові заходи безпеки для захисту оператора від дії вібрації, наприклад: Технічне обслуговування електроінструменту та вставних інструментів, зігрівання рук, організація робочих процесів.

⚠ ПОПЕРЕДЖЕННЯ! Прочитайте всі вказівки з техніки безпеки та інструкції. Упущення при дотриманні вказівок з техніки безпеки та інструкції можуть призвести до ураження електричним струмом, пожежі та/або тяжких травм.
Зберігайте всі вказівки з техніки безпеки та інструкції на майбутнє.

⚠ ВКАЗІВКИ З ТЕХНІКИ БЕЗПЕКИ ДЛЯ ДРИЛІВ

Використовуйте засоби захисту органів слуху при ударному свердлінні. Вплив шуму може спричинити втрату слуху.

Використовувати додаткові рукоятки, що постачаються з приладом. Втрата контролю може призвести до пошкодження.

Під час виконання робіт тримайте електроінструмент за ізольовані поверхні рукояток, якщо вставний інструмент може натрапити на приховані електричні лінії або власний мережевий кабель. Контакт з лінією під напругою може призвести до появи напруги в металевих частинах приладу та до ураження електричним струмом.

⚠ ВКАЗІВКИ З ТЕХНІКИ БЕЗПЕКИ ДЛЯ ГВИНТОКРУТА

Тримайте пристрій за ізольовані поверхні ручок, коли виконуєте роботу, під час якої гвинт може наштотхнутися на приховані електропроводи або на власний кабель. Контакт гвинта з лінією під напругою може призвести до появи напруги також в металевих частинах приладу та до ураження електричним струмом.

Додаткові інструкції з техніки безпеки та експлуатації

Використовуйте індивідуальні засоби захисту. Під час роботи з машиною завжди носити захисні окуляри. Радимо використовувати захисний одяг, як наприклад маску для захисту від пилу, захисні рукавиці, міцне та нековзне взуття, каску та засоби захисту органів слуху.

З'єднувальний кабель завжди тримати за межами радіуса дії машини. Вести кабель завжди позаду машини.

Не можна обробляти матеріали, небезпечні для здоров'я (наприклад, азбест).

Під час роботи на стінах, стелях або підлозі звертати увагу на електричні кабелі, газові та водопровідні лінії.

Зафіксувати заготовку в затискному пристрої. Незакріплені заготовки можуть привести до тяжких травм та пошкоджень.

При блокуванні вставного інструменту негайно вимкнути прилад! Не вмикайте прилад, якщо вставний інструмент заблокований; при цьому може виникати віддача з високим зворотним моментом. Визначити та усунути причину блокування вставного інструменту з урахуванням вказівок з техніки безпеки.

Причиною може бути:

- Перекіс в заготовці, що обробляється
- Пробивання оброблюваного матеріалу
- Перевантаження електроінструменту

Частини тіла не повинні потрапляти в машину, коли вона працює.

Вставний інструмент може нагріватися під час роботи.

ПОПЕРЕДЖЕННЯ! Небезпечна опік

- при заміні інструменту

- при відкладанні приладу

Не можна видаляти стружку або уламки, коли машина працює.

Перед будь-якими роботами на машині витягнути штекер із штепсельної розетки.

ВИКОРИСТАННЯ ЗА ПРИЗНАЧЕННЯМ

Ударний дріль/гвинтокрут з електронним управлінням можна використовувати універсально для свердління, ударного свердління, пригвинчування та нарізання різьби.

СЕРТИФІКАТ ВІДПОВІДНОСТІ ВИМОГАМ ЄС

Ми заявляємо на власну відповідальність, що виріб, описаний в „Технічних даних“, відповідає всім застосовним положенням директиви:

2011/65/EU (RoHS)

2014/30/EU

2006/42/EC

та наступним гармонізованим нормативним документам:

EN 60745-1:2009 + A1:2010

EN 60745-2-1:2010

EN 60745-2-2:2010

EN 55014-1:2006 + A1:2009 + A2:2011

EN 55014-2:1997 + A1:2001 + A2:2008

EN 61000-3-2:2014

EN 61000-3-3:2013

EN 50581:2012



Winnenden, 2016-03-25

Alexander Krug / Managing Director

Уповноважений із складання технічної документації.

Techtronic Industries GmbH

Max-Eyth-Straße 10, 71364 Winnenden, Germany

ПІДКЛЮЧЕННЯ ДО МЕРЕЖИ

Штепсельні розетки за межами приміщень та на вологих ділянках повинні бути оснащені автоматичним запобіжним вимикачем, який спрацює при появі струму витоку (FI, RCD, PRCD). Для цього необхідні монтажні інструкції для вашої електричної системи. Майте це на увазі при користуванні нашим приладом.

Підключати лише до однофазного змінного струму і напруги мережі, які вказані на фірмовій табличці з паспортними даними. Можливе підключення також до штепсельних розеток без захисного контакту, адже конструкція має клас захисту II.

Під'єднати машину до штепсельної розетки тільки в вимкненому стані.

ОБСЛУГОВУВАННЯ

Завжди підтримувати чистоту вентиляційних отворів.

Якщо часто використовується режим ударного свердління, свердильний патрон необхідно регулярно чистити від пилу. Для цього тримати машину патроном вертикально донизу

Українська



та повністю відкривати та закривати свердильний патрон. Так накопичений пил випадає з патрону. Радимо регулярно використовувати спрей для чищення на затискових кулачках та отворах для затискових кулачків.

Якщо мережевий кабель живлення пошкоджений, то його повинна замінити сервісна служба, щоб уникнути небезпеки. Використовувати комплектуючі та запчастини тільки від AEG. Деталі, заміна яких не описується, замінювати тільки в відділі обслуговування клієнтів AEG (зверніть увагу на брошуру „Гарантія / адреси сервісних центрів“).

У разі необхідності можна запросити креслення з зображенням вузлів машини в перспективному вигляді, для цього потрібно звернутися в ваш відділ обслуговування клієнтів або безпосередньо в Techtronic Industries GmbH, Max-Eyth-Strasse 10, 71364 Winnenden, Німеччина, та вказати тип машини та шестизначний номер на фірмовій табличці з даними машини.

СИМВОЛИ



УВАГА! ПОПЕРЕДЖЕННЯ! НЕБЕЗПЕЧНО!



Перед будь-якими роботами на машині витягнути штекер із штепсельної розетки.



Уважно прочитайте інструкцію з експлуатації перед введенням приладу в дію.



Комплектуючі - не входять в обсяг постачання, рекомендовані доповнення з програми комплектуючих.



Електричні прилади не можна утилізувати з побутовими відходами. Електричні та електронні прилади необхідно збирати окремо та здавати в спеціалізовані підприємства для утилізації, що не шкодить навколишньому середовищу. Зверніться до місцевих органів або до вашого дилера, щоб отримати адреси пунктів вторинної переробки та пунктів прийому.



Електроінструмент класу захисту II. Електроінструмент, в якому захист від враження електричним струмом залежить не лише від базової ізоляції, але й від використовуваних додаткових засобів захисту, таких як подвійна ізоляція або посилена ізоляція.



Знак CE



Знак відповідності для UkrSEPRO



Знак відповідності для Європи та Азії EurAsian



بأحد عملاء صيانة AEG (انظر قائمة عناوين الضمان/
الصيانة الخاصة بنا).
عند الحاجة يمكن طلب رمز انفجار الجهاز بعد ذكر طراز
الألة والرقم السداسي المذكور على بطاقة طاقة الألة لدى جهة
خدمة العملاء أو مباشرة لدى شركة
Techtronic Industries GmbH
Max-Eyth-Straße 10
71364 Winnenden
ألمانيا

زومرلا



تنبيه! تحذير! خطرا!



افصل دائما القابس عن المقبس قبل تنفيذ أي عمل
بالجهاز.



يرجى قراءة التعليمات بعناية قبل بدء تشغيل الجهاز.



الملحق - ليس مدرجا كمعدة قياسية، متوفر كملحق.



يحظر التخلص من الأجهزة الكهربائية في القمامة
المنزلية. يجب جمع الأجهزة الكهربائية والإلكترونية
منفصلة وتسليمها للتخلص منها بشكل لا يضر
بالبيئة لدى شركة إعادة استغلال. الرجاء الاستفسار
لدى الهيئات المحلية أو لدى التجار المتخصصين عن
مواقع إعادة الاستغلال ومواقع الجمع.



أداة كهربائية ذات درجة حماية 2 أداة كهربائية لا
تتوقف الحماية فيها من الصعق الكهربائي ليس فقط
على العزل الأساسي، بل أيضا على إجراءات الحماية
الإضافية، مثل العزل المزدوج أو العزل المقوى.



CE علامة المطابقة الأوروبية

UkrSEPRO علامة المطابقة



TR 066

ERAC علامة المطابقة الأوروبية الأسيوية



شروط الاستخدام المحددة

يمكن استخدام المثقاب الدقاق الإلكتروني/مفك مسامير عموماً في الحفر والحفر الدقاق وفك المسامير وقطع أسنان ر

إعلان المطابقة - الاتحاد الأوروبي

نعلن تحت مسؤوليتنا وحدنا أن المنتج المعين تحت اسم «البيانات الفنية» يستوفي جميع الأحكام ذات الصلة ضمن التوجيهات:

2011/65/EU (Rohs)

2014/30/EU

2006/42/EG

والمعايير المتسقة التالية

EN 60745-1-2:2009 + A11:2010

EN 60745-2-1:2010

EN 60745-2-2:2010

EN 55014-1-2:2006 + A1:2009 + A2:2011

EN 55014-2-1:1997 + A1:2001 + A2:2008

EN 61000-3-2:2014

EN 61000-3-3:2013

EN 50581:2012

Winnenden, 2016-03-25



Alexander Krug

Alexander Krug / Managing Director

معمتدة للمطابقة مع الملف الفني

Techtronic Industries GmbH

Max-Eyth-Straße 10, 71364 Winnenden,
Germany

توصيل الموصلات الرئيسية

يجب تزويد القوابس في الغرف الرطبة وفي الأماكن الخارجية بأزرار حماية ضد تيار العطل (FI, RCD, PRCD). هذا يتطلب تعليمات التركيب الخاصة بجهازك. الرجاء مراعاة ذلك عند استخدام جهازنا.

قم بالتوصيل بتيار متردد أحادي الطور وبنظام الجهد الكهربائي المحدد على لوحة الجهد المقنن فقط. يمكن أيضاً التوصيل بالمقاييس غير الموردة حيث يتطابق التصميم مع معايير سلامة الفئة الثانية لحماية الأجهزة الكهربائية. يتم توصيل القابس فقط عندما تكون الآلة مطفأة.

الصيانة

يجب أن تكون فحطات تهوية الجهاز نظيفة طوال الوقت. إذا كانت الآلة تستخدم بشكل أساسي في الحفر الدقاق، اعمل على إزالة الأتربة المترامية من الطرف دورياً. لإزالة الأتربة، امسك الآلة بحيث يكون الطرف موجهاً إلى الأسفل بشكل عمودي، ثم افتح الطرف بشكل كامل واغلقه. سوف تسقط الأتربة المترامية من الطرف. ينصح باستخدام المنظف دورياً لتنظيف فكوك التثبيت وخرطاطات فكوك التثبيت.

في حالة تلف كبل الطاقة في هذا الجهاز، يجب استبداله فقط بواسطة ورشة تصليح يحددها المصنّع لتجنب المخاطر التي تنجم بالمخاطرة.

استخدم ملحقات AEG وقطع الغيار التابعة لها فقط. إذا كانت المكونات التي يجب تغييرها غير مذكورة، يرجى الاتصال

⚠ تحذير! اقرأ جميع تحذيرات السلامة وجميع التعليمات، بما فيها. قد يؤدي الفشل في مراعاة التحذيرات والتعليمات إلى التعرض للإصابة بصدمة كهربائية أو الحرق و/أو إصابة خطيرة.
احتفظ بجميع التنبيهات والتعليمات للرجوع إليها مستقبلاً.

⚠ تحذيرات السلامة عند استخدام المثقب

د واقيات الأذن عند استخدام المثقب. ارتد قد يسبب التعرض للضوضاء إلى فقدان السمع.
استخدم المقابض الإضافية، إذا كانت مرفقة مع الأداة. اقد يسبب فقدان السيطرة حدوث إصابة شخصية.
امسك الآلة الكهربائية من سطح القبض المعزولة فقط، وذلك عند القيام بعملية قد يلمس فيها أحد ملحقات آلة القطع أسلاك مخفية أو السلك الخاص بها. تتسبب ملامسة أحد ملحقات آلة القطع بسلك كهربائي، بموصلة" في جعل الأجزاء المعدنية المكشوفة بالآلة الكهربائية، بموصلة" كهربائياً مما يجعل المشغل عرضة لصدمة كهربائية.

⚠ تحذيرات السلامة عند استخدام مفك البرغي:

يجب الإمساك بالآلة الكهربائية من خلال أسطح القبض المعزولة وذلك عند القيام بعملية ما حيث قد تلامس أداة التثبيت أسلاك مخفية أو السلك الخاص بها. إن ملامسة أدوات التثبيت للأسلاك الكهربائية، الموصلة" قد يجعل الأجزاء المعدنية المكشوفة من الآلة الكهربائية، موصلة" للكهرباء" وبالتالي فقد يجعل المشغل عرضة لصدمة كهربائية.

إرشادات أمان وعمل إضافية

استخدم معدة الوقاية. ارتد دائماً نظارة الوقاية عند العمل بالآلة. ينصح باستخدام الملابس الواقية مثل الكمامات، الواقية من الغبار، والقفازات، والأحذية القوية غير المنزلقة، والخوذات، وواقيات الأذن.
ابق السلك الرئيسي بعيداً عن نطاق عمل الجهاز. ابق دائماً السلك بعيداً عنك أو خلفك.
لا يجوز استخدام مواد ينجم عنها أضرار على الصحة (حزير صخري).

عند العمل في سقف الحوائط أو الأرضية، توخ الحذر وتجنب الكابلات الكهربائية وأنابيب الغاز أو المياه.
قم بتأمين القطعة المستخدمة من المواد في تجهيزة تثبيت. القطع المستخدمة من المواد الغير مرمنة يمكن أن تسبب في إصابات وأضرار حادة.

الرجاء إيقاف تشغيل الجهاز على الفور في حالة عرقلة أداة الاستعمال! لا تقم بتشغيل الجهاز مرة أخرى، طالما أن الأداة المستخدمة زالت في حالة عرقلة؛ حيث يمكن أن يحدث هنا إرتداد عكسي مصوب بقوة رد فعل عالية. قم بالبحث وإزالة أسباب عرقلة أداة الاستعمال مع مراعاة تعليمات الأمان.

الأسباب الممكنة لذلك يمكن أن تكون هي:
• انحدار في القطعة المخصصة للاستعمال
• إنكسار المواد المستخدمة.
• زيادة الحمل على الآلة الكهربائية
لا تلامس بيديك الماكينة أثناء دورانها.
الأداة المستخدمة قد تسخن خلال الاستخدام.
تحذير! هناك خطر الإصابة بحروق
• عند استبدال الأداة
• عند وضع الجهاز
لا يجب إزالة النشارة والشظايا أثناء تشغيل الآلة.
افصل دائماً المقابس عن المقبس قبل تنفيذ أي عمل بالجهاز.

SB2E 1100 RV	SB2E 850 R	البيانات الفنية متقب حفر
4473 76 02... ... 000001-999999	4473 61 02... ... 000001-999999	إنتاج عدد
1100 W	850 W	الدخل المقدر
600 W	460 W	الخرج
0-1000 min ⁻¹	0-1000 min ⁻¹	أقصى سرعة دون وجود حمل السرعة الأولى
0-3000 min ⁻¹	0-3000 min ⁻¹	أقصى سرعة دون وجود حمل السرعة الثانية
0-680 min ⁻¹	0-680 min ⁻¹	السرعة عند أقصى حمل السرعة الأولى
0-2000 min ⁻¹	0-2000 min ⁻¹	السرعة عند أقصى حمل السرعة الثانية
38000 min ⁻¹	38000 min ⁻¹	معدل الحفر بالذق تحت الحمل الحد الأقصى
57000 min ⁻¹	57000 min ⁻¹	معدل التصادم الحد الأقصى
60/33 Nm	56/30 Nm	لحظة التشويش لاستاتيكي*
22 mm	20 mm	قوة الحفر في الخرسانة
24 mm	22 mm	قوة الحفر في الطوب والبلاط
16 mm	13 mm	قوة الحفر في معدني
40 mm	40 mm	قوة الحفر في الخشب اللين
1,5-13 mm	1,5-13 mm	نطاق طرف المتقاب
1/2" - 20 UNF	1/2" - 20 UNF	ساق التندوير
43 mm	43 mm	قطر عنق الطرف
2,9 kg	2,7 kg	الوزن وفقاً لنهج EPTA رقم 01/2003

معلومات الضوضاء

القيم التي تم قياسها محددة وفقاً للمعايير الأوروبية EN 60 745 مستويات ضوضاء الجهاز، ترجيحاً بشكل نموذجي كالتالي:

94,0 dB (A)	100,0 dB (A)	مستوى ضغط الصوت (الارتياح في القياس = 3 ديسيبل ((
105 dB (A)	111 dB (A)	مستوى شدة الصوت (الارتياح في القياس = 3 ديسيبل ((

ارتد وإقيات الأذن!

معلومات الاهتزاز

قيم الذبذبات الإجمالي (مجموع الكميات الموجهة في المحاور الثلاثة) محددة وفقاً للمعايير الأوروبية EN 60745.

3,5 m/s ²	2,7 m/s ²	ثقب المعادن: قيمة انبعاث الذبذبات a _{h,D}
1,5 m/s ²	1,5 m/s ²	الارتياح في القياس
12,2 m/s ²	13,4 m/s ²	الحفر الدقاق في الخرسانة: قيمة انبعاث الذبذبات a _{h,1D}
1,5 m/s ²	1,5 m/s ²	الارتياح في القياس
1,8 m/s ²	1,1 m/s ²	مفك برغي كهربائي غير مزود بدقاق: قيمة انبعاث الذبذبات a _n
1,5 m/s ²	1,5 m/s ²	الارتياح في القياس

تحذير!

تم قياس مستوى انبعاث الذبذبات الموجود بوثيقة المعلومات هذه وفقاً للاختبار القياسي وفقاً للمعايير الأوروبية EN 60745 ويمكن استخدامه لمقارنة جهاز بغيره كما يمكن استخدامه لعرض تقييم تمهيدى. يمثل مستوى انبعاث الذبذبات المعلن عنه تطبيقات الجهاز الرئيسية. بالرغم من ذلك، فإنه إذا ما تم استخدام الجهاز لتطبيقات مختلفة، بملحقات مختلفة أو لم يتم المحافظة عليه، فقد يختلف انبعاث الذبذبات. قد يزيد ذلك بصورة كبيرة من مستوى التعرض للذبذبات طوال فترة العمل الإجمالية. يجب الوضع في الاعتبار عند تقدير مستوى التعرض للذبذبات مرات إيقاف الجهاز أو تشغيله لكن دون استخدامه في القيام المهمة. فقد يقل ذلك بصورة كبيرة من مستوى التعرض للذبذبات طوال فترة العمل الإجمالية. تعرف على معايير السلامة الإضافية لحماية المشغل من آثار الذبذبات مثل: صيانة الجهاز والملحقات، الحفاظ على دفء الأيدي، وتنظيم نماذج العمل.

AEG

POWERTOOLS

www.aeg-powertools.eu

(02.16)
4931 4250 76



EAC

Techtronic Industries GmbH
Max-Eyth-Straße 10
71364 Winnenden
Germany