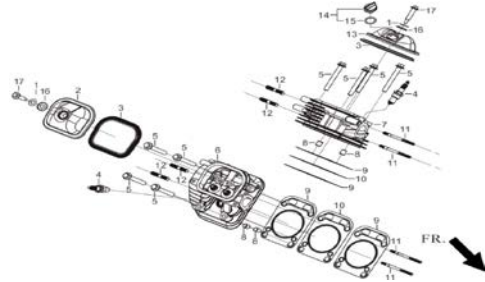
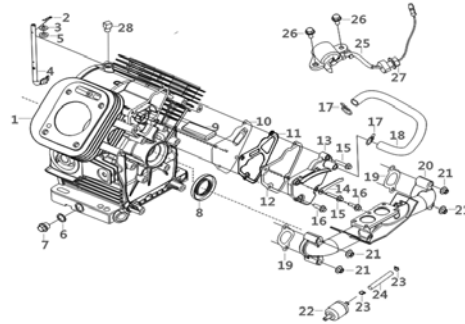


FIG.1 HEAD SUBASSEMBLY, CYLINDER / PLUG,SPARK(E01)



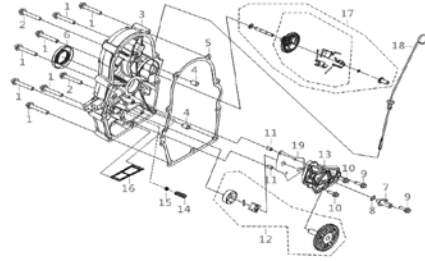
REF.NO.	PART NO	DESCRIPTION	Q'TY
E01-1	12031-Z130110-0000	GASKET, CYLINDER HEAD COVER	2
E01-2	12411-Z130110-0000	COVER, CYLINDER HEAD	1
E01-3	12004-Z130110-0000	GASKET, CYLINDER HEAD COVER	2
E01-4	30010-Z120210-0000	PLUG, SPARK	2
E01-5	12003-Z080110-0000	BOLT, CYLINDER HEAD	8
E01-6	12140-Z130510-0000	HEAD SUBASSEMBLY, CYLINDER	1
E01-7	12210-Z130510-0000	HEAD SUBASSEMBLY, RIGHT CYLINDER	1
E01-8	90502-1220-00	PIN	4
E01-9	12131-Z130120-0000	GASKET, CYLINDER HEAD	4
E01-10	12134-Z130110-0000	CORE BAND	2
E01-11	90204-0845-A1	STUD	4
E01-12	90203-Z010110-0000	STUD	4
E01-13	12411-Z130210-0000	COVER, CYLINDER HEAD	1
E01-14	15031-Z120110-Q500	PLUG SUBASSEMBLY, ENGINE OIL	1
E01-15	90681-Z080210-0000	RING, SEAL	1
E01-16	12033-Z130110-0000	GASKET, CYLINDER HEAD COVER BOLT	2
E01-17	12032-Z130210-0000	BOLT, CYLINDER HEAD	2

FIG.2 CRANKCASE.(E01)



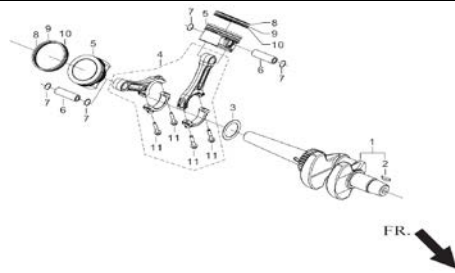
REF.NO.	PART NO	DESCRIPTION	Q'TY
E02-1	11310-Z120310-0000	CRANKCASE SUBASSEMBLY.	1
E02-2	90501-Z010110-0000	PIN	1
E02-3	90406-0800-E1	WASHER, FLAT	1
E02-4	16047-Z130110-0000	ARM, GOVERNOR	1
E02-5	90682-Z130220-0000	SEAL, OIL	1
E02-6	90412-Z080110-0000	WASHER, FLAT	2
E02-7	11007-Z080110-0000	BOLT, DRAIN PLUG	2
E02-8	90682-Z130120-0000	SEAL, OIL	1
E02-9	11331-Z250110-0000	STRAINER, BREATH GROOVE	1
E02-10	11320-Z120120-0000	PIECE, BREATH	1
E02-11	11332-Z130130-0000	GASKET, BREATH GROOVE	1
E02-12	11332-Z120120-0000	GASKET, BREATH GROOVE	1
E02-13	11333-Z120120-0000	PLATE, BREATH GROOVE COVER	1
E02-14	54066-Z130110-0000	CLAMP	1
E02-15	90007-0630-A1	BOLT	2
E02-16	90007-0620-A1	BOLT	2
E02-17	90685-Z130210-0000	CLAMP	2
E02-18	17004-Z120110-0000	TUBE, BREATHER	1
E02-19	17002-Z130120-0000	GASKET, INLET	2
E02-20	12510-Z130120-0000	TUBE, INTAKE	1
E02-21	90305-0800-31	NUT	4
E02-22	16510-Z130130-0000	STRAINER, FUEL	1
E02-23	90685-1000-Z4	CLAMP	2
E02-24	90686-Z120310-0000	TUBE, FUEL	1
E02-25	37060-Z010120-0000	SENSOR, ENGINE OIL	1
E02-26	90007-0630-A1	BOLT	2
E02-27	90305-Z010210-01	NUT	1
E02-28	90722-Z120110-0000	PLUG, END	1

FIG.3 COVER SUBASSEMBLY, CRANKCASE / GEAR ASSY, GOVERNOR(E16)



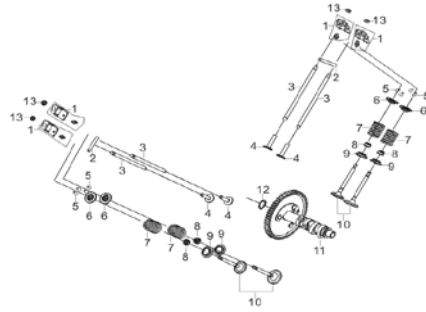
REF.NO.	PART NO	DESCRIPTION	Q'TY
E03-1	90001-0850-01	BOLT	7
E03-2	90001-0855-01	BOLT	2
E03-3	11410-Z120210-0000	COVER SUBASSEMBLY, CRANKCASE	1
E03-4	90502-1014-00	PIN	2
E03-5	11001-Z130120-0000	GASKET, CRANKCASE	1
E03-6	90682-Z130120-0000	SEAL, OIL	1
E03-7	15111HZ120110-0000	TUBE, SUCTION OIL	1
E03-8	90692-Z120210-0000	WASHER	1
E03-9	90007-0620-A1	BOLT	2
E03-10	90007-0625-A1	BOLT	2
E03-11	90502-0810-00	PIN	2
E03-12	15100-Z130110-0000	PUMP ASSY, OIL	1
E03-13	15141-Z120210-0000	COVER, OIL PUMP	1
E03-14	15161-Z130310-0000	SPRING, PRESSURE RELIEF VALVE	1
E03-15	90543-9500-00	BALL, STEEL	1
E03-16	15211-Z120120-0000	STRAINER, OIL	1
E03-17	16400-Z130210-0000	GEAR ASSY, GOVERNOR	1
E03-18	15010HZ120210-0000	DIPSTICK SUBASSEMBLY, OIL	1
E03-19	15142-Z120310-0000	GASKET, OIL PUMP	1

FIG.4 ROD,CRANKSHAFT CONNETING (E03)



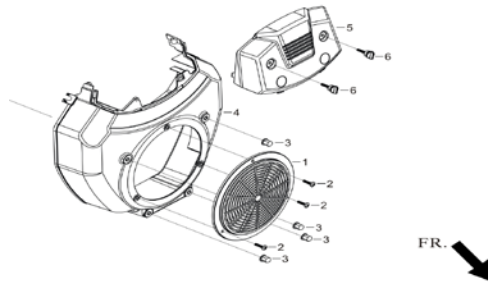
REF.NO.	PART NO	DESCRIPTION	Q'TY
E04-1	13300-Z120120-0000	CRANKSHAFT ASSY.	1
E04-3	13306-Z130110-0000	WASHER, THRUST	1
E04-4	13010-Z130210-0000	ROD, CONNECTING	2
E04-5	13111-Z130110-0000	PISTON	2
E04-6	13121-Z130110-0000	PIN, PISTON	2
E04-7	13122-Z130110-0000	CLIP, PISTON PIN	4
E04-8	13201-Z130110-0000	RING, THE FIRST	2
E04-9	13202-Z130110-0000	RING, THE SECOND	2
E04-10	13210-Z130110-0000	RING SET, OIL	2

FIG.5 TRAIN,VALVE / CAMSHAFT SUBASSEMBLY (E05)



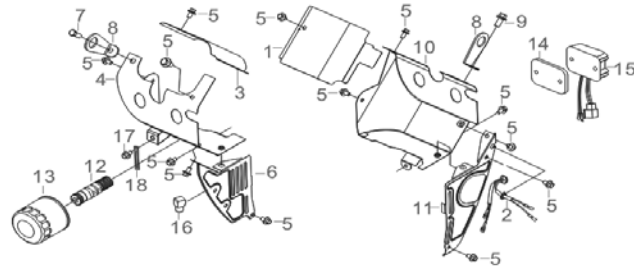
REF.NO.	PART NO	DESCRIPTION	Q'TY
E05-1	14310-Z130210-0000	ROCKER SUBASSEMBLY, VALVE	4
E05-2	14330-Z130310-0000	SHAFT, VALVE ROCKER	2
E05-3	14070-Z130210-0000	LIFTER SUBASSEMBLY, VALVE	4
E05-4	14081-Z130110-0000	TAPPET, VALVE	4
E05-5	12109-Z400110-0000	CLAMP, VALVE LOCK	8
E05-6	12112-Z400110-0000	SEAT, VALVE SPRING	4
E05-7	12103-Z130110-0000	SPRING, VALVE	4
E05-8	12101-Z080110-0000	GUIDE, SEAL	4
E05-9	12105-Z130110-0000	RETAINER, VALVE SPRING	4
E05-10	12110-Z130310-0099	VALVE	2
E05-11	14200-Z130210-0000	CAMSHAFT ASSY.	1
E05-12	14215-Z130110-0000	WASHER, CAMSHAFT	1
E05-13	14312-Z240110-0000	NUT	4

FIG.6 OUTER HOUSING (E08)



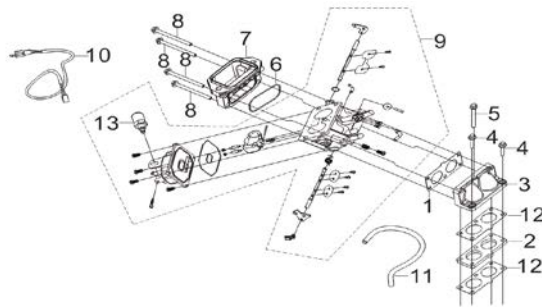
REF.NO.	PART NO	DESCRIPTION	Q'TY
E06-1	30028-Z130110-Q200	SHIELD, SHROUD	1
E06-2	90103-0508-A1	SCREW	3
E06-3	90314-Z130210-0000	NUT	4
E06-4	19330-Z130110-Q200	SHROUD ASSY.	1
E06-5	19303HZ130110-Q200	PLATE, FAN SHIELD DECORATED	1
E06-6	24540-Z130110-0000	HANDLE SUBASSEMBLY, LOCK	2

FIG.7 SHROUD, CYLINDER BODY / SHIELD,LOWER (E14)



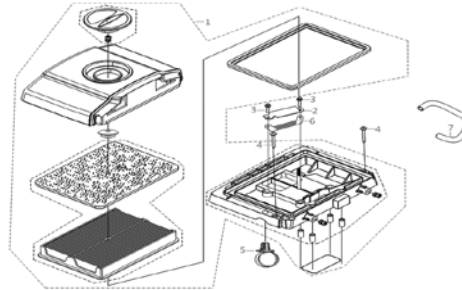
REF.NO.	PART NO	DESCRIPTION	Q'TY
E07-1	19305-Z130110-0000	SHROUD 2, CYLINDER BODY	1
E07-2	30423-Z130110-0000	CONDUCTOR, UNILATERALISM	1
E07-3	19304-Z130110-0000	SHROUD, CYLINDER BODY	1
E07-4	19340-Z130110-0000	SHIELD, LOWER	1
E07-5	90001-0610-01	BOLT	13
E07-6	19308-Z130120-0000	SHIELD, CRANKCASE SIDE	1
E07-7	90013-Z130210-0000	BOLT, HEXAGONAL FLANGE SHOULDER	1
E07-8	12008-Z130110-0000	LUG	2
E07-9	90013-Z130210-0000	BOLT, HEXAGONAL FLANGE SHOULDER	1
E07-10	19307-Z130120-0000	SHIELD	1
E07-11	19309-Z130130-0000	SHIELD	1
E07-12	15208-Z130120-0000	TUBE, OIL FILTER INSTALLATION	1
E07-13	15220-Z130120-0000	FILTER SUBASSEMBLY, OIL	1
E07-14	30052-Z120110-0000	GASKET	1
E07-15	30060-Z120310-0000	REGULATOR, VOLTAGE	1
E07-16	90722-Z120110-0000	PLUG	1
E07-17	90001-0612-01	BOLT	1
E07-18	90684-Z030120-0000	CLIP	2

FIG.8 CARBURETOR ASSY. (E11)



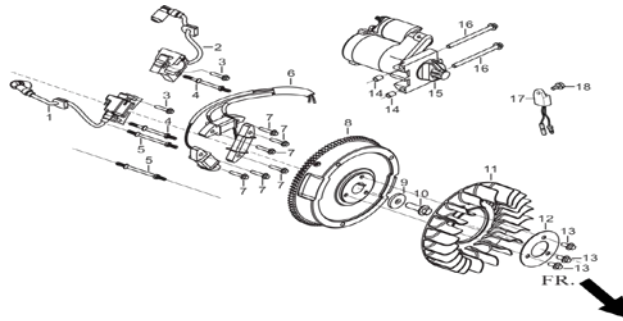
REF.NO.	PART NO	DESCRIPTION	Q'TY
E08-1	16001-Z130110-0000	GASKET, CARBURETOR	1
E08-2	16002-Z130120-0000	GASKET, CARBURETOR INSULATOR	1
E08-3	12501-Z120120-0000	JOINT, INTAKE TUBE	1
E08-4	90007-0630-A1	BOLT	2
E08-5	90007-0665-A1	BOLT	1
E08-6	90692-Z120310-0000	WASHER	1
E08-7	17112HZ120130-0001	TUBE, AIR CLEANER CONNECTING	1
E08-8	90001-0695-01	BOLT	4
E08-9	16100-Z120210-0099	CARBURETOR ASSY.	1
E08-10	35665-Z130120-0000	LINE, SOLENOID VALVE AC	1
E08-11	90686-Z030310-0000	TUBE, FUEL	1
E08-12	16001-Z130210-0000	GASKET, CARBURETOR	2
E08-13	16108-Z130110-0000	VALVE, SOLENOID	1

FIG.9 CLEANER, AIR (F02)



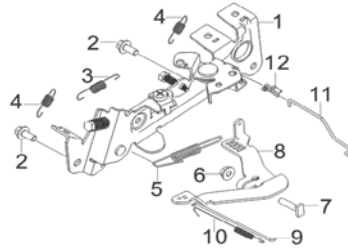
REF.NO.	PART NO	DESCRIPTION	Q'TY
E09-1	17100-Z120110-0000	CLEANER, AIR	1
E09-2	12503-Z120110-0000	COVER, INTAKE TUBE	1
E09-3	90007-0635-A1	BOLT	2
E09-4	90107-4225-51	SCREW	2
E09-5	90740-Z130120-0000	COLLAR	1
E09-6	12503-Z120210-0000	COVER, INTAKE TUBE	1
E09-7	16804-Z120110-0000	HOSE, FUEL STEAM RUBBER	1

FIG.10 FLYWHEEL / IMPELLER / STARTER PULLEY / IGNITION COIL (E15)



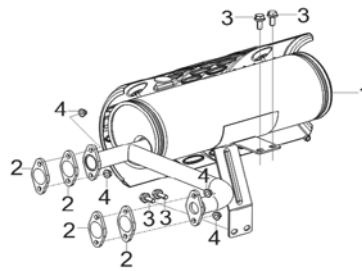
REF.NO.	PART NO	DESCRIPTION	Q'TY
E10-1	30400-Z130510-0000	COIL, IGNITION	1
E10-2	30400-Z130610-0000	COIL, IGNITION	1
E10-3	90007-0630-A1	BOLT	2
E10-4	28001-Z130110-0000	STUD	2
E10-5	28001-Z130210-0000	STUD	2
E10-6	30140-Z130210-0000	COIL SUBASSEMBLY, CHARGE	1
E10-7	90007-0635-A1	BOLT	6
E10-8	13500-Z120120-0000	FLYWHEEL ASSY.	1
E10-9	90407-Z130120-0000	WASHER	1
E10-10	13502-Z130110-0000	BOLT, FLYWHEEL	1
E10-11	19352-Z130110-0000	IMPELLER	1
E10-12	13515-Z130110-0000	TRAY, IMPELLER SETTING	1
E10-13	90001-0816-01	BOLT	3
E10-14	90502-1014-00	PIN	2
E10-15	30300-Z130120-0000	MOTOR ASSY, STARTING	1
E10-16	90001-08B0-01	BOLT	2
E10-17	37050-Z130110-0000	PROTECTOR, OIL	1
E10-18	90001-0610-01	BOLT	1

FIG.11 CONTROL ASSY, THROTTLE (E13)



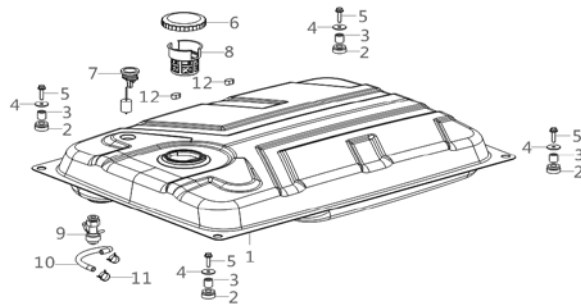
REF.NO.	PART NO	DESCRIPTION	Q'TY
E11-1	16520-Z120410-0000	CONTROL ASSY, THROTTLE	1
E11-2	90007-0616-A1	BOLT	2
E11-3	16063-Z130210-0000	SPRING, GOVERNOR	1
E11-4	16236-Z130210-0000	SPRING, CHOKE RETURN	2
E11-5	16063-Z120110-0000	SPRING, GOVERNOR	1
E11-6	90305-0600-31	NUT	1
E11-7	16072-Z010110-0000	BOLT, GOVERNOR SUPPORT	1
E11-8	16071-Z130110-0000	SUPPORT SUBASSEMBLY, GOVERNOR	1
E11-9	16062-Z120110-0000	ROD, GOVERNEOR	1
E11-10	16012-Z120210-0000	SPRING, THROTTLE VALVE RETURNING	1
E11-11	16123-Z120120-0000	ROD, CHOKE	1
E11-12	16011-Z130120-0000	CLIP, CHOKE ROD	1

FIG.12 MUFFLER ASSY. (E12)



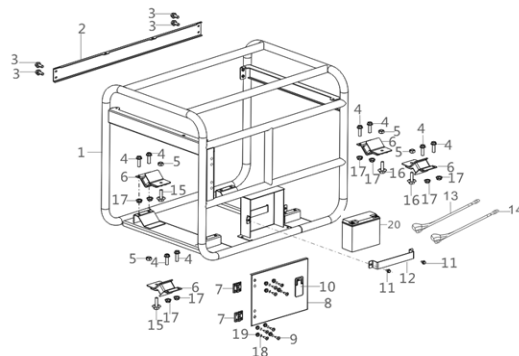
REF.NO.	PART NO	DESCRIPTION	Q'TY
E12-1	18100-Y4D0110-0000	MUFFLER ASSY.	1
E12-2	18001-Z080110-0000	GASKET, EXHAUST OUTLET	4
E12-3	90001-0816-01	BOLT	4
E12-4	90314-Z130120-0000	NUT	4

FIG.13 TANK, FUEL (E13)



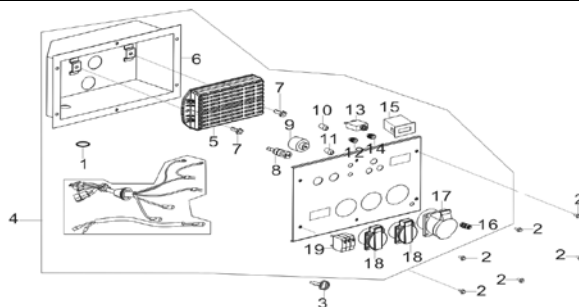
REF.NO.	PART NO	DESCRIPTION	Q'TY
E13-1	16620-Y4D0210-RW00	FUEL TANK	1
E13-2	16601-Y020120-0000	SLEEVE, OIL SUPPORTOR	4
E13-3	90683-Y020110-0000	SLEEVE	4
E13-4	90408-Y020310-0000	WASHER	4
E13-5	90007-0625-A1	BOLT	4
E13-6	16730-Y020910-H700	COVER, FUEL TANK	1
E13-7	37200-Y1Y0110-0000	GASOLINE GAUGE	1
E13-8	16652-Y5P0110-0000	FILTER, GASOLINE	1
E13-9	16750-Y400110-0000	OIL SWITCH	1
E13-10	90686-Y4D0110-0000	FUEL TUBE	1
E13-11	90685-Z020110-0000	CLAMP	2
E13-12	16602-Y020130-0000	CUSHION	2

FIG.14 FRAME, ENGINE (E14)



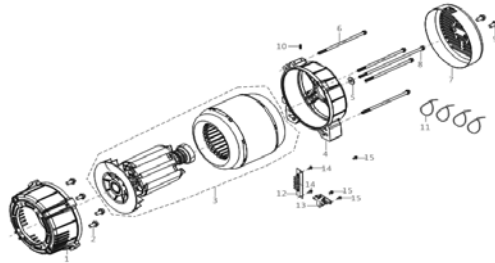
REF.NO.	PART NO	DESCRIPTION	Q'TY
E14-1	51100-Y4D0110-QC00	FRAME	1
E14-2	51170-Y4D0110-QC00	CROSS RAIL, FRAME	1
E14-3	90001-0612-01	BOLT	4
E14-4	90001-0816-01	BOLT	8
E14-5	90303-1000-31	NUT	4
E14-6	51005HY4D0110-0000	CUSHION, FRAME	4
E14-7	51041-Y400110-0000	CHAIN, FRAME PROTECTOR	2
E14-8	51025-Y4D0110-QC00	DECORATION BOARD, FRAME	1
E14-9	90104-0516-53	SCREW	8
E14-10	93113-Y4D0110-0000	KEY ASSEMBLY	1
E14-11	90007-0612-A1	BOLT	2
E14-12	31142-Y4D0110-QC00	PRESSPLATE, BATTERY	1
E14-13	31112HY4D0110-0000	POSITIVE WIRE	1
E14-14	31114HY4D0110-0000	NEGATIVE WIRE	1
E14-15	90001-1045-01	BOLT	2
E14-16	90001-1025-01	BOLT	2
E14-17	90327-0800-31	NUT	8
E14-18	90403-0500-03	WASHER, FLAT	8
E14-19	90303-0500-33	NUT	8
E14-20	31110-Y120110-0000	BATTERY	1

FIG.15 PANEL SUBASSEMBLY, CONTROL (E15)



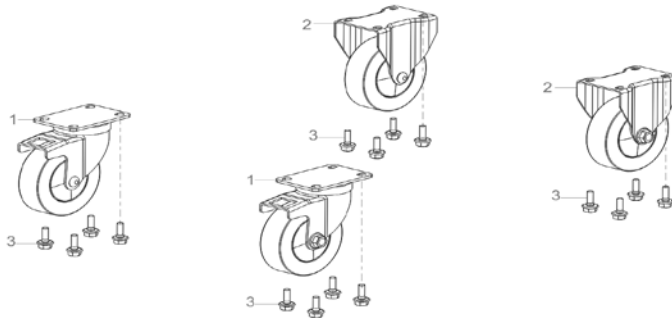
REF.NO.	PART NO	DESCRIPTION	Q'TY
E15-1	90668-0TY1500-0000	PLUG	1
E15-2	90001-0612-01	BOLT	6
E15-3	35552-Y2T0110-0000	KEY, SWITCH	1
E15-4	35610-Y9V1110-H300	CONTROL PANEL	1
E15-5	30060-Y570110-0000	VOLTAGE	1
E15-6	35601-Y4D0110-0000	HOUSING, CONTROL PANEL	1
E15-7	90001-0616-01	BOLT	2
E15-8	16080-Y400110-0000	CHOKE LOCK ASSY	1
E15-9	35160-Y2T0110-0000	SWTICH COMPONENT	1
E15-10	37018-Y900110-0000	OIL ALERT LIGHT	1
E15-11	35612-Y030110-0000	POWER LIGHT	1
E15-12	35633-Y020110-0000	Positive line column	1
E15-13	31234-Y020110-0000	PROTECTOR, OVERCURRENT	1
E15-14	35634-Y020110-0000	Negative line of column	1
E15-15	35632-Y400110-0000	TIMER	1
E15-16	35629-Y090110-0000	TERMINAL SUBASSEMBLY, GROUNDING	1
E15-17	35614-Y520110-0000	SOCKET, INDUSTRIAL	1
E15-18	35614-Y020110-0000	SOCKET, INDUSTRIAL	2
E15-19	35698-Y0X0310-0000	BREAKER	1

FIG.16 ROTOR/STATOR (E16)



REF.NO.	PART NO	DESCRIPTION	Q'TY
E16-1	30031-Y4D0110-0000	FRONT OVER	1
E16-2	90001-Y4D0110-0000	BOLT	4
E16-3	31300-Y9V0110-0000	ALTERNATOR	1
E16-4	30021-Y4D0110-0000	SUPPORT, ALTERNATOR	1
E16-5	90408-Y030110-0000	WASHER	1
E16-6	30049-Y490110-0000	BOLT	4
E16-7	30022-Y4D0110-H300	TAILER, ALTERNATOR	1
E16-8	30049-Y030120-0000	BOLT	1
E16-9	90001-0516-01	BOLT	2
E16-10	90128-0612-A6	SCREW	1
E16-11	90727-Y040110-0000	BAND	4
E16-12	31303-Y4D0110-0000	PLATE, WIRING.	1
E16-13	31320-Y4D0110-0000	BRUSH, CARBON	1
E16-14	90001-0516-01	BOLT	2
E16-15	90001-0512-01	BOLT	3

FIG.17 HANDLE/WHEEL ASSY,FRONT (E17)



REF.NO.	PART NO	DESCRIPTION	Q'TY
E17-1	40060-Y9V0110-0000	WHEEL	2
E17-2	40091HY9V0110-0000	WHEEL	2
E17-3	90001-0816-01	BOLT	16